

Distributed by:

JAMECO[®]
ELECTRONICS

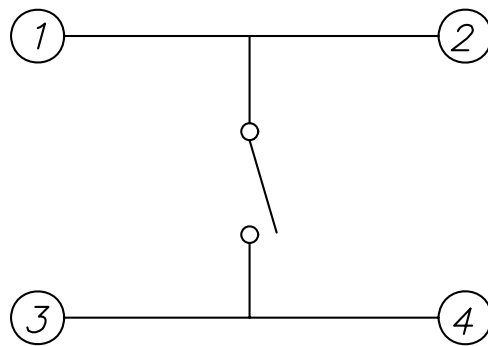
www.Jameco.com ♦ 1-800-831-4242

The content and copyrights of the attached
material are the property of its owner.

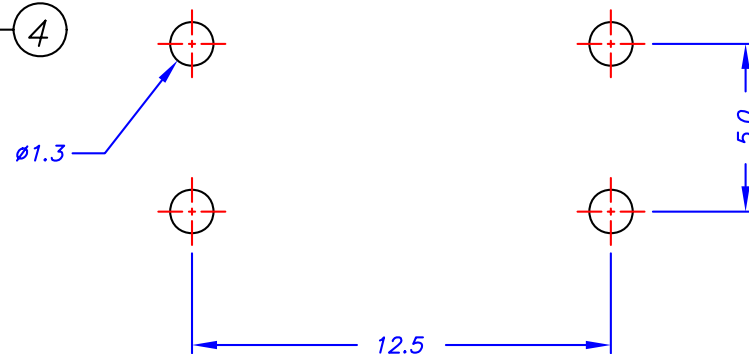
Jameco Part Number 122973

Date	Rev.	Description

Circuit Diagram

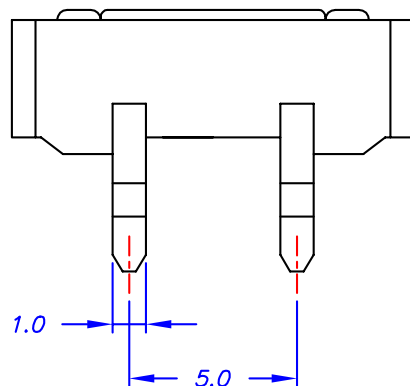
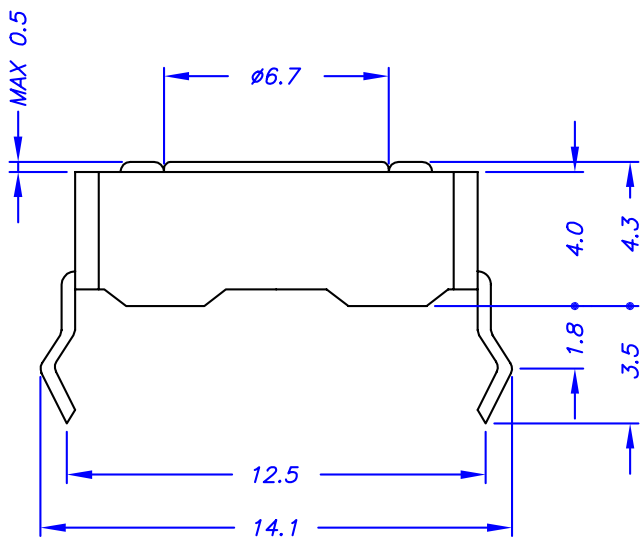
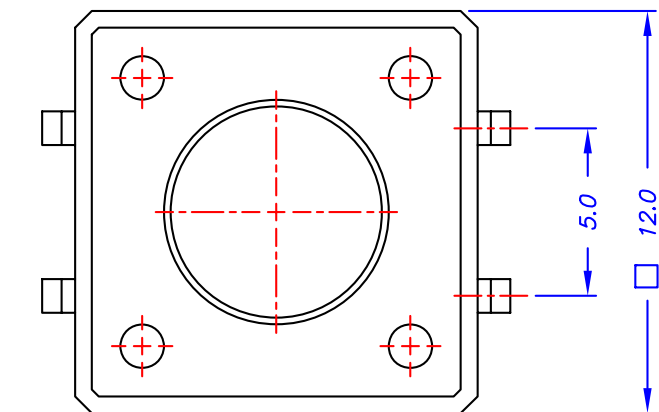


P.C.B. LAYOUT



SPECIFICATIONS:

1. Rating :DC 12V 50mA
2. Travel :0.3±0.15mm
3. Contact Resistance :100mΩ Max
4. Life:100,000 Cycles Min.
5. General Tolerance:±0.2mm.



TYPE	1	2	3
Operating Force	130±30gf	160±30gf	250±30gf

MATERIAL		GOLDSUN ELECTRONICS CO., LTD.	
DRAWN: Kiki Chen		JAMECO NO. 122973	GOLDSUN NO. DTS1212-R
VERIFY PEOPLE: Wendy Chen, Fanny Du		Description SWITCH PB SUB SPST MOM	
UNIT: mm	SCALE:	SHEET 1 OF 1	Rev. 1
		CAS No:	ERN No:

DCC. NO.
A4 DRAWING NO.