



## SPECIFICATIONS SHEET

**PRODUCT TYPE : PIEZO BUZZER**

**PRODUCT SERIES : DB-E118**

**DESCRIPTION : PZ BUZZER DUAL 24VDC PLT ABS SP RoHS**

**COLOR : BLACK**

### ELECTRICAL SPECIFICATIONS

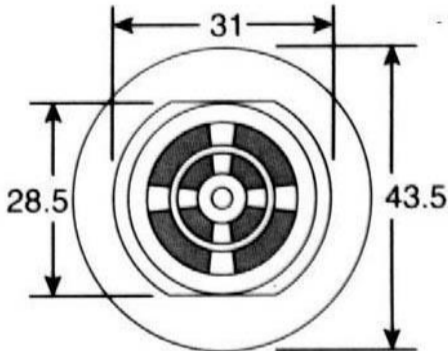
<b>MODEL NO.</b>		<b>11D3240LF - TA</b>
<b>OPERATING VOLTAGE RANGE</b>	( VDC )	4.0 ~ 28.0
<b>RATED VOLTAGE</b>	( VDC )	24.0
* <b>MAX. RATED CURRENT</b>	( mA )	30.0 / 20.0
* <b>MIN. SOUND OUTPUT</b>	( dBA / 30 cm )	85.0 / 80.0
* <b>FREQUENCY</b>	( Hz )	2900 ± 500
<b>TONE NATURE</b>		DUAL
<b>OPERATING TEMPERATURE</b>	( °C )	- 20 ~ + 60
<b>TERMINAL</b>		PLATE
<b>HOUSING MATERIAL</b>		ABS
<b>WEIGHT</b>	( g )	35.0

\* Value applying at rated voltage

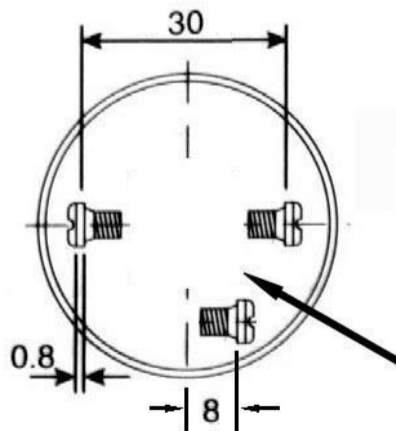
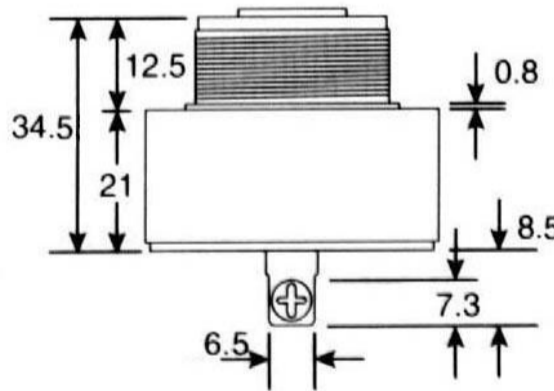
### DIMENSIONS

UNIT : mm

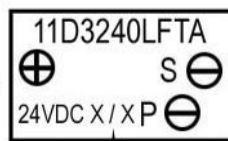
#### **TOP VIEW**



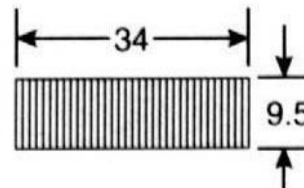
#### **SIDE VIEW**



#### **BOTTOM VIEW**



#### **NUT**



Date Code Marking  
"6 / A"  
Year - L - Month  
6 = 2006 A = Jan.

Approved By :   
Date : 24-Jan.-2006



Prepared By :   
Date : 24-Jan.-2006



Modify :	Date :	By :