

Distributed by:



www.Jameco.com ♦ 1-800-831-4242

The content and copyrights of the attached material are the property of its owner.

CLIPLITE®

LENSE MOUNTS FOR 3mm & 5mm LEDs



U.S. & Foreign Pat. Pend.

SPECIFICATIONS

- MATERIAL:** Lens - Polycarbonate; Spacer - Polypropylene. (U.L. Listed Materials).
- DESIGN:** Standard and low profile lenses with fresnel rings and striated lines. CLR 301 Low Profile Lens is available without fresnel rings.
- MOUNTING:** Mounts thru front of panel. Mounting holes should be deburred but not chamfered.
 3mm (SML 190, SMB 200) mounts in a $.171 \pm .002$ (4.34mm) hole on 1/4" centers. Panel thickness for SML 190, 1/32" to 1/16"; SMB 200, 1/16" to 1/8". 5mm (CLF 280, CLB 300, CLR 301) mounts in a $.250 \pm .002$ (6.35mm) hole on 3/8" centers. Panel thickness for CLF 280, 1/16" to 1/8"; CLB 300 and CLR 301, 1/32" to 1/4"; for panels less than 3/16", use SPC 125 spacer. Lens retaining ring - available for added security (RNG 190, 3mm & RNG 268, 5mm)

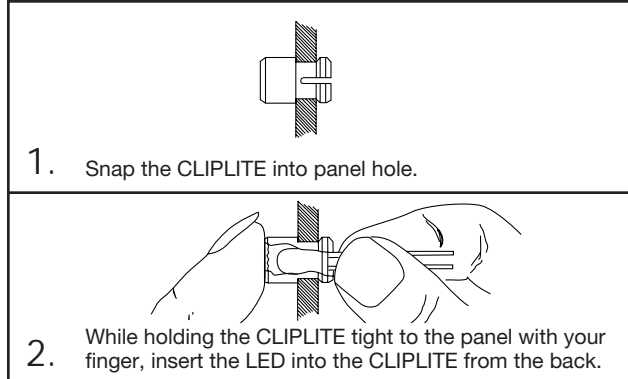
VISIBILITY – CLIPLITE produces up to 180 degrees of viewing angle using standard 3mm and 5mm LEDs.

BRIGHTNESS – CLIPLITE utilizes striated lines and fresnel rings to increase apparent brightness up to 125% and viewing angle up to 180 degrees with either diffused or nondiffused LEDs. A low profile lens without rings or lines is available for direct sunlight applications.

PROTECTION – CLIPLITE helps prevent IC failures caused by electrostatic discharge (ESD). Simply walking across a carpet can generate 10,000 volts. Introduction of this ESD thru an exposed panel mounted LED is capable of damaging or destroying a semiconductor. A CLIPLITE mounted LED helps guard components from ESD up to 16 kv while affording the LED physical protection.

INSTALLATION – CLIPLITE, standard or low profile, requires no assembly tools; just snap into a panel opening and insert LED. Cost effective operation is complete in only 6 seconds.

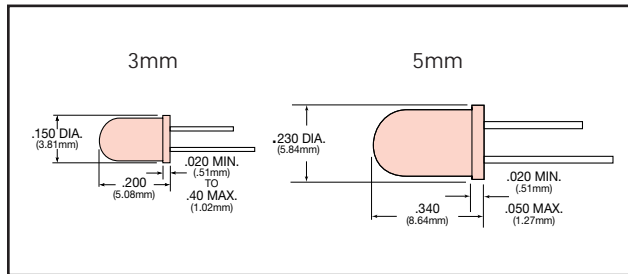
SIMPLE TWO-STEP INSTALLATION



ORDERING CODES

MODEL	CLF 280	RTP	COLOR
SML 190 (3mm) Std. Hgt.		RTP	Red Transparent
SMB 200 (3mm) L/Profile		ATP	Amber Transparent
CLF 280 (5mm) Std. Hgt.		GTP	Green Transparent
CLB 300 (5mm) L/Profile		BTP	Blue Transparent
CLR 301 (5mm) L/P Plain		YTP	Yellow Transparent
SPC 125 (Spacer for CLB 300 and CLR 301)		CTP	Clear Transparent

RECOMMENDED LEDs



OUTLINE DRAWINGS

