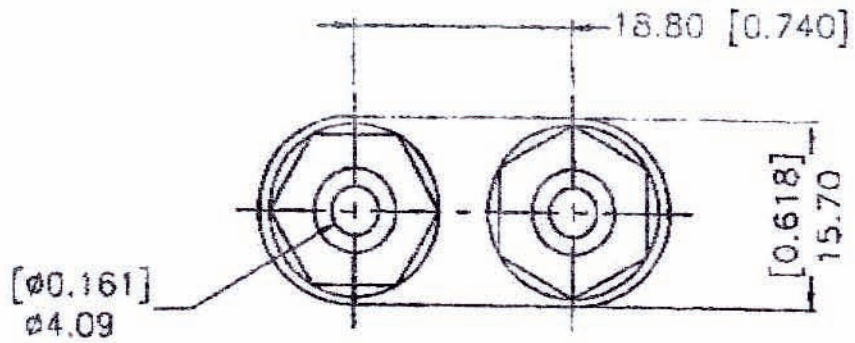
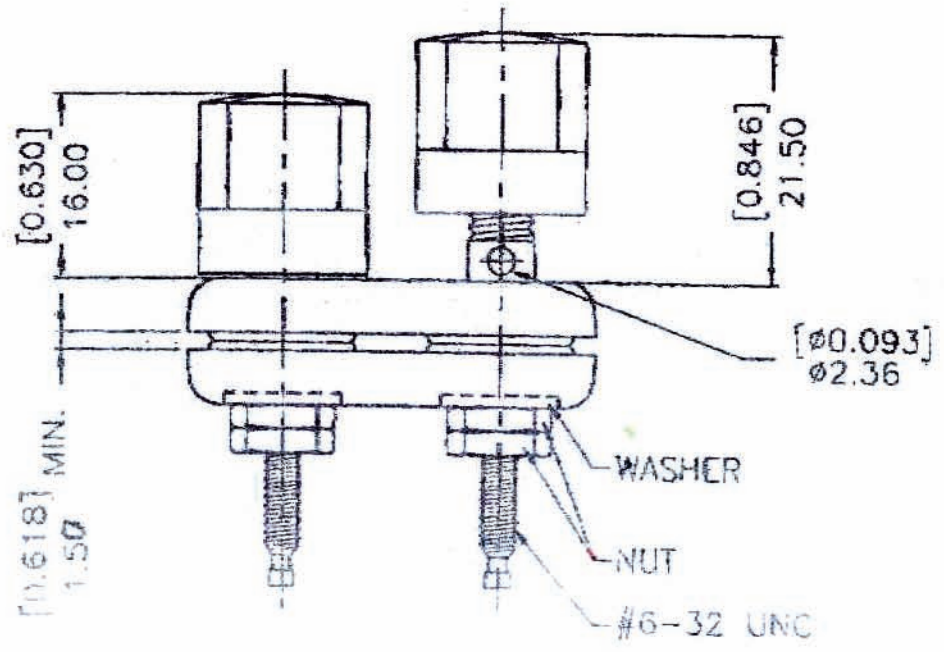


THIS DRAWING AND SPECIFICATIONS HEREIN ARE THE CONFIDENTIAL PROPERTY OF SAGAR AND SPARK. NOT BE REPRODUCED OR COPIED OR DISCLOSED IN WHOLE OR IN PART WITHOUT WRITTEN PERMISSION.



COLOR
RED
BLACK
BLACK/RED



- Material:
1. Insulator: Nylon
 2. Body: Brass, Nickel-Plated
 3. Nut: Brass, Nickel-Plated
 4. Washer: Steel, Nickel-plated

GOLDSUN ELECTRONICS CO., LTD.			
JAMECO NO.	125197	GOLDSUN NO.	HT-2874-A
Description	DOUBLE BANANA BINDIN POST		Rev. 1
UNIT: mm	SCALE:	SHEET 1 OF 1	CAS No: ERN No: