

Distributed by:

JAMECO[®]
ELECTRONICS

www.Jameco.com ♦ 1-800-831-4242

The content and copyrights of the attached
material are the property of its owner.

Jameco Part Number 12562FSC

CD4001BC/CD4011BC

Quad 2-Input NOR Buffered B Series Gate • Quad 2-Input NAND Buffered B Series Gate

General Description

The CD4001BC and CD4011BC quad gates are monolithic complementary MOS (CMOS) integrated circuits constructed with N- and P-channel enhancement mode transistors. They have equal source and sink current capabilities and conform to standard B series output drive. The devices also have buffered outputs which improve transfer characteristics by providing very high gain.

All inputs are protected against static discharge with diodes to V_{DD} and V_{SS} .

Features

- Low power TTL:
 - Fan out of 2 driving 74L compatibility: or 1 driving 74LS
- 5V–10V–15V parametric ratings
- Symmetrical output characteristics
- Maximum input leakage 1 μ A at 15V over full temperature range

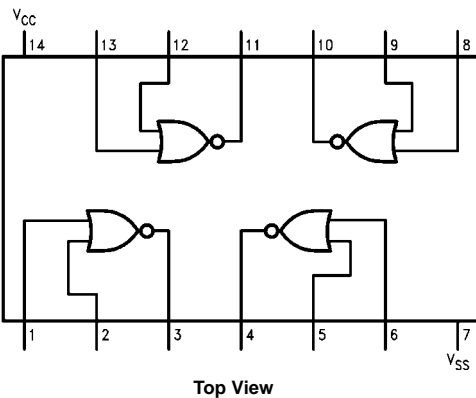
Ordering Code:

| Order Number | Package Number | Package Description |
|--------------|----------------|--|
| CD4001BCM | M14A | 14-Lead Small Outline Integrated Circuit (SOIC), JEDEC MS-120, 0.150" Narrow |
| CD4001BCSJ | M14D | 14-Lead Small Outline Package (SOP), EIAJ TYPE II, 5.3mm Wide |
| CD4001BCN | N14A | 14-Lead Plastic Dual-In-Line Package (PDIP), JEDEC MS-001, 0.300" Wide |
| CD4011BCM | M14A | 14-Lead Small Outline Integrated Circuit (SOIC), JEDEC MS-120, 0.150" Narrow |
| CD4011BCN | N14A | 14-Lead Plastic Dual-In-Line Package (PDIP), JEDEC MS-001, 0.300" Wide |

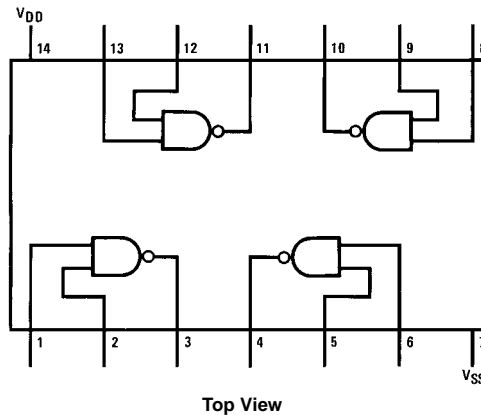
Devices also available in Tape and Reel. Specify by appending the suffix letter "X" to the ordering code.

Connection Diagrams

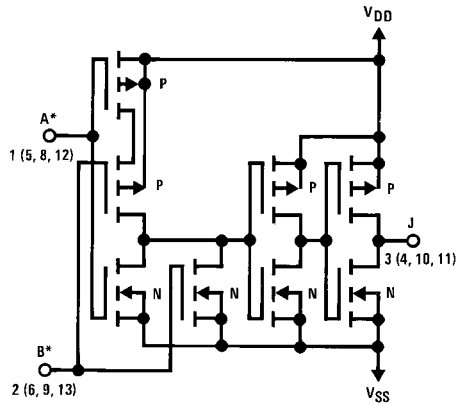
Pin Assignments for DIP, SOIC and SOP
CD4001BC



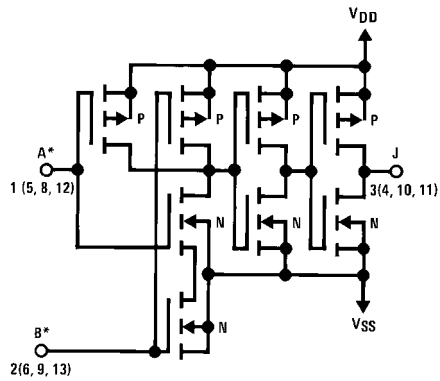
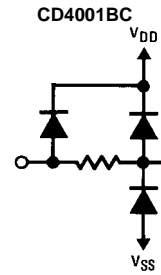
Pin Assignments for DIP and SOIC
CD4011BC



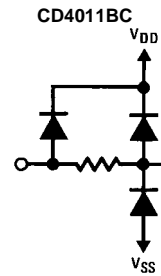
Schematic Diagrams



$1/4$ of device shown
 $J = A^* + B^*$
 Logical "1" = HIGH
 Logical "0" = LOW
 All inputs protected by standard
 CMOS protection circuit.



$1/4$ of device shown
 $J = A^* \cdot B^*$
 Logical "1" = HIGH
 Logical "0" = LOW
 All inputs protected by standard
 CMOS protection circuit.



| Absolute Maximum Ratings (Note 1) | | Recommended Operating Conditions | |
|-----------------------------------|-------------------------------|--|---------------------------|
| (Note 2) | | | |
| Voltage at any Pin | -0.5V to $V_{DD} + 0.5V$ | Operating Range (V_{DD}) | $3 V_{DC}$ to $15 V_{DC}$ |
| Power Dissipation (P_D) | | Operating Temperature Range | |
| Dual-In-Line | 700 mW | CD4001BC, CD4011BC | -40°C to +85°C |
| Small Outline | 500 mW | | |
| V_{DD} Range | -0.5 V_{DC} to +18 V_{DC} | Note 1: "Absolute Maximum Ratings" are those values beyond which the safety of the device cannot be guaranteed. Except for "Operating Temperature Range" they are not meant to imply that the devices should be operated at these limits. The Electrical Characteristics tables provide conditions for actual device operation. | |
| Storage Temperature (T_S) | -65°C to +150°C | Note 2: All voltages measured with respect to V_{SS} unless otherwise specified. | |
| Lead Temperature (T_L) | | | |
| (Soldering, 10 seconds) | 260°C | | |

DC Electrical Characteristics (Note 2)

| Symbol | Parameter | Conditions | -40°C | | +25°C | | | +85°C | | Units |
|----------|------------------------------------|---|-------|-------|-------|------------|-------|-------|------|---------|
| | | | Min | Max | Min | Typ | Max | Min | Max | |
| I_{DD} | Quiescent Device Current | $V_{DD} = 5V, V_{IN} = V_{DD}$ or V_{SS} | | 1 | | 0.004 | 1 | | 7.5 | μA |
| | | $V_{DD} = 10V, V_{IN} = V_{DD}$ or V_{SS} | | 2 | | 0.005 | 2 | | 15 | μA |
| | | $V_{DD} = 15V, V_{IN} = V_{DD}$ or V_{SS} | | 4 | | 0.006 | 4 | | 30 | μA |
| V_{OL} | LOW Level Output Voltage | $V_{DD} = 5V$ | | 0.05 | | 0 | 0.05 | | 0.05 | V |
| | | $V_{DD} = 10V, I_O < 1 \mu A$ | | 0.05 | | 0 | 0.05 | | 0.05 | V |
| | | $V_{DD} = 15V$ | | 0.05 | | 0 | 0.05 | | 0.05 | V |
| V_{OH} | HIGH Level Output Voltage | $V_{DD} = 5V$ | 4.95 | | 4.95 | 5 | | 4.95 | | V |
| | | $V_{DD} = 10V, I_O < 1 \mu A$ | 9.95 | | 9.95 | 10 | | 9.95 | | V |
| | | $V_{DD} = 15V$ | 14.95 | | 14.95 | 15 | | 14.95 | | V |
| V_{IL} | LOW Level Input Voltage | $V_{DD} = 5V, V_O = 4.5V$ | | 1.5 | | 2 | 1.5 | | 1.5 | V |
| | | $V_{DD} = 10V, V_O = 9.0V$ | | 3.0 | | 4 | 3.0 | | 3.0 | V |
| | | $V_{DD} = 15V, V_O = 13.5V$ | | 4.0 | | 6 | 4.0 | | 4.0 | V |
| V_{IH} | HIGH Level Input Voltage | $V_{DD} = 5V, V_O = 0.5V$ | 3.5 | | 3.5 | 3 | | 3.5 | | V |
| | | $V_{DD} = 10V, V_O = 1.0V$ | 7.0 | | 7.0 | 6 | | 7.0 | | V |
| | | $V_{DD} = 15V, V_O = 1.5V$ | 11.0 | | 11.0 | 9 | | 11.0 | | V |
| I_{OL} | LOW Level Output Current (Note 3) | $V_{DD} = 5V, V_O = 0.4V$ | 0.52 | | 0.44 | 0.88 | | 0.36 | | mA |
| | | $V_{DD} = 10V, V_O = 0.5V$ | 1.3 | | 1.1 | 2.25 | | 0.9 | | mA |
| | | $V_{DD} = 15V, V_O = 1.5V$ | 3.6 | | 3.0 | 8.8 | | 2.4 | | mA |
| I_{OH} | HIGH Level Output Current (Note 3) | $V_{DD} = 5V, V_O = 4.6V$ | -0.52 | | -0.44 | -0.88 | | -0.36 | | mA |
| | | $V_{DD} = 10V, V_O = 9.5V$ | -1.3 | | -1.1 | -2.25 | | -0.9 | | mA |
| | | $V_{DD} = 15V, V_O = 13.5V$ | -3.6 | | -3.0 | -8.8 | | -2.4 | | mA |
| I_{IN} | Input Current | $V_{DD} = 15V, V_{IN} = 0V$ | | -0.30 | | -10^{-5} | -0.30 | | -1.0 | μA |
| | | $V_{DD} = 15V, V_{IN} = 15V$ | | 0.30 | | 10^{-5} | 0.30 | | 1.0 | μA |

Note 3: I_{OL} and I_{OH} are tested one output at a time.

AC Electrical Characteristics (Note 4)

CD4001BC: $T_A = 25^\circ C$, Input t_r ; $t_f = 20$ ns. $C_L = 50$ pF, $R_L = 200k$. Typical temperature coefficient is 0.3%/°C.

| Symbol | Parameter | Conditions | Typ | Max | Units |
|--------------------|---|----------------|-----|-----|-------|
| t_{PHL} | Propagation Delay Time, HIGH-to-LOW Level | $V_{DD} = 5V$ | 120 | 250 | ns |
| | | $V_{DD} = 10V$ | 50 | 100 | ns |
| | | $V_{DD} = 15V$ | 35 | 70 | ns |
| t_{PLH} | Propagation Delay Time, LOW-to-HIGH Level | $V_{DD} = 5V$ | 110 | 250 | ns |
| | | $V_{DD} = 10V$ | 50 | 100 | ns |
| | | $V_{DD} = 15V$ | 35 | 70 | ns |
| t_{THL}, t_{TLH} | Transition Time | $V_{DD} = 5V$ | 90 | 200 | ns |
| | | $V_{DD} = 10V$ | 50 | 100 | ns |
| | | $V_{DD} = 15V$ | 40 | 80 | ns |
| C_{IN} | Average Input Capacitance | Any Input | 5 | 7.5 | pF |
| C_{PD} | Power Dissipation Capacity | Any Gate | 14 | | pF |

Note 4: AC Parameters are guaranteed by DC correlated testing.

AC Electrical Characteristics (Note 5)

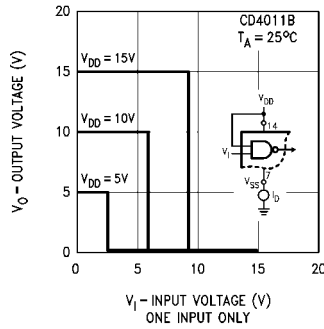
CD4011BC: $T_A = 25^\circ\text{C}$, Input $t_r, t_f = 20$ ns. $C_L = 50$ pF, $R_L = 200\text{k}$. Typical Temperature Coefficient is $0.3\%/^\circ\text{C}$.

| Symbol | Parameter | Conditions | Typ | Max | Units |
|--------------------|---|-----------------------|-----|-----|-------|
| t_{PHL} | Propagation Delay, HIGH-to-LOW Level | $V_{DD} = 5\text{V}$ | 120 | 250 | ns |
| | | $V_{DD} = 10\text{V}$ | 50 | 100 | ns |
| | | $V_{DD} = 15\text{V}$ | 35 | 70 | ns |
| t_{PLH} | Propagation Delay, LOW-to-HIGH Level | $V_{DD} = 5\text{V}$ | 85 | 250 | ns |
| | | $V_{DD} = 10\text{V}$ | 40 | 100 | ns |
| | | $V_{DD} = 15\text{V}$ | 30 | 70 | ns |
| t_{THL}, t_{TLH} | Transition Time | $V_{DD} = 5\text{V}$ | 90 | 200 | ns |
| | | $V_{DD} = 10\text{V}$ | 50 | 100 | ns |
| | | $V_{DD} = 15\text{V}$ | 40 | 80 | ns |
| C_{IN} | Average Input Capacitance | Any Input | 5 | 7.5 | pF |
| C_{PD} | Power Dissipation Capacity | Any Gate | 14 | | pF |

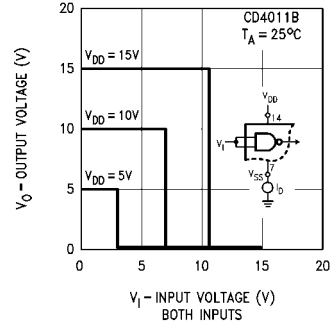
Note 5: AC Parameters are guaranteed by DC correlated testing.

Typical Performance Characteristics

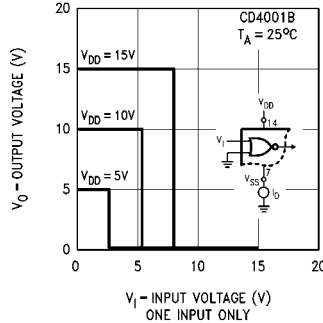
Typical Transfer Characteristics



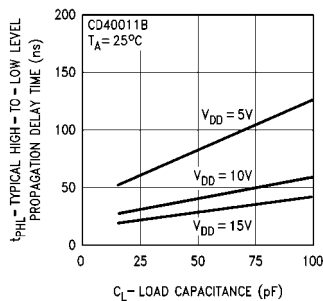
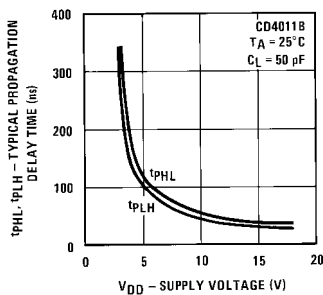
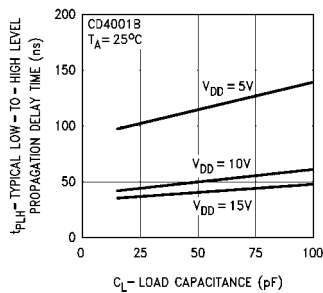
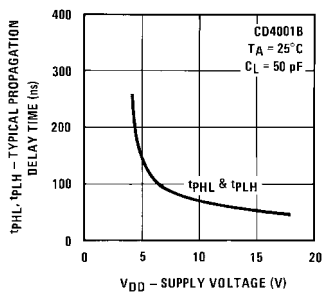
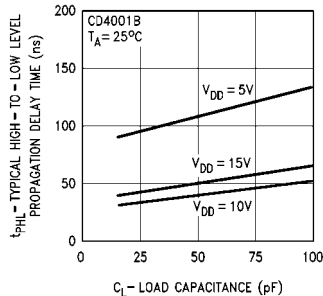
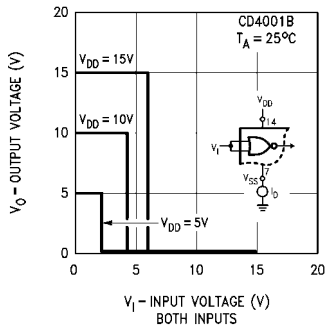
Typical Transfer Characteristics



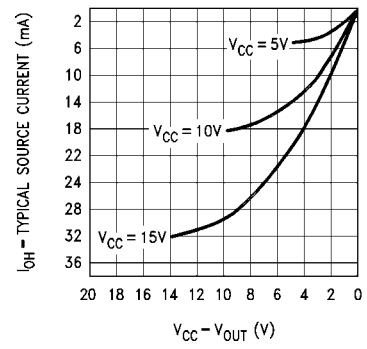
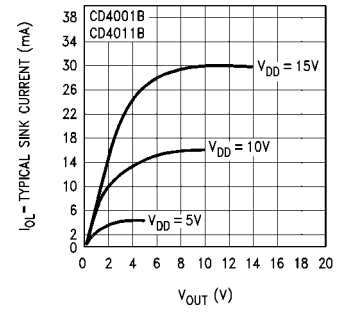
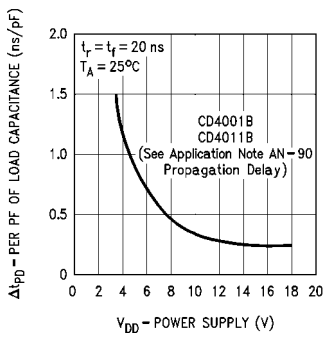
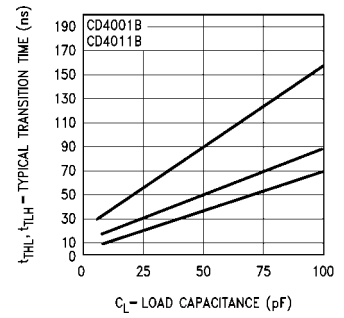
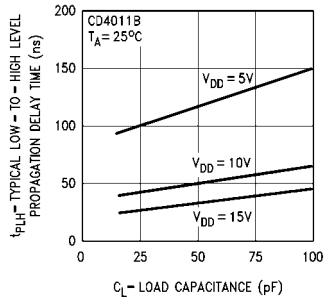
Typical Transfer Characteristics



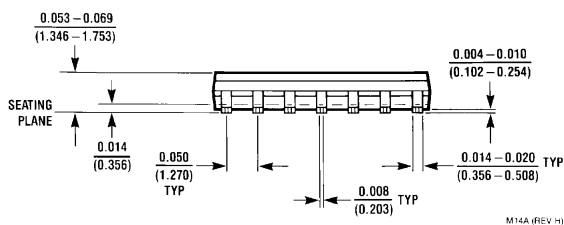
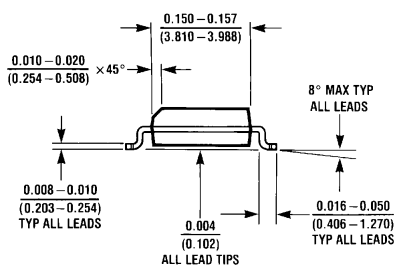
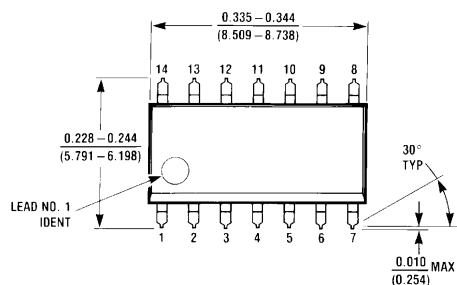
Typical Transfer Characteristics



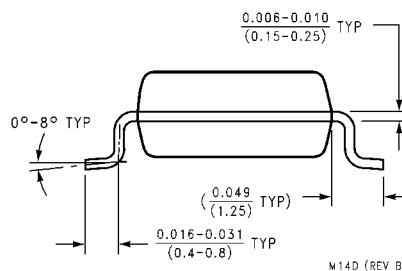
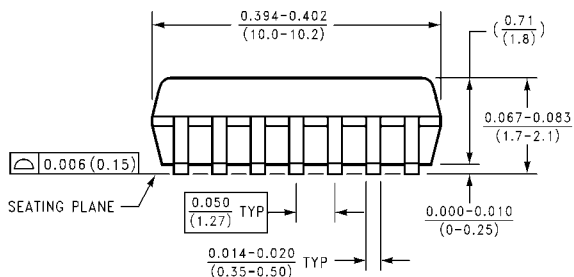
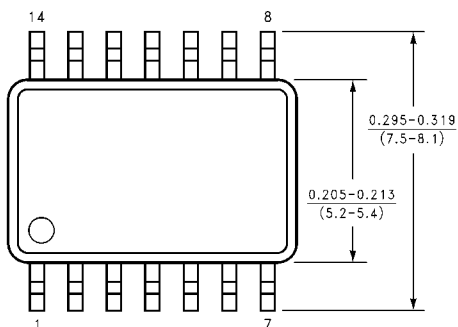
CD4001BC/CD4011BC



Physical Dimensions inches (millimeters) unless otherwise noted

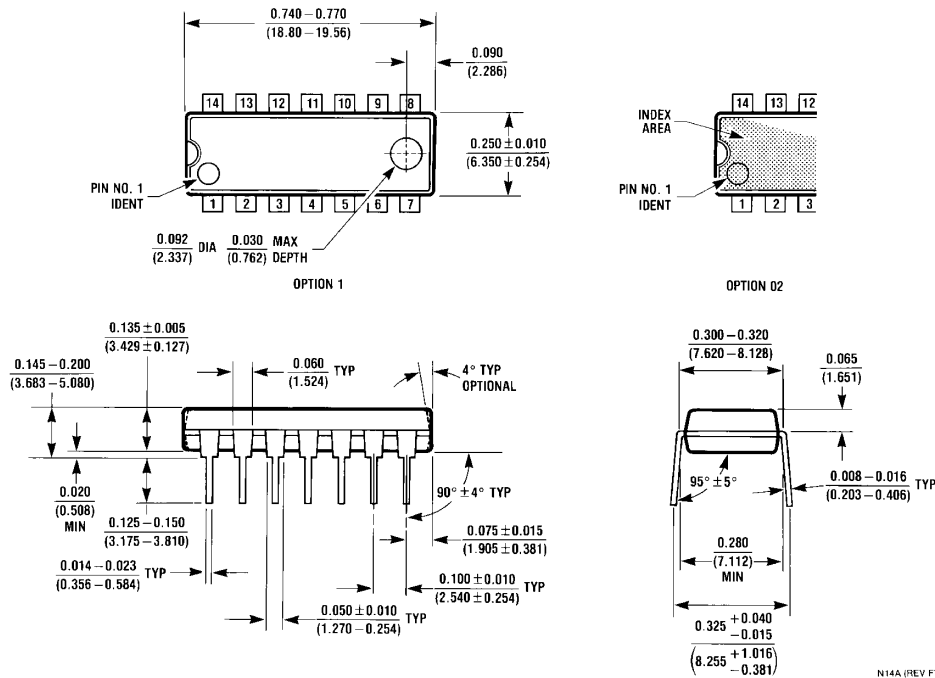


**14-Lead Small Outline Integrated Circuit (SOIC), JEDEC MS-120, 0.150" Narrow
Package Number M14A**



**14-Lead Small Outline Package (SOP), EIAJ TYPE II, 5.3mm Wide
Package Number M14D**

Physical Dimensions inches (millimeters) unless otherwise noted (Continued)



14-Lead Plastic Dual-In-Line Package (PDIP), JEDEC MS-001, 0.300" Wide Package Number N14A

LIFE SUPPORT POLICY

FAIRCHILD'S PRODUCTS ARE NOT AUTHORIZED FOR USE AS CRITICAL COMPONENTS IN LIFE SUPPORT DEVICES OR SYSTEMS WITHOUT THE EXPRESS WRITTEN APPROVAL OF THE PRESIDENT OF FAIRCHILD SEMICONDUCTOR CORPORATION. As used herein:

1. Life support devices or systems are devices or systems which, (a) are intended for surgical implant into the body, or (b) support or sustain life, and (c) whose failure to perform when properly used in accordance with instructions for use provided in the labeling, can be reasonably expected to result in a significant injury to the user.
2. A critical component in any component of a life support device or system whose failure to perform can be reasonably expected to cause the failure of the life support device or system, or to affect its safety or effectiveness.

www.fairchildsemi.com