

Distributed by:

**JAMECO**<sup>®</sup>  
ELECTRONICS

**www.Jameco.com ♦ 1-800-831-4242**

The content and copyrights of the attached  
material are the property of its owner.

Jameco Part Number 12706INTERSIL

## CMOS Dual 4-Stage Static Shift Register With Serial Input/Parallel Output

Intersil's Satellite Applications Flow™ (SAF) devices are fully tested and guaranteed to 100kRAD total dose. These QML Class T devices are processed to a standard flow intended to meet the cost and shorter lead-time needs of large volume satellite manufacturers, while maintaining a high level of reliability.

CD4015BT consists of two identical, independent, 4-stage serial-input/parallel output registers. Each register has independent CLOCK and RESET inputs as well as a single serial DATA input. "Q" outputs are available from each of the four stages on both registers. All register stages are D type, master-slave flip-flops. The logic level present at the DATA input is transferred into the first register stage and shifted over one stage at each positive-going clock transition. Resetting of all stages is accomplished by a high level on the reset line. Register expansion to 8 stages using one CD4015BT, or to more than 8 stages using additional CD4015BT's is possible.

### Specifications

Specifications for Rad Hard QML devices are controlled by the Defense Supply Center in Columbus (DSCC). The SMD numbers listed below must be used when ordering.

**Detailed Electrical Specifications for the CD4015BT are contained in SMD 5962-96624.** A "hot-link" is provided from our website for downloading.

[www.intersil.com/spacedefense/newsafclasst.asp](http://www.intersil.com/spacedefense/newsafclasst.asp)

Intersil's Quality Management Plan (QM Plan), listing all Class T screening operations, is also available on our website.

[www.intersil.com/quality/manuals.asp](http://www.intersil.com/quality/manuals.asp)

### Ordering Information

ORDERING NUMBER	PART NUMBER	TEMP. RANGE (°C)
5962R9662401TEC	CD4015BDTR	-55 to 125
5962R9662401TXC	CD4015BKTR	-55 to 125

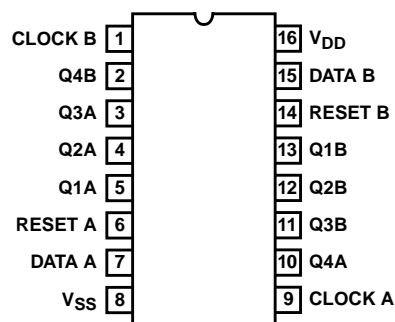
NOTE: **Minimum order quantity for -T is 150 units through distribution, or 450 units direct.**

### Features

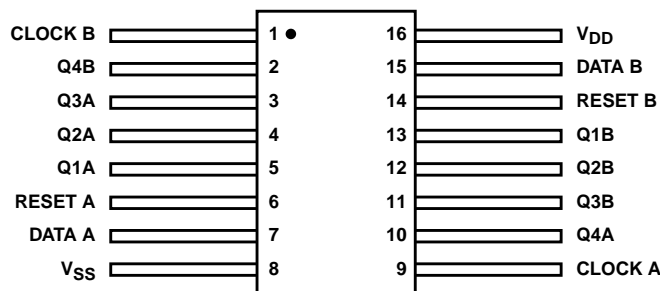
- QML Class T, Per MIL-PRF-38535
- Radiation Performance
  - Gamma Dose ( $\gamma$ )  $1 \times 10^5$  RAD(Si)
  - SEP Effective LET  $> 75$  MEV/gm/cm<sup>2</sup>
- Medium Speed Operation 12MHz (typ.) Clock Rate at V<sub>DD</sub>
  - V<sub>SS</sub> = 10V
- Fully Static Operation
- 8 Master-Slave Flip-Flops Plus Input and Output Buffering
- 100% Tested For Quiescent Current at 20V
- 5V, 10V and 15V Parametric Ratings
- Standardized Symmetrical Output Characteristics

### Pinouts

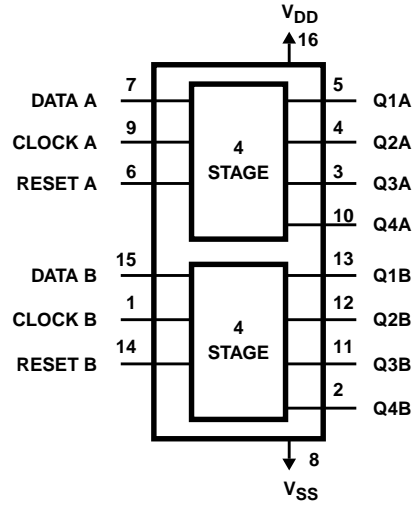
**CD4015BT (SBDIP), CDIP2-T16**  
TOP VIEW



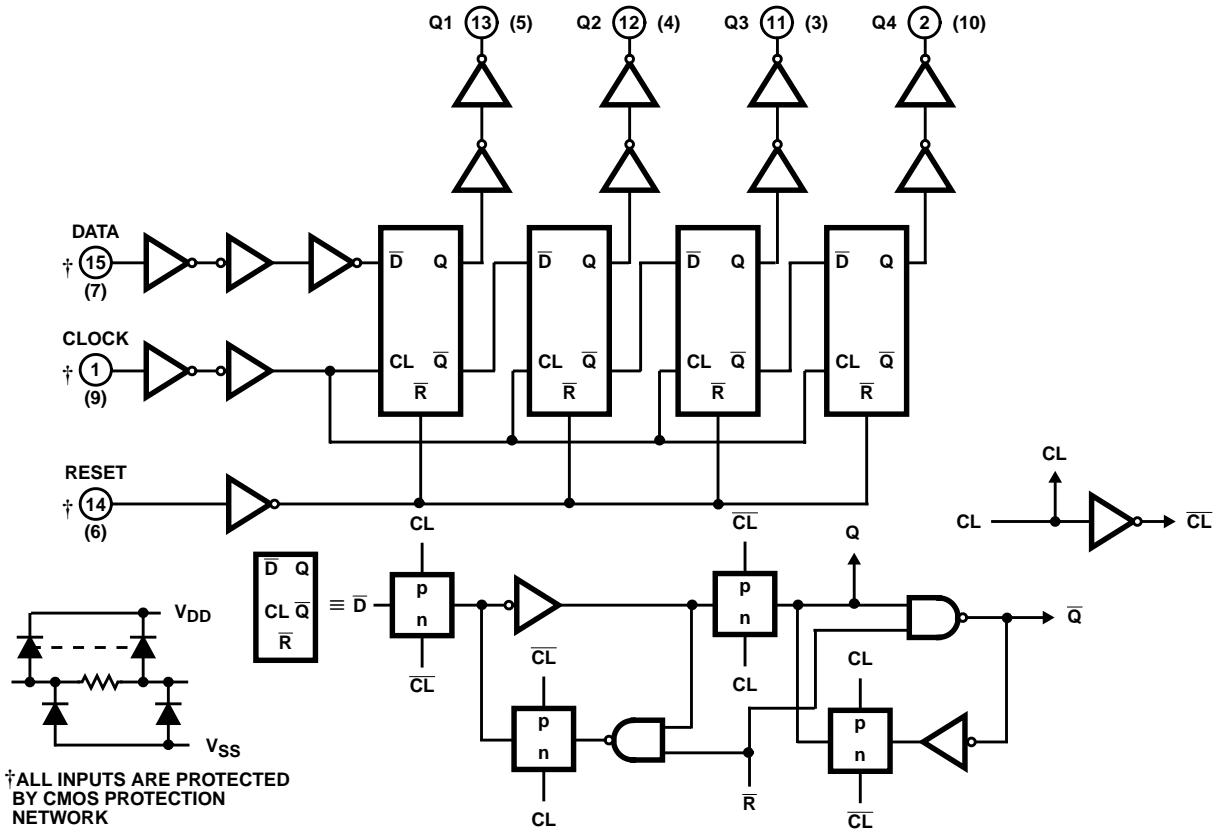
**CD4015BT (FLATPACK), CDFP4-F16**  
TOP VIEW



Functional Diagram



Logic Diagram



TRUTH TABLE

CL	D	R	Q1	Qn	
	0	0	0	Qn-1	
	1	0	1	Qn-1	
	X	0	Q1	Qn	(No Change)
X	X	1	0	0	

X = Don't care Case

# CD4015BT

## Die Characteristics

### DIE DIMENSIONS:

(2032 $\mu\text{m}$  x 2489 $\mu\text{m}$  x 533 $\mu\text{m}$   $\pm$ 25.4 $\mu\text{m}$ )  
80 x 98 x 21mils  $\pm$ 1mil

### METALLIZATION:

Type: Al  
Thickness: 12.5k $\text{\AA}$   $\pm$ 1.5k $\text{\AA}$

### SUBSTRATE POTENTIAL:

Leave Floating or Tie to  $V_{DD}$ ; Bond Pad #16 ( $V_{DD}$ ) First

### BACKSIDE FINISH:

Silicon

### PASSIVATION:

Type: Phosphorus Doped Silox ( $\text{SiO}_2$ )  
Thickness: 13k $\text{\AA}$   $\pm$ 2.6k $\text{\AA}$

### WORST CASE CURRENT DENSITY:

$< 2.0\text{e}5 \text{ A/cm}^2$

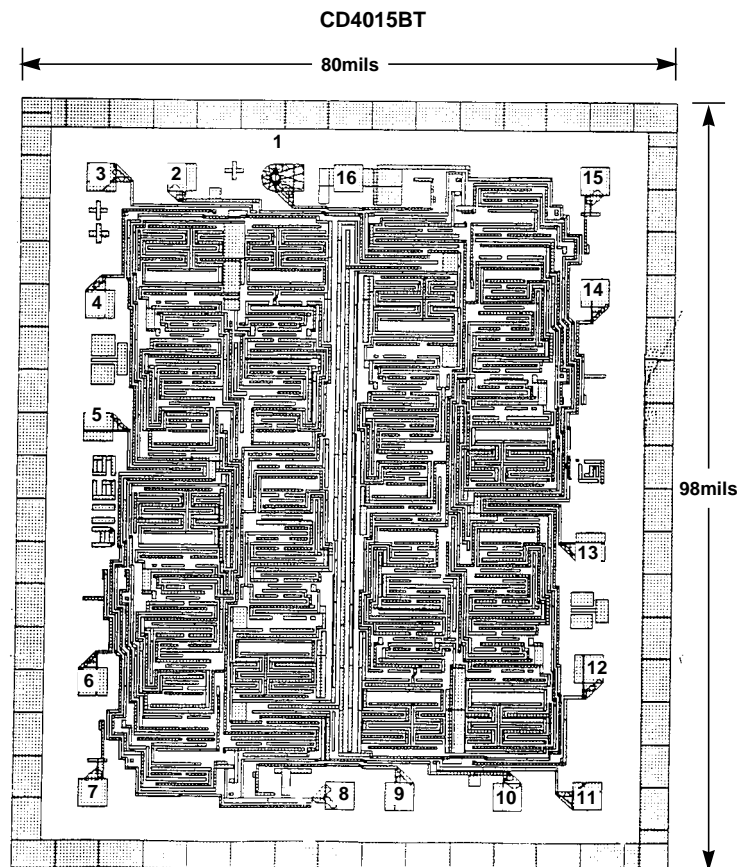
### TRANSISTOR COUNT:

60

### PROCESS:

Bulk CMOS

## Metallization Mask Layout



All Intersil semiconductor products are manufactured, assembled and tested under **ISO9000** quality systems certification.

*Intersil semiconductor products are sold by description only. Intersil Corporation reserves the right to make changes in circuit design and/or specifications at any time without notice. Accordingly, the reader is cautioned to verify that data sheets are current before placing orders. Information furnished by Intersil is believed to be accurate and reliable. However, no responsibility is assumed by Intersil or its subsidiaries for its use; nor for any infringements of patents or other rights of third parties which may result from its use. No license is granted by implication or otherwise under any patent or patent rights of Intersil or its subsidiaries.*

For information regarding Intersil Corporation and its products, see web site <http://www.intersil.com>

This datasheet has been downloaded from:

[www.DatasheetCatalog.com](http://www.DatasheetCatalog.com)

Datasheets for electronic components.