

Distributed by:

**JAMECO**<sup>®</sup>  
ELECTRONICS

**www.Jameco.com ♦ 1-800-831-4242**

The content and copyrights of the attached  
material are the property of its owner.

Jameco Part Number 1299041

DWG. NO. SD-35362-002

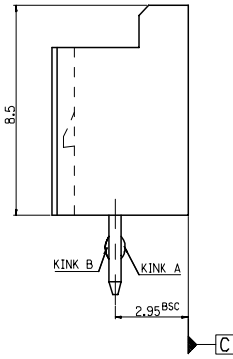
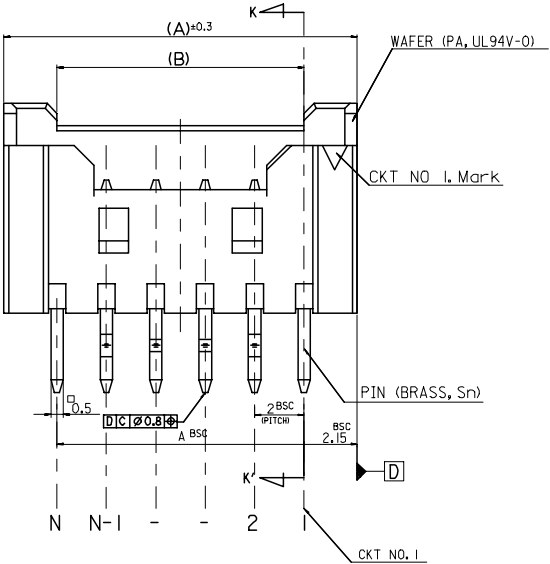
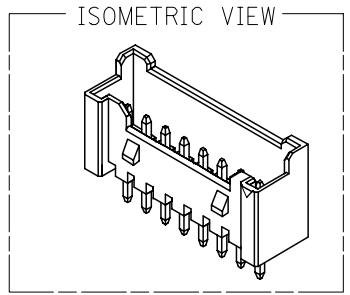
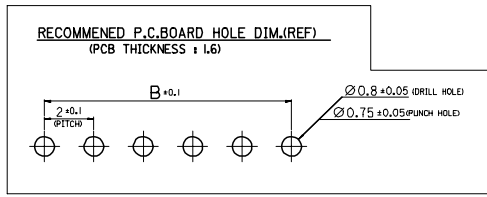
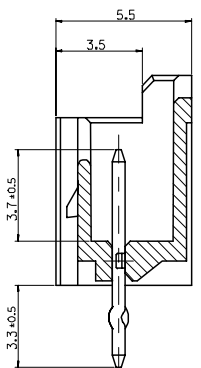
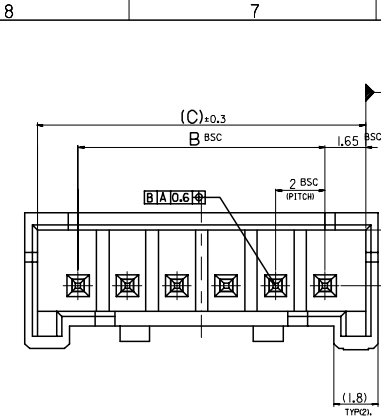
SIMILAR ITEM

PROJECT NO.

C

B

DO NOT SCALE DRAWING DIMENSION IN METRIC



**LEGEND**

SD-35362-\*\*\*\*

CTKT NO. COLOR

- 0 : NATURAL
- 1 : BLACK
- 2 : RED
- 3 : YELLOW
- 4 : BLUE
- 5 : GREEN
- 6 : TUBE PACKING (Natural Color)
- 7 : TUBE PACKING (Red Color)
- 8 : TUBE PACKING (Blue Color)

FINAL GOOD (BULK)

- 5 : SELECTIVE KINK (LEAD FREE)
- 6 : NONE KINK (LEAD FREE)

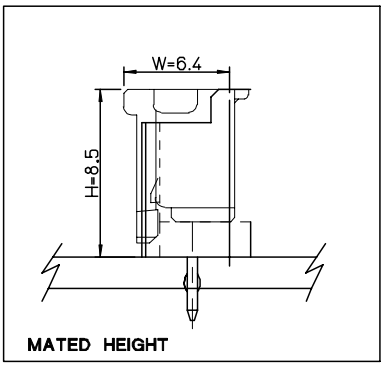
SUB ASSY (TUBE)

- 7 : SELECTIVE KINK (LEAD FREE)
- 8 : NONE KINK (LEAD FREE)

- NOTES**
- MATERIAL : WAFER : POLYAMIDE(PA), NO GLASS, UL94V-0 . NATURAL COLOR  
PIN : BRASS . TIN PLATED
  - FINISHES : TERMINAL : Sn 2~3um OVERALL
  - PRODUCT SPECIFICATION : PS-35507-003
  - MATING HOUSING : 35507-\*\*0\*  
MATING TERMINAL : 50212-8000
  - KINK

CTKT NO	1	2	3	4	5	N-2	N-1	N
6 CKT OVER	-	A	B	-	-	B	A	-
5 CKT	A	B	-	B	A			
4 CKT	A	B	B	A				

31.3	28	32.3	3536215**	35362-15**	I5
29.3	26	30.3	3536214**	35362-14**	I4
27.3	24	28.3	3536213**	35362-13**	I3
25.3	22	26.3	3536212**	35362-12**	I2
23.3	20	24.3	3536211**	35362-11**	I1
21.3	18	22.3	3536210**	35362-10**	I0
19.3	16	20.3	3536209**	35362-09**	9
17.3	14	18.3	3536208**	35362-08**	8
15.3	12	16.3	3536207**	35362-07**	7
13.3	10	14.3	3536206**	35362-06**	6
12.3	8	12.3	3536205**	35362-05**	5
9.3	6	10.3	3536204**	35362-04**	4
(C)	B	(A)	ENG. NO.	ENG. NO.	CKT



**LEAD FREE**

30 over	±0.3
10 over 30 under	±0.25
10 under	±0.2
ANGLE	±3°
GENERAL TOLERANCE	

REVISED

EC NO. KOR 2005-0186

DRWN: K.S.Kim 05/04/18

CHK: Y.Soo.Kim 05/04/18

APPR: CWLEE

**B**

DESCRIPTION

REVISION SYMBOLS

MAJOR =

CRITICAL =

REVISION C =

GENERAL TOLERANCES: (UNLESS SPECIFIED)

	mm	INCH
4 PLACES	±0.	±.
3 PLACES	±0.	±.
2 PLACES	±0.	±.
1 PLACE	±0.	±.
ANGULAR: ±		

DRAFT WHERE APPLICABLE MUST REMAIN WITHIN DIMENSIONS

SCALE 1:1

DESIGN UNITS  MM  INCH

THIRD ANGLE PROJECTION

DRAWN BY & DATE  
YSOOKIM 96/09/11

CHECKED BY & DATE  
YSOOKIM 96/09/11

APPROVED BY & DATE  
C.W.Lee 96/09/11

CAD FILENAME  
SD-35362-002.DGN

DIMENSIONS:  mm  INCH  mm ONLY

SHT REV

REVISE ON CAD ONLY

TITLE: NEW 2.0 W/B CONN WAFER ASSY (ST) (LEAD FREE)

MOLEX INCORPORATED KOREA

MATERIAL NO. SEE NOTE

DRAWING NO. SD-35362-002

SHEET NO. 1 of 3

SIZE B

THIS DRAWING CONTAINS INFORMATION THAT IS PROPRIETARY TO MOLEX INCORPORATED AND SHOULD NOT BE USED WITHOUT WRITTEN PERMISSION.

DWG. NO. SD-35362-002

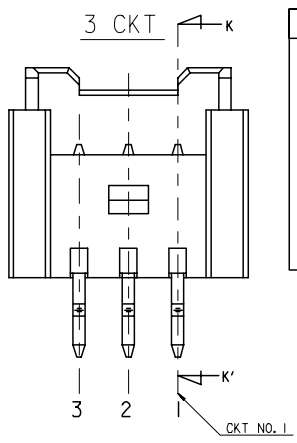
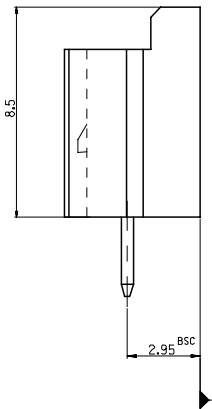
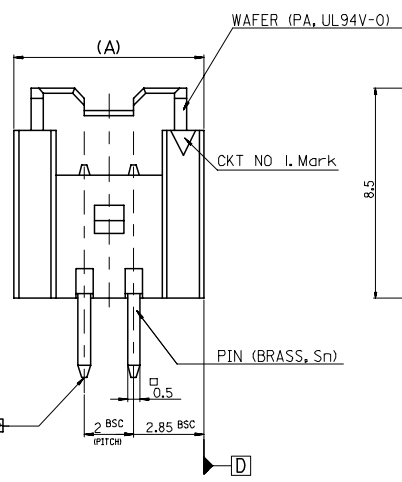
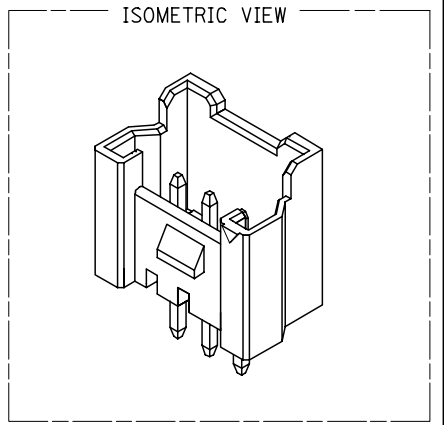
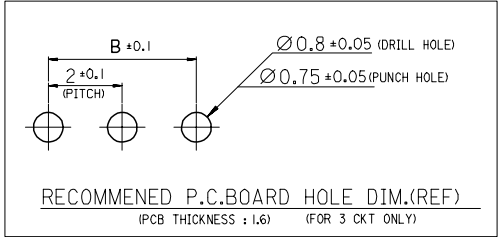
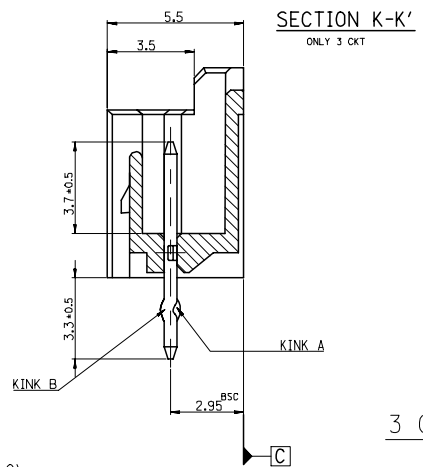
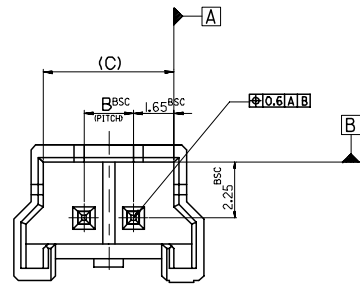
SIMILAR ITEM

PROJECT NO.

DO NOT SCALE DRAWING DIMENSION IN METRIC

FOR 2 & 3 CKTS.

ISOMETRIC VIEW



**LEGEND**

SD-35362-\*\*\*\*

CTK NO. \_\_\_\_\_ COLOR \_\_\_\_\_

- 0 : NATURAL
- 1 : BLACK
- 2 : RED
- 3 : YELLOW
- 4 : BLUE
- 5 : GREEN
- 6 : TUBE PACKING (Natural Color)
- 7 : TUBE PACKING (Red Color)
- 8 : TUBE PACKING (Blue Color)

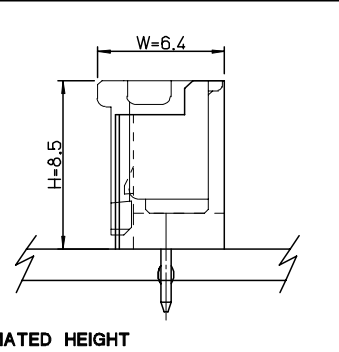
FINAL GOOD (BULK) : 5 : SELECTIVE KINK (LEAD FREE), 6 : NONE KINK (LEAD FREE)

SUB ASSY (TUBE) : 7 : SELECTIVE KINK (LEAD FREE), 8 : NONE KINK (LEAD FREE)

- NOTES**
- MATERIAL : WAFER : POLYAMIDE(PA), NO GLASS, UL94V-0, NATURAL COLOR  
PIN : BRASS, Tin PLATED
  - FINISHES : TERMINAL : Sn 2~3um OVERALL
  - PRODUCT SPECIFICATION : PS-35507-003
  - MATING HOUSING : 35507-\*\*0\*  
MATING TERMINAL : 50212-8000
  - KINK

CKT	CKT NO		
	1	2	3
2 CKT	NONE KINK		
3 CKT	A	B	A

7.3	4	9.7	3536203**	35362-03**	3
5.3	2	7.7	3536202**	35362-02**	2
(C)	B	(A)	MATERIAL NO.	ENG. NO.	CKT



**LEAD FREE**

30 over	±0.3
10 over 30 under	±0.25
10 under	±0.2
ANGLE	±3°
GENERAL TOLERANCE	

REVISED  
 EC NO. KOR 2005-0186  
 DRWN: K.S.Kim 05/04/18  
 CHK: Y.Soo.Kim 05/04/18  
 APPR: CW.LEE

QUALITY SYMBOLS  
 MAJOR =   
 CRITICAL =

GENERAL TOLERANCES: (UNLESS SPECIFIED)

	mm	INCH
4 PLACES	±0.	±.
3 PLACES	±0.	±.
2 PLACES	±0.	±.
1 PLACE	±0.	±.
ANGULAR:	±	°

DRAFT WHERE APPLICABLE MUST REMAIN WITHIN DIMENSIONS

SCALE 1 : 1  
 DESIGN UNITS  mm  INCH  
 THIRD ANGLE PROJECTION    
 DRAWN BY & DATE YSOOKIM 96/09/11  
 CHECKED BY & DATE J.K.Oh  
 APPROVED BY & DATE C.W.Lee  
 CAD FILENAME SD35362-00252.DGN

TITLE: NEW 2.0 W/B CONN WAFER ASSY (ST) (LEAD FREE)

**MOLEX INCORPORATED KOREA**

MATERIAL NO. SEE NOTE  
 DRAWING NO. SD-35362-002  
 SHEET NO. 2 of 3

THIS DRAWING CONTAINS INFORMATION THAT IS PROPRIETARY TO MOLEX INCORPORATED AND SHOULD NOT BE USED WITHOUT WRITTEN PERMISSION.

DWG. NO. SD-35362-002

SIMILAR ITEM

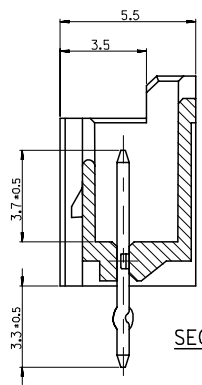
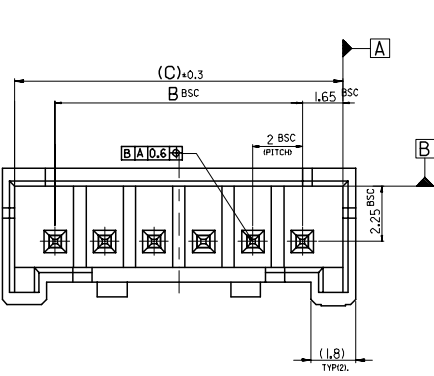
PROJECT NO.

C

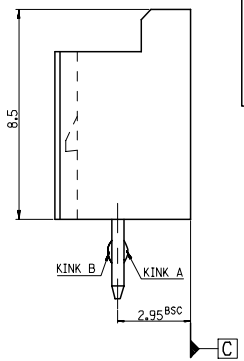
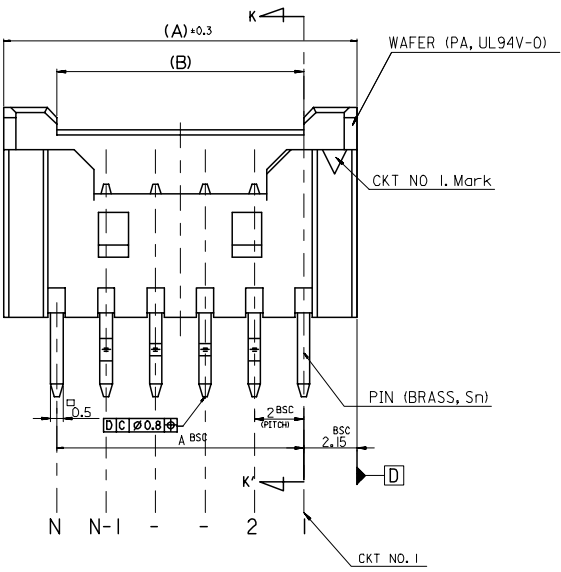
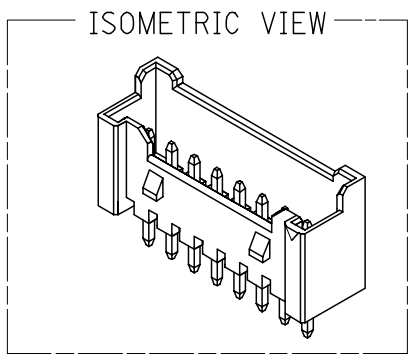
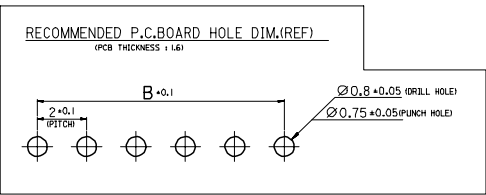
B

DO NOT SCALE DRAWING DIMENSION IN METRIC

8 7 6 5 4 3 2 1



SECTION K-K'



**LEGEND**

SD-35362-\*\*\*\*

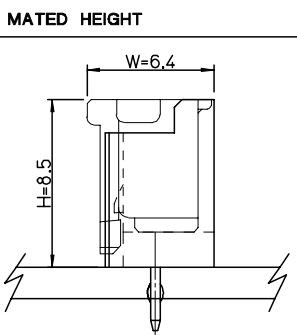
CKT NO. \_\_\_\_\_ COLOR \_\_\_\_\_

FINAL GOOD (BULK) 5 : SELECTIVE KINK (LEAD FREE) 6 : NONE KINK (LEAD FREE)

SUB ASSY (TUBE) 7 : SELECTIVE KINK (LEAD FREE) 8 : NONE KINK (LEAD FREE)

0 : NATURAL  
1 : BLACK  
2 : RED  
3 : YELLOW  
4 : BLUE  
5 : GREEN  
6 : TUBE PACKING (Natural Color)  
7 : TUBE PACKING (Red Color)  
8 : TUBE PACKING (Blue Color)

- NOTES**
- MATERIAL : WAFER : POLYAMIDE(PA), NO GLASS, UL94V-0. NATURAL COLOR  
PIN : BRASS, TIN PLATED
  - FINISHES : TERMINAL : Sn 2~3um OVERALL
  - PRODUCT SPECIFICATION : PS-35507-003
  - MATING HOUSING : 35507-\*\*\*0  
MATING TERMINAL : 50212-8000
  - KINK
- |           |   |   |   |   |   |     |     |   |
|-----------|---|---|---|---|---|-----|-----|---|
| CKT NO    | 1 | 2 | 3 | - | - | N-2 | N-1 | N |
| 16+20 CKT | - | A | B | - | - | B   | A   | - |



**LEAD FREE**

30 over	±0.3
10 over 30 under	±0.25
10 under	±0.2
ANGLE	±3°
GENERAL TOLERANCE	

REVISED

EC NO. KOR 2005-0196

DRWN: K.S.Kim 05/04/18

CHK: Y.Soo.Kim 05/04/18

APPR: CWLEE

DESCRIPTION

MAJOR =

CRITICAL =

REV

QUALITY SYMBOLS

GENERAL TOLERANCES: (UNLESS SPECIFIED)

	mm	INCH
4 PLACES	±0.	±.
3 PLACES	±0.	±.
2 PLACES	±0.	±.
1 PLACE	±0.	±.
ANGULAR: ±		

DRAFT WHERE APPLICABLE MUST REMAIN WITHIN DIMENSIONS

SCALE 1:1

DESIGN UNITS  MM  INCH

THIRD ANGLE PROJECTION

DRAWN BY & DATE YSOOKIM 96/09/11

CHECKED BY & DATE J.K.Oh

APPROVED BY & DATE C.W.Lee

CAD FILENAME SD35362-00253.DGN

DIMENSIONS:  mm  INCH  mm  mm ONLY

SHT REV

REVISE ON CAD ONLY

TITLE: NEW 2.0 W/B CONN WAFER ASSY (ST) (LEAD FREE)

MOLEX INCORPORATED KOREA

MATERIAL NO. SEE NOTE

DRAWING NO. SD-35362-002

SHEET NO. 3 of 3

THIS DRAWING CONTAINS INFORMATION THAT IS PROPRIETARY TO MOLEX INCORPORATED AND SHOULD NOT BE USED WITHOUT WRITTEN PERMISSION.

SIZE B

F

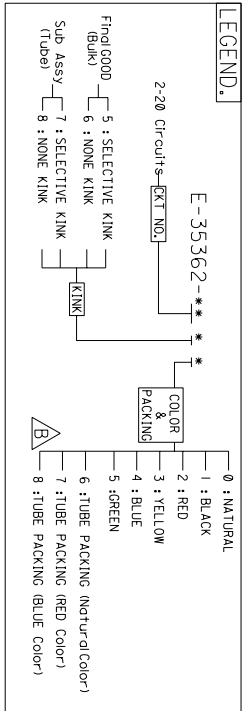
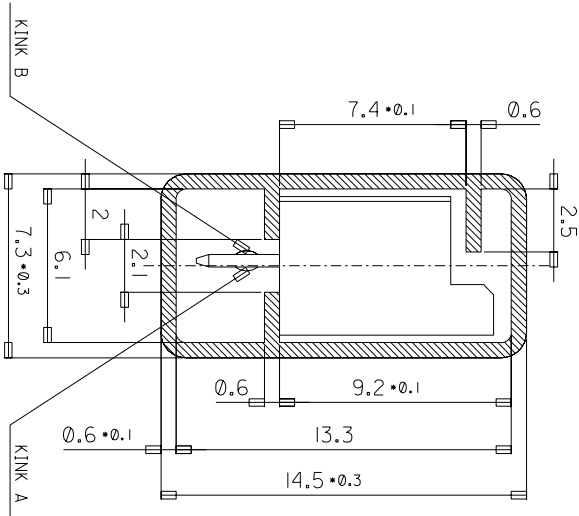
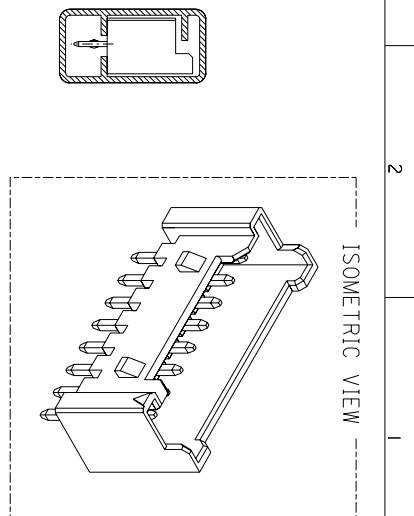
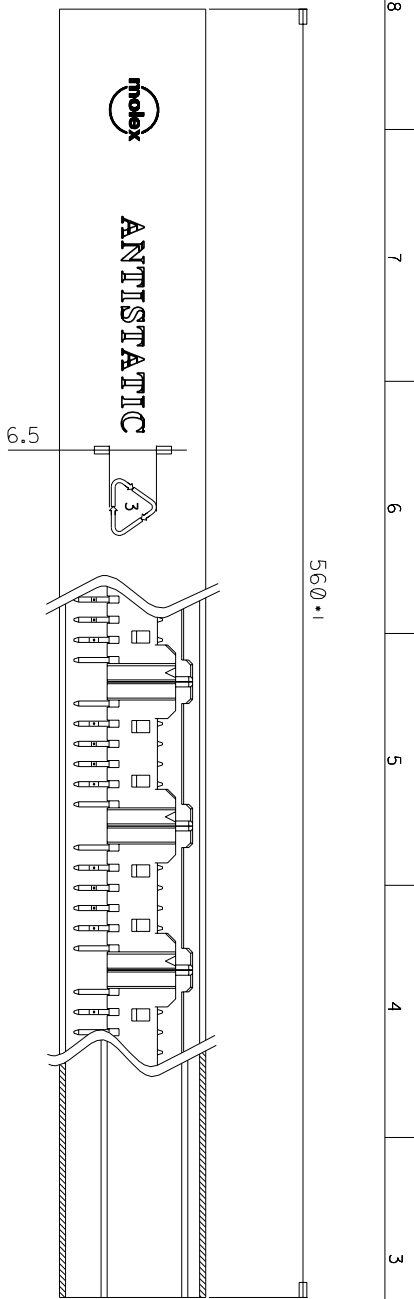
E

D

C

B

A



NOTES

- MATERIAL : TUBE - TRANSLUCENT P.V.C (P-1000)  
Water - POLYAMIDE, UL94V-0  
PIN - BRASS SQ 0.5mm
- BOW/CAMBER : 1.0mm MAX./Total length
- DIMENSIONS GIVEN ACROSS CENTER LINES ARE SYMMETRICAL ABOUT THOSE CENTER LINES WITH HALF THE TOTAL LENGTH.
- TOTAL TUBE LENGTH : 560mm ± 1mm
- TWIST : 5° MAX./Total Length
- BURRS : 0.2mm MAX.
- SKEW : PRODUCTS MUST BE FLOWED SMOOTHLY WHEN THIS STICK IS PLACES 30° ANGLE.
- THICKNESS : 0.6mm ± 0.1mm
- ARTWORK : PER E-35900-0434 (SILK SCREEN COLOR : RED)
- APPLICABLE STOPPER(RUBBER) : 35900-0435

LEAD FREE

KINK TABLE(FOR 35362-\*\*\*\*)

CKT NO	1	2	3	4	5	N-2	N-1	N
6 CKT OVER	-	A	B	-	-	B	A	-
5 CKT	A	B	-	B	A	-	-	-
4 CKT	A	B	B	A	-	-	-	-
3 CKT	A	B	A	-	-	-	-	-
2 CKT	None Kink	-	-	-	-	-	-	-

RELEASED  
 EC NO. KOR2004-0137  
 DRWN: YSOOKIM 04/02/25  
 CH'K: YUNSIKKIM  
 APPR: C.W.LEE

REV	DESCRIPTION
A	

QUALITY SYMBOLS	GENERAL TOLERANCES: (UNLESS SPECIFIED)
MAJOR =	MM INCH
CRITICAL =	MM INCH
	1 PLACE ± 0.2
	2 PLACES ± 0.1
	3 PLACES ± 0.1
	4 PLACES ± 0.1
	ANGULAR: ± 1°

SCALE	DESIGN UNITS
5 : 1	MM INCH
DRAWN BY & DATE	CHECKED BY & DATE
Y.SOOKIM 00/12/11	J.K.OH
APPROVED BY & DATE	CAD FILENAME
C.W.LEE	SD35362-003.DGN

TITLE:	MATERIAL NO.	DRAWING NO.	SHT	REV
TUBE PACKAGING FOR 35362-****(LEAD FREE)	MOLEX	SD-35362-003	1 of 1	B

TABLE

OT'y	Material NO.	ENG. NO.	CKT
10	20***	-20***	20
10	19***	-19***	19
10	18***	-18***	18
10	17***	-17***	17
15	16***	-16***	16
15	15***	-15***	15
15	14***	-14***	14
15	13***	-13***	13
15	12***	-12***	12
20	11***	-11***	11
20	10***	-10***	10
25	09***	-09***	9
25	08***	-08***	8
30	07***	-07***	7
35	06***	-06***	6
40	05***	-05***	5
50	04***	-04***	4
60	03***	-03***	3
70	3536202**	35362-02**	2