

Distributed by:

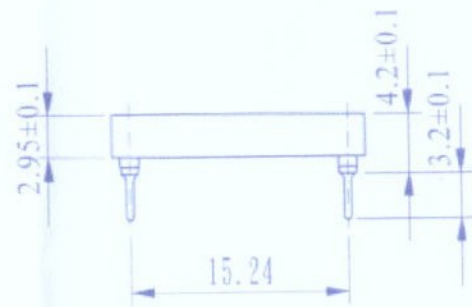


www.Jameco.com ♦ 1-800-831-4242

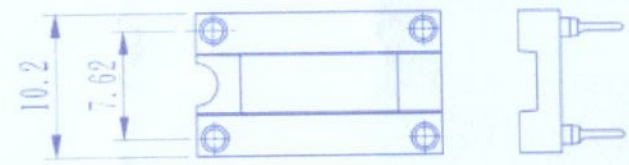
The content and copyrights of the attached material are the property of its owner.

Jameco Part Number 133006

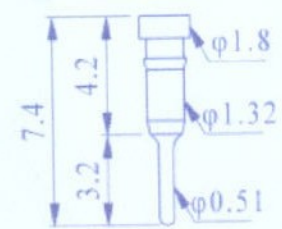
133006



P.C.B. LAYOUT



STANDARD PIN CONSTRUCTION



				NORMAL TOLERANCE	PART NUMBER	-----	UNIT	MM (INCH)	PART NAME	EMS	
				RANGE TOLERANCE	MATERIAL	SEE SPEC	SCALE	4 : 1	TYPE	DIP	
				0 - 1 ±0.1	CHECK 郭水銘 SEP 9 1999	DESIGN 林秋如	DRAWN 江慶崇 SEP 9 1999	QUANTITY	-----	FILE NAME	EMS270434A.PRT
				1 - 4 ±0.3				PROCESSING	-----	ASSEMBLY NUMBER	-----
				4 - 16 ±0.5				PROJECTION		SURFACE TREATMENT	-----
				16 - 63 ±0.8							
				63 - 250 ±1.0							
NO.	DETAILS	ALTERED BY	DATE								