

Distributed by:

**JAMECO**<sup>®</sup>  
ELECTRONICS

**www.Jameco.com ♦ 1-800-831-4242**

The content and copyrights of the attached  
material are the property of its owner.

Jameco Part Number 13611FSC

## CD4528BC Dual Monostable Multivibrator

### General Description

The CD4528B is a dual monostable multivibrator. Each device is retriggerable and resettable. Triggering can occur from either the rising or falling edge of an input pulse, resulting in an output pulse over a wide range of widths. Pulse duration and accuracy are determined by external timing components Rx and Cx.

### Features

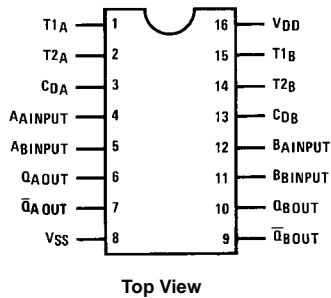
- Wide supply voltage range: 3.0V to 18V
- Separate reset available
- Quiescent current = 5.0 nA/package (typ.) at 5.0 V<sub>DC</sub>
- Diode protection on all inputs
- Triggerable from leading or trailing edge pulse
- Capable of driving two low-power TTL loads or one low-power Schottky TTL load over the rated temperature range

### Ordering Code:

Order Number	Package Number	Package Description
CD4528BCM	M16A	16-Lead Small Outline Integrated Circuit (SOIC), JEDEC MS-012, 0.150 Narrow
CD4528BCN	N16E	16-Lead Plastic Dual-In-Line Package (PDIP), JEDEC MS-001, 0.300 Wide

Devices also available in Tape and Reel. Specify by appending the suffix letter "X" to the ordering code.

### Connection Diagram

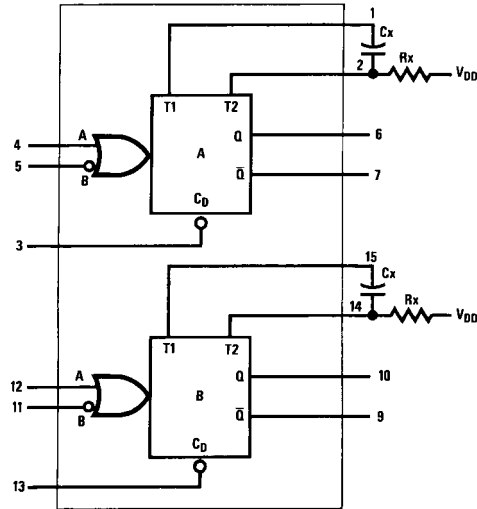


### Truth Table

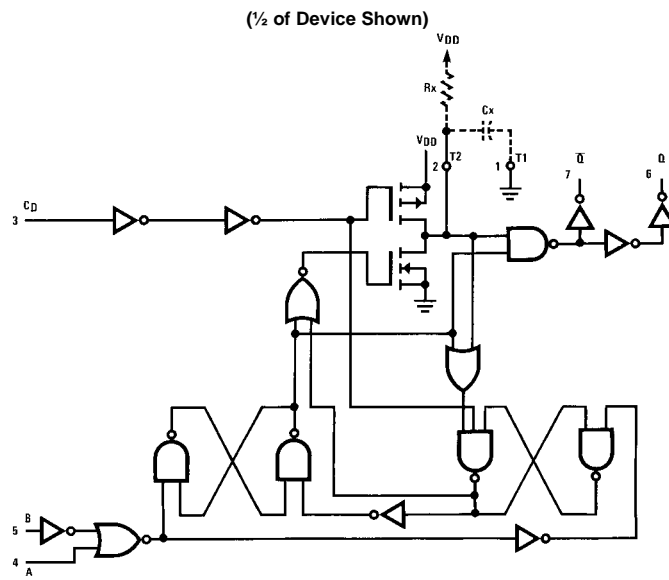
Clear	Inputs		Outputs	
	A	B	Q	Q
L	X	X	L	H
X	H	X	L	H
X	X	L	L	H
H	L	↓	⌋	⌋
H	↑	H	⌋	⌋

H = HIGH Level  
L = LOW Level  
↑ = Transition from LOW-to-HIGH  
↓ = Transition from HIGH-to-LOW  
⌋ = One HIGH Level Pulse  
⌋ = One LOW Level Pulse  
X = Irrelevant

Block Diagram



Logic Diagram



Note: Externally ground pins 1 and 15 to pin 8.

Absolute Maximum Ratings <sup>(Note 1)</sup>		Recommended Operating Conditions <sup>(Note 2)</sup>	
<sup>(Note 2)</sup>			
DC Supply Voltage ( $V_{DD}$ )	-0.5 $V_{DC}$ to +18 $V_{DC}$	DC Supply Voltage ( $V_{DD}$ )	3V to 15V
Input Voltage, All Inputs ( $V_{IN}$ )	-0.5 $V_{DC}$ to $V_{DD}$ +0.5 $V_{DC}$	Input Voltage ( $V_{IN}$ )	0V to $V_{DD}$ $V_{DC}$
Storage Temperature Range ( $T_S$ )	-65°C to +150°C	Operating Temperature Range ( $T_A$ )	-40°C to +85°C
Power Dissipation ( $P_D$ )		<b>Note 1:</b> "Absolute Maximum Ratings" are those values beyond which the safety of the device cannot be guaranteed. Except for "Operating Temperature Range", they are not meant to imply that the devices should be operated at these limits. The table of "Electrical Characteristics" provides conditions for actual device operation.	
Dual-In-Line	700 mW	<b>Note 2:</b> $V_{SS} = 0V$ unless otherwise specified.	
Small Outline	500 mW		
Lead Temperature ( $T_L$ )			
(Soldering, 10 seconds)	260°C		

### DC Electrical Characteristics <sup>(Note 3)</sup>

Symbol	Parameter	Conditions	-40°C		+25°C			+85°C		Units
			Min	Max	Min	Typ	Max	Min	Max	
$I_{DD}$	Quiescent Device Current	$V_{DD} = 5V$		20		0.005	20		150	$\mu A$
		$V_{DD} = 10V$		40		0.010	40		300	$\mu A$
		$V_{DD} = 15V$		80		0.015	80		600	$\mu A$
$V_{OL}$	LOW Level Output Voltage	$V_{DD} = 5V$		0.05			0.05		0.05	V
		$V_{DD} = 10V$		0.05			0.05		0.05	V
		$V_{DD} = 15V$		0.05			0.05		0.05	V
$V_{OH}$	HIGH Level Output Voltage	$V_{DD} = 5V$	4.95		4.95	5.0		4.95		V
		$V_{DD} = 10V$	9.95		9.95	10.0		9.95		V
		$V_{DD} = 15V$	14.95		14.95	15.0		14.95		V
$V_{IL}$	LOW Level Input Voltage	$V_{DD} = 5V, V_O = 0.5V$ or 4.5V		1.5		2.25	1.5		1.5	V
		$V_{DD} = 10V, V_O = 1V$ or 9V		3.0		4.50	3.0		3.0	V
		$V_{DD} = 15V, V_O = 1.5V$ or 13.5V		4.0		6.75	4.0		4.0	V
$V_{IH}$	HIGH Level Input Voltage	$V_{DD} = 5V, V_O = 0.5V$ or 4.5V	3.5		3.5	2.75		3.5		V
		$V_{DD} = 10V, V_O = 1V$ or 9V	7.0		7.0	5.50		7.0		V
		$V_{DD} = 15V, V_O = 1.5V$ or 13.5V	11.0		11.0	8.25		11.0		V
$I_{OL}$	LOW Level Output Current (Note 4)	$V_{DD} = 5V, V_O = 0.4V$	0.52		0.44	0.88		0.36		mA
		$V_{DD} = 10V, V_O = 0.5V$	1.3		1.1	2.25		0.9		mA
		$V_{DD} = 15V, V_O = 1.5V$	3.6		3.0	8.8		2.4		mA
$I_{OH}$	HIGH Level Output Current (Note 4)	$V_{DD} = 5V, V_O = 4.6V$	-0.2		-0.16	-0.36		-0.12		mA
		$V_{DD} = 10V, V_O = 9.5V$	-0.5		-0.4	-0.9		-0.3		mA
		$V_{DD} = 15V, V_O = 13.5V$	-1.4		-1.2	-3.5		-1.0		mA
$I_{IN}$	Input Current	$V_{DD} = 15V, V_{IN} = 0V$		-0.3		$-10^{-5}$	-0.3		-1.0	$\mu A$
		$V_{DD} = 15V, V_{IN} = 15V$		0.3		$10^{-5}$	0.3		1.0	$\mu A$

**Note 3:**  $V_{SS} = 0V$  unless otherwise specified.

**Note 4:**  $I_{OH}$  and  $I_{OL}$  are tested one output at a time.

AC Electrical Characteristics (Note 5)						
T <sub>A</sub> = 25°C, C <sub>L</sub> = 50 pF, R <sub>L</sub> = 200 kΩ, Input t <sub>r</sub> = t <sub>f</sub> = 20 ns, unless otherwise specified						
Symbol	Parameter	Conditions	Min	Typ	Max	Units
t <sub>r</sub>	Output Rise Time	t <sub>r</sub> = (3.0 ns/pF) C <sub>L</sub> + 30 ns, V <sub>DD</sub> = 5.0V		180	400	ns
		t <sub>r</sub> = (1.5 ns/pF) C <sub>L</sub> + 15 ns, V <sub>DD</sub> = 10.0V		90	200	ns
		t <sub>r</sub> = (1.1 ns/pF) C <sub>L</sub> + 10 ns, V <sub>DD</sub> = 15.0V		65	160	ns
t <sub>f</sub>	Output Fall Time	t <sub>f</sub> = (1.5 ns/pF) C <sub>L</sub> + 25 ns, V <sub>DD</sub> = 5.0V		100	200	ns
		t <sub>f</sub> = (0.75 ns/pF) C <sub>L</sub> + 12.5 ns, V <sub>DD</sub> = 10V		50	100	ns
		t <sub>f</sub> = (0.55 ns/pF) C <sub>L</sub> + 9.5 ns, V <sub>DD</sub> = 15.0V		35	80	ns
t <sub>PLH</sub> t <sub>PHL</sub>	Turn-Off, Turn-On Delay A or B to Q or $\bar{Q}$ C <sub>x</sub> = 15 pF, R <sub>x</sub> = 5.0 kΩ	t <sub>PLH</sub> , t <sub>PHL</sub> = (1.7 ns/pF) C <sub>L</sub> + 240 ns, V <sub>DD</sub> = 5.0V		230	500	ns
		t <sub>PLH</sub> , t <sub>PHL</sub> = (0.66 ns/pF) C <sub>L</sub> + 8 ns, V <sub>DD</sub> = 10.0V		100	250	ns
		t <sub>PLH</sub> , t <sub>PHL</sub> = (0.5 ns/pF) C <sub>L</sub> + 65 ns, V <sub>DD</sub> = 15.0V		65	150	ns
t <sub>WL</sub> t <sub>WH</sub>	Minimum Input Pulse Width A or B C <sub>x</sub> = 15 pF, R <sub>x</sub> = 5.0 kΩ	V <sub>DD</sub> = 5.0V		60	150	ns
		V <sub>DD</sub> = 10.0V		20	50	ns
		V <sub>DD</sub> = 15V		20	50	ns
PW <sub>OUT</sub>	Output Pulse Width Q or $\bar{Q}$ For C <sub>x</sub> < 0.01 μF (See Graph for Appropriate V <sub>DD</sub> Level) C <sub>x</sub> = 15 pF, R <sub>x</sub> = 5.0 kΩ	V <sub>DD</sub> = 5.0V		550		ns
		V <sub>DD</sub> = 10.0V		350		ns
		V <sub>DD</sub> = 15.0V		300		ns
t <sub>PLH</sub> t <sub>PHL</sub>	Reset Propagation Delay, t <sub>PLH</sub> , t <sub>PHL</sub> C <sub>x</sub> = 15 pF, R <sub>x</sub> = 5.0 kΩ	V <sub>DD</sub> = 5.0V	15	29	45	μs
		V <sub>DD</sub> = 10.0V	10	37	90	μs
		V <sub>DD</sub> = 15.0V	15	42	95	μs
t <sub>PLH</sub> t <sub>PHL</sub>	Reset Propagation Delay, t <sub>PLH</sub> , t <sub>PHL</sub> C <sub>x</sub> = 1000 pF, R <sub>x</sub> = 10 kΩ	V <sub>DD</sub> = 5.0V		7.0		μs
		V <sub>DD</sub> = 10.0V		6.7		μs
		V <sub>DD</sub> = 15.0V		6.7		μs
t <sub>RR</sub>	Minimum Retrigger Time C <sub>x</sub> = 15 pF, R <sub>x</sub> = 5.0 kΩ	V <sub>DD</sub> = 5.0V		0		ns
		V <sub>DD</sub> = 10.0V		0		ns
		V <sub>DD</sub> = 15.0V		0		ns
Pulse Width Match between Circuits in the Same Package C <sub>x</sub> = 10,000 pF, R <sub>x</sub> = 10 kΩ		V <sub>DD</sub> = 5.0V		6	25	%
		V <sub>DD</sub> = 10.0V		8	35	%
		V <sub>DD</sub> = 15.0V		8	35	%

**Note 5:** AC parameters are guaranteed by DC correlated testing.

Pulse Widths

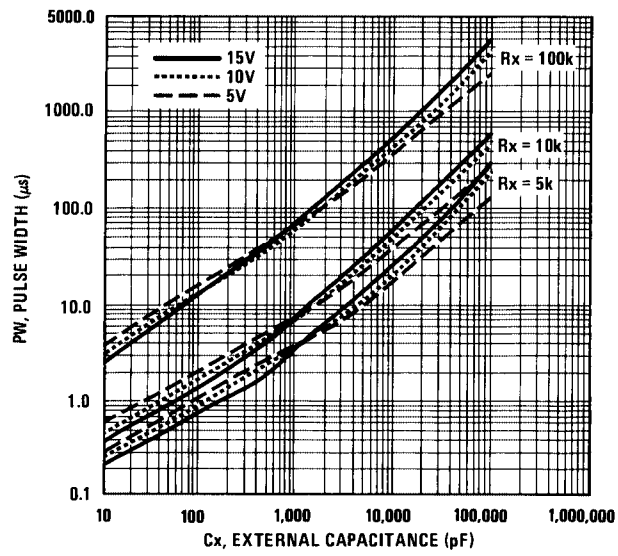


FIGURE 1. Pulse Width vs Cx

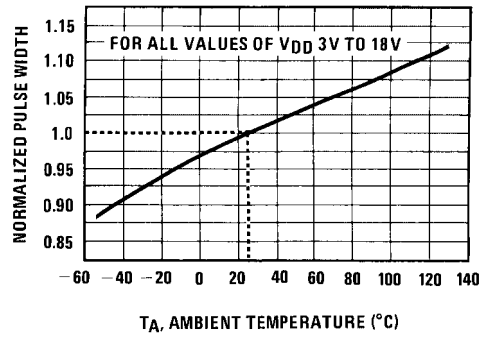
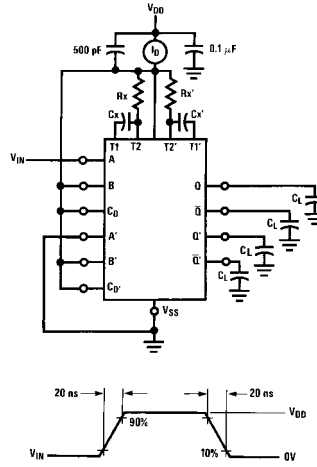


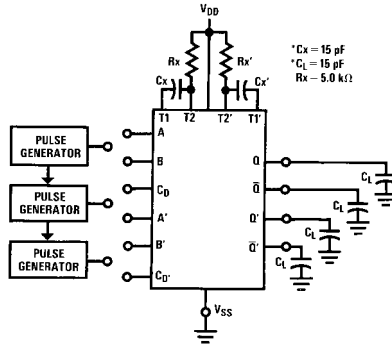
FIGURE 2. Normalized Pulse Width vs Temperature

AC Test Circuits and Waveforms



Duty Cycle = 50%

FIGURE 3. Power Dissipation Test Circuit and Waveforms



\*Includes capacitance of probes, wiring, and fixture parasitic.  
 Note: AC test waveforms for PG1, PG2, and PG3 in Figure 4.

Input Connections

Characteristics	C <sub>D</sub>	A	B
t <sub>PLH</sub> , t <sub>PHL</sub> , t <sub>r</sub> , t <sub>f</sub> , PW <sub>out</sub> , PW <sub>in</sub>	V <sub>DD</sub>	PG1	V <sub>DD</sub>
t <sub>PLH</sub> , t <sub>PHL</sub> , t <sub>r</sub> , t <sub>f</sub> , PW <sub>out</sub> , PW <sub>in</sub>	V <sub>DD</sub>	V <sub>SS</sub>	PG2
t <sub>PLH(R)</sub> , t <sub>PHL(R)</sub> , PW <sub>in</sub>	PG3	PG1	PG2

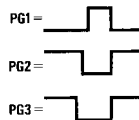


FIGURE 4. AC Test Circuit

AC Test Circuits and Waveforms (Continued)

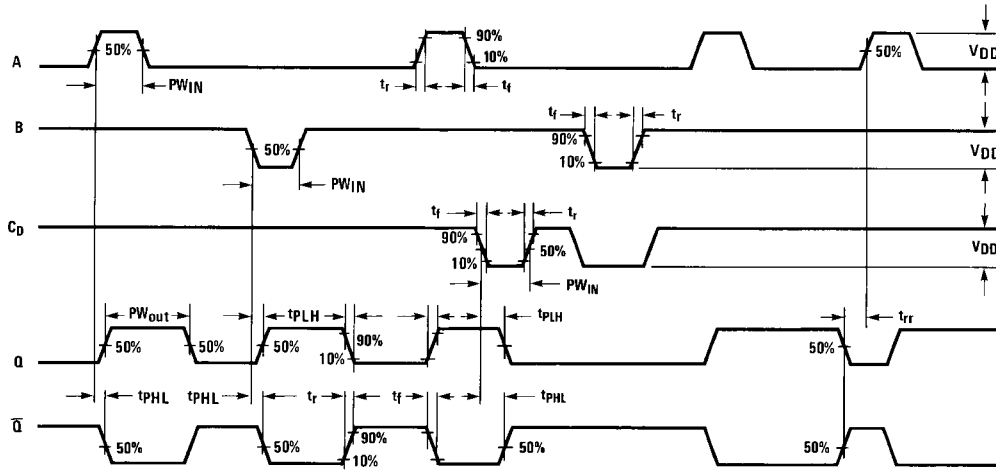
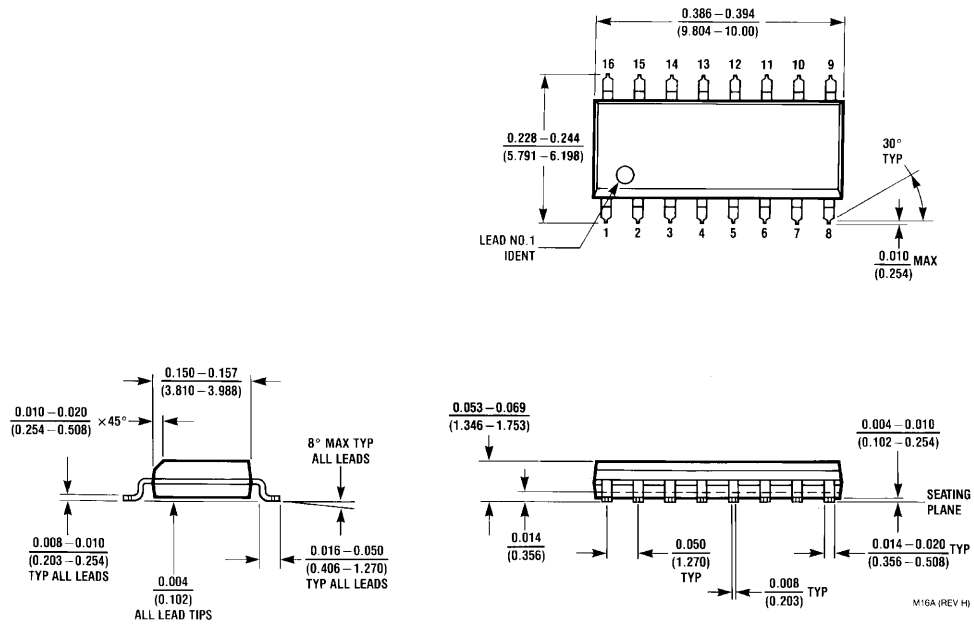


FIGURE 5. AC Test Waveforms

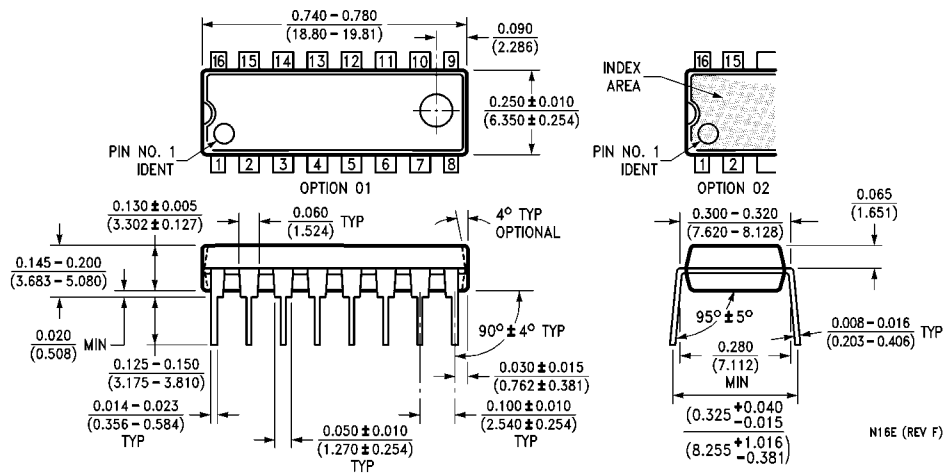


**Physical Dimensions** inches (millimeters) unless otherwise noted



**16-Lead Small Outline Integrated Circuit (SOIC), JEDEC MS-012, 0.150 Narrow  
Package Number M16A**

**Physical Dimensions** inches (millimeters) unless otherwise noted (Continued)



**16-Lead Plastic Dual-In-Line Package (PDIP), JEDEC MS-001, 0.300 Wide Package Number N16E**

Fairchild does not assume any responsibility for use of any circuitry described, no circuit patent licenses are implied and Fairchild reserves the right at any time without notice to change said circuitry and specifications.

**LIFE SUPPORT POLICY**

FAIRCHILD'S PRODUCTS ARE NOT AUTHORIZED FOR USE AS CRITICAL COMPONENTS IN LIFE SUPPORT DEVICES OR SYSTEMS WITHOUT THE EXPRESS WRITTEN APPROVAL OF THE PRESIDENT OF FAIRCHILD SEMICONDUCTOR CORPORATION. As used herein:

1. Life support devices or systems are devices or systems which, (a) are intended for surgical implant into the body, or (b) support or sustain life, and (c) whose failure to perform when properly used in accordance with instructions for use provided in the labeling, can be reasonably expected to result in a significant injury to the user.
2. A critical component in any component of a life support device or system whose failure to perform can be reasonably expected to cause the failure of the life support device or system, or to affect its safety or effectiveness.

[www.fairchildsemi.com](http://www.fairchildsemi.com)