

Distributed by:

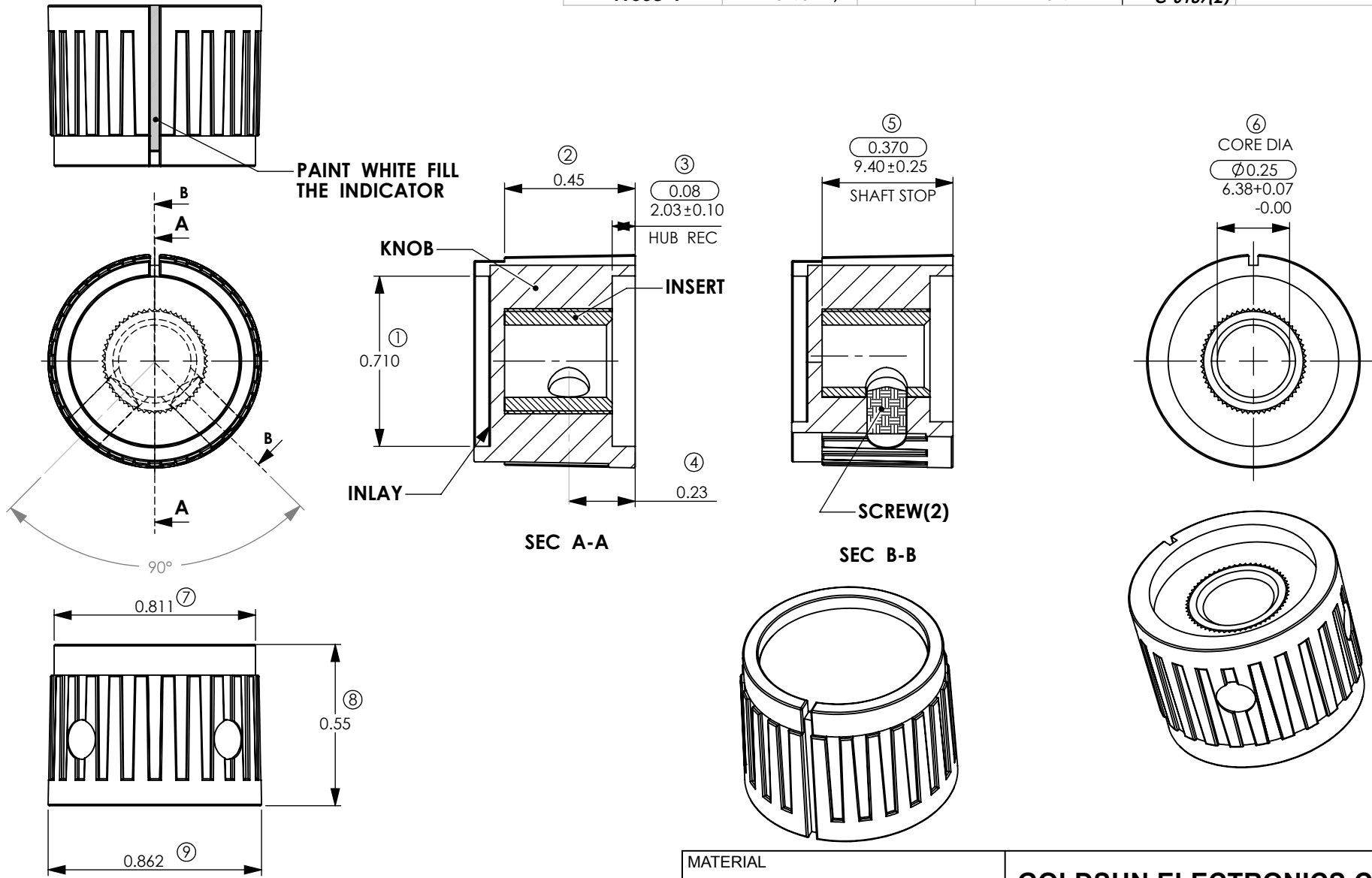
**JAMECO**<sup>®</sup>  
ELECTRONICS

**www.Jameco.com ♦ 1-800-831-4242**

The content and copyrights of the attached  
material are the property of its owner.

Jameco Part Number 138393

ASSY P/N	KNOB	ALUM INSERT	BRASS INSERT	SCREW	NOTE
41008-1	P-PKG-90B-1/4	I-PKG-90B	N-1047	C-6187(2)	



DCC. NO.
A4 DRAWING NO.

MATERIAL		<b>GOLDSUN ELECTRONICS CO., LTD.</b>	
JAMECO NO. <b>138393</b>		GOLDSUN NO. 41108-1-R	
DRAWN: Kiki Chen		Description KNOB BLACK ROUND CHROME	
VERIFY PEOPLE: Wendy Chen, Fanny Du		UNIT: mm	SCALE: SHEET 1 OF 1
		CAS No:	Rev. 1
		ERN No:	