

Distributed by:

JAMECO[®]
ELECTRONICS

www.Jameco.com ♦ 1-800-831-4242

The content and copyrights of the attached
material are the property of its owner.

Jameco Part Number 138740



SPECIFICATIONS SHEET

PRODUCT TYPE : MAGNETIC TRANSDUCER

PRODUCT SERIES : DBX

DESCRIPTION : MT TRANSDUCER 5V PIN NORYL

ROHS COMPLIANT

COLOR : BLACK

ELECTRICAL SPECIFICATIONS

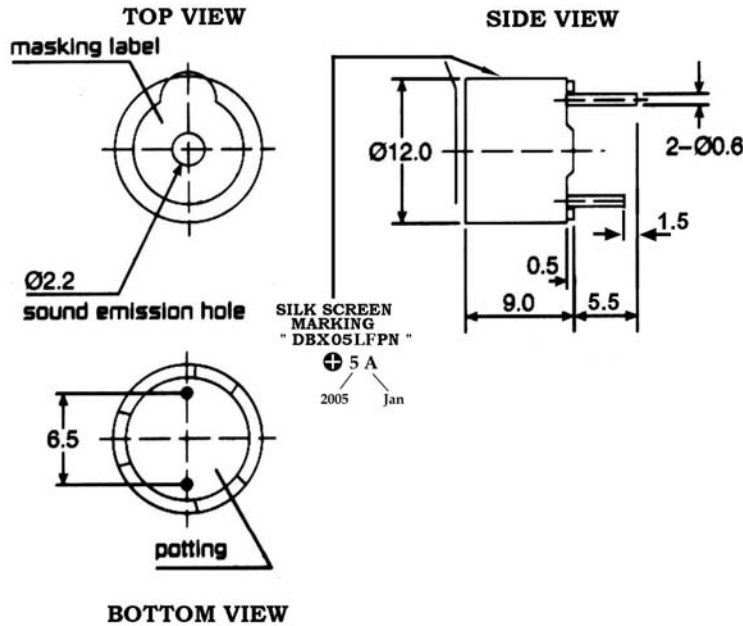
| MODEL NO. | <i>DBX05LF - PN</i> | |
|--------------------------------------|---------------------|--|
| OPERATING VOLTAGE RANGE (V) | 3.0 ~ 8.0 | |
| RATED VOLTAGE (V) | 5.0 | |
| + MAX. RATED CURRENT (mA) | 40.0 | |
| COIL RESISTANCE (Ω) | 47.0 ± 5.0 | |
| * COIL IMPEDANCE (Ω) | 80 | |
| + MIN. SOUND OUTPUT AT 10 cm (dBA) | 85 | |
| RESONANT FREQUENCY (Hz) | 2400 | |
| OPERATING TEMPERATURE (° C) | - 40 ~ + 85 | |
| TERMINAL | PIN | |
| HOUSING MATERIAL | NORYL | |
| WEIGHT (g) | 2.0 | |

+ Value applying rated voltage resonant frequency, 1/2 duty , square wave

* Value applying resonant frequency, 1/2 duty , square wave ,measuring current 60uA

DIMENSIONS

UNIT : mm



Approved By :
Date : 13-Jun-2006

Prepared By
Date : 13-Jun-2006

| Modify : | Date : | By : |
|----------|--------|------|
| | | |
| | | |
| | | |