

Distributed by:

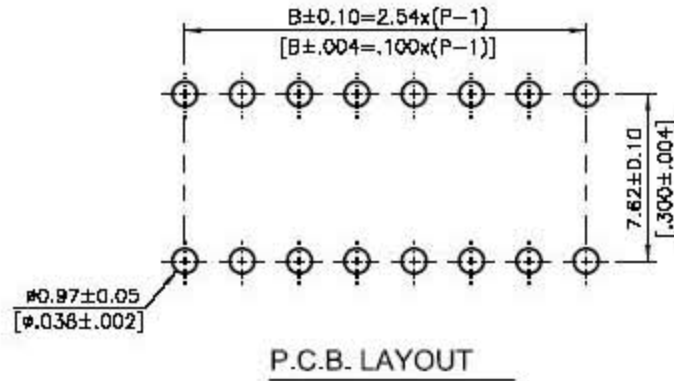
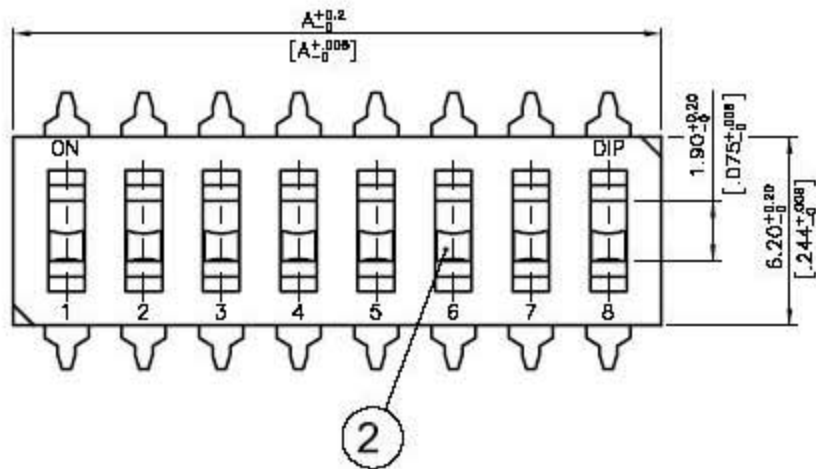
JAMECO[®]
ELECTRONICS

www.Jameco.com ♦ 1-800-831-4242

The content and copyrights of the attached
material are the property of its owner.

Jameco Part Number 139012

- NOTE:**
- ALL DIMENSIONS ARE IN MILLIMETERS, BRACKETED DIMENSIONS ARE IN INCHES.
 - GENERAL TOLERANCES: 10mm OVER - ± 0.20 mm.
10mm BELOW - ± 0.10 mm.
 - NDI(R)-01-03-V ARE WITHOUT "DIP" PRINTING.



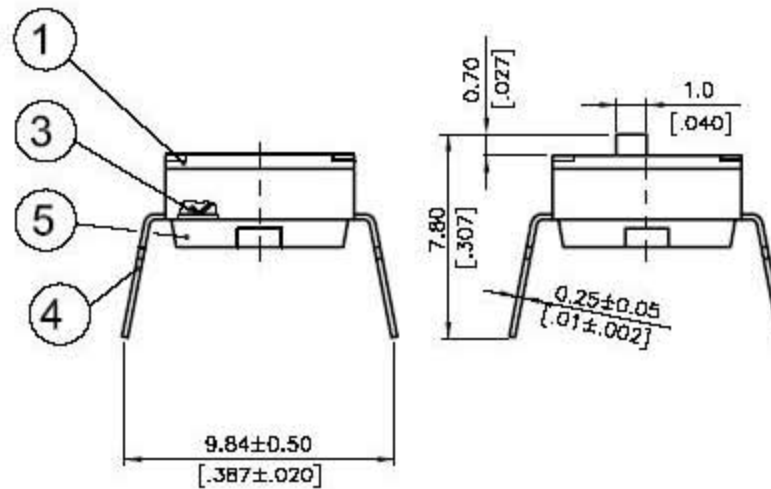
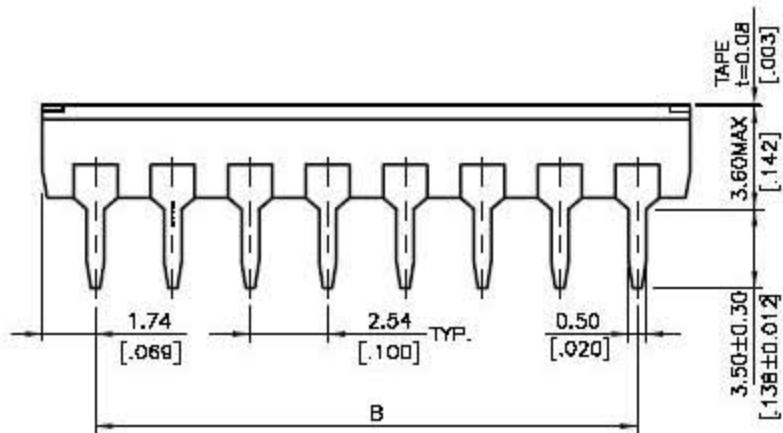
P.C.B. LAYOUT

NDI -12□(P)-V NDIR-12□(P)-V	12	31.42[1.237]	27.94[1.100]
NDI -10□(P)-V NDIR-10□(P)-V	10	26.34[1.037]	22.86[.900]
NDI -09□(P)-V NDIR-09□(P)-V	9	23.80[.937]	20.32[.800]
NDI -08□(P)-V NDIR-08□(P)-V	8	21.26[.837]	17.78[.700]
NDI -07□(P)-V NDIR-07□(P)-V	7	18.72[.737]	15.24[.600]
NDI -06□(P)-V NDIR-06□(P)-V	6	16.18[.637]	12.70[.500]
NDI -05□(P)-V NDIR-05□(P)-V	5	13.64[.537]	10.16[.400]
NDI -04□(P)-V NDIR-04□(P)-V	4	11.10[.437]	7.62[.300]
NDI -03□(P)-V NDIR-03□(P)-V	3	8.56[.337]	5.08[.200]
NDI -02□(P)-V NDIR-02□(P)-V	2	6.02[.237]	2.54[.100]
NDI -01□(P)-V NDIR-01□(P)-V	1	3.48[.137]	—
PROD. NO.	NO. OF POS.	DIM. A	DIM. B

SCHEMATIC(TYP.)



(1,2,3,4,5,6,7,8,9,10,12, POS AVAIL)



NDIR- □□S(P)-V

NDI- □□S(P)-V

NDIR- □□H(P)-V

NDI- □□H(P)-V

ZONE	REV	DESCRIPTION	DATE	APPD.
△	E			
△	D			
△	C			
△	B			
△	A	DWG.REL.	03.17.05	

APPD:	Q'TY:			PART NAME:	
CHKD:	SCALE: 4:1			MECHINE INSERTABLE IC TYPE DIP SWITCH(NDI)	
DR:	REV: A	UNITS: mm	PART NO:	MAT'L:	DWG NO:
DESIGN:			NDI(R)-□□(P)-V	FINISH:	R D 4 P 8 N-V