

## Main Feature

1. 92/8 gold silver alloy on silver palladium contact type is suitable for low level switching application.
2. Small size and light weight can provide high density P.C. Board mounting.
3. 2.54gmm Terminal Pitch.
4. Low Coil Power Consumption of GS-T Type and high Coil Power Consumption of GS-D type are available to meet user's selection.
5. Employment of suitable plastic materials to be applied to high temperature and various chemical solution.
6. Plastic epoxy resin sealed type for washing procedure.

## Application

Telecommunication, domestic appliances, office machine, audio equipment, Remote Control, etc.

## Contact Rating

- Nominal Load (Resistive Load  $\cos \phi = 1$ )  
Contact Capacity .....1A at 120VAC.  
2A at 24VDC.  
Rated Carrying Current .....2A.  
Max. Allowable Current .....2A.  
Max. Allowable Voltage .....AC 120V, DC 24V.  
Max. Allowable Power Force.50 VA, 30W.  
Min. Switching Load .....DC 1V, 1mA.
- Contact Material .....Ag Alloy.
- Contact Form.....DPDT.

## Performance (at Initial Value)

- Contact Resistance.....100m $\Omega$ Max.@100mA,6VDC
- Operate Time.....GS-D 6 mSec. Max.  
GS-T 8 mSec. Max.
- Release Time .....4 mSec. Max.
- Dielectric Strength :  
Between Coil & Contact .....1,000VAC at 50/60 Hz  
for one minute.  
Between Contacts .....500VAC at 50/60 Hz  
for one minute.
- Surge Resistance .....1,500V (between coil  
& contact 1.2x50 $\mu$ Sec.)
- Insulation Resistance .....100 Mega $\Omega$  Min. at  
500VDC.

- Max. On/Off Switching :  
Electrical..... 30 Ops per Minute.  
Mechanical..... 300 Ops per Minute.
- Temperature Range ..... -30~80°C
- Humidity Range ..... 45~85% RH.
- Coil Temperature Rise..... 25°C Max. (D Type)  
20°C Max. (T Type)
- Vibration :  
Endurance ..... 10 to 55 Hz dual  
amplitude width 1.5mm.  
Error Operation ..... 10 to 55 Hz dual  
amplitude width 1.5mm.
- Shock :  
Endurance ..... 1,000 m/S<sup>2</sup> Min.  
Error Operation ..... 100 m/S<sup>2</sup> Min.

- Life Expectancy :  
Mechanical ..... 10<sup>7</sup> Operations at No  
Load condition.  
Electrical ..... 10<sup>5</sup> Operations at  
Rated Resistive Load.
- Weight.....About 5.0 g.

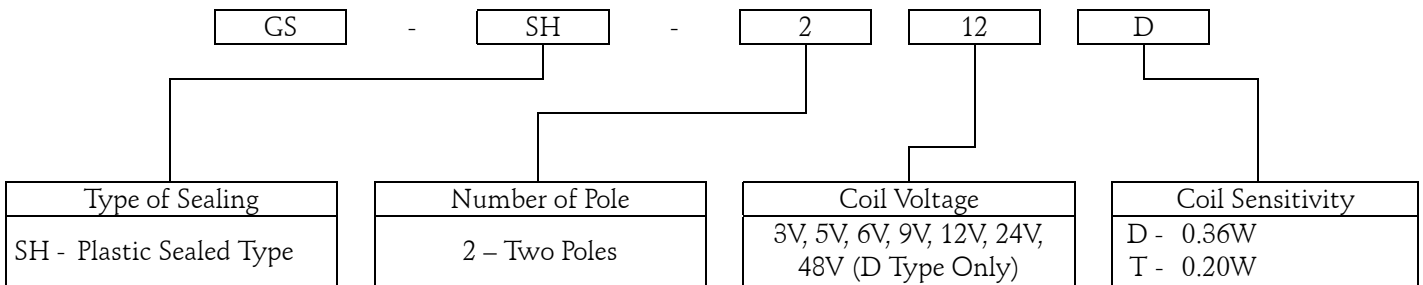
## Safety Standard & Its File Number:

- C-UL..... E141060

**Coil Specification (at 20°C)**

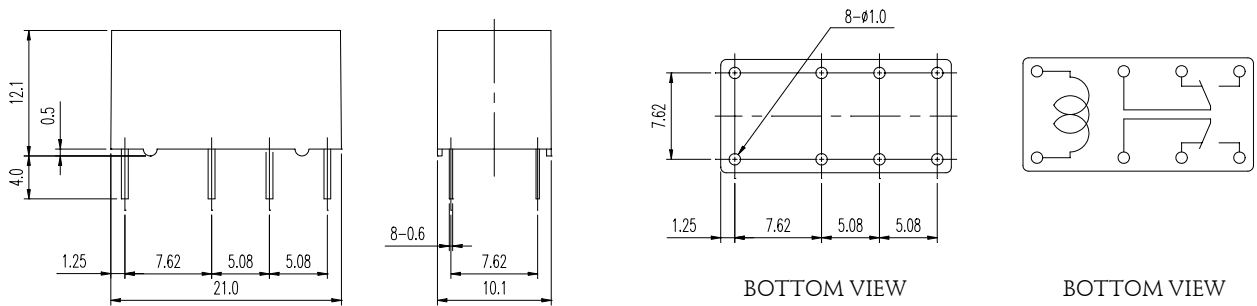
Coil Sensitivity	Nominal Voltage (VDC)	Nominal Current (mA)	Coil Resistance ( $\Omega \pm 10\%$ )	Power Consumption (W)	Pull-In Voltage (VDC)	Drop-Out Voltage (VDC)	Maximum Allowable Voltage (VDC)
GS - D	3	120	25	Abt. 0.36	75% Maximum	10% Minimum	150%
	5	71.4	70				
	6	60	100				
	9	40	225				
	12	30	400				
	24	15	1,600				
GS - T	3	66.7	45	Abt. 0.20	75% Maximum	10% Minimum	150%
	5	40	125				
	6	33.3	180				
	9	22.2	405				
	12	16.7	720				
	24	8.3	2,880				

**Ordering Information:**



**Dimension:**

GS-SH



**Reference Data:**

