

Distributed by:

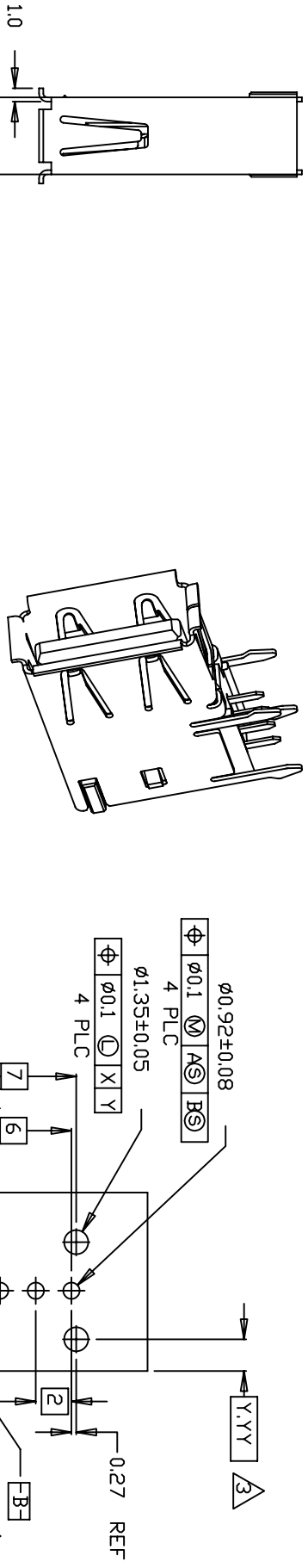
JAMECO[®]
ELECTRONICS

www.Jameco.com ♦ 1-800-831-4242

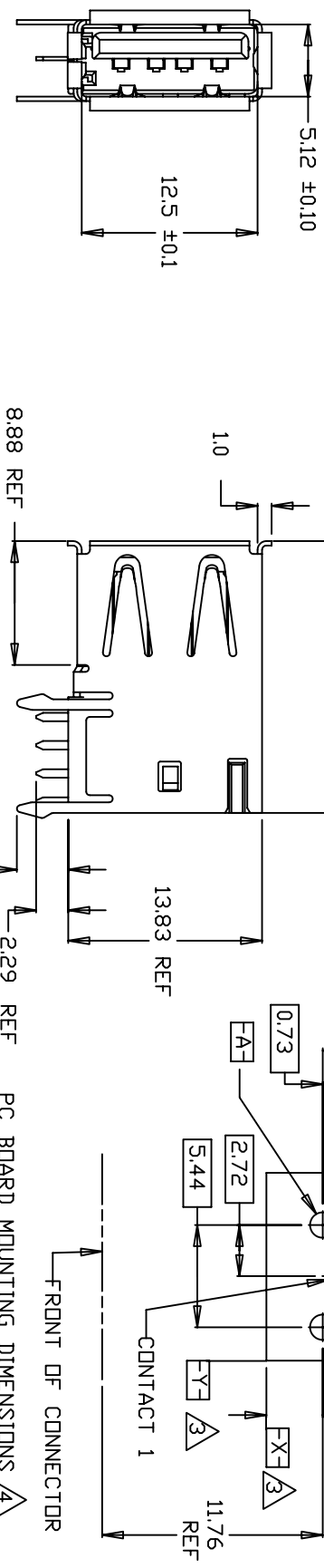
The content and copyrights of the attached
material are the property of its owner.

Jameco Part Number 1404605

D



C



B

- 1 MATERIAL: PHOSPHOR BRONZE
CONTACTS - COPPER ALLOY
- 2 PLATING:
CONTACTS - 0.076 µm MINIMUM GOLD OVER 0.76 µm MINIMUM PALLADIUM-NICKEL
ON MATING AREA, 3.8 µm MINIMUM MATTE TIN ON SOLDER TAILS, BOTH OVER 1.27 µm MINIMUM NICKEL SHELL 2~5 µm MINIMUM BRIGHT TIN.
CONTACT ALTERNATE PLATING: 0.76 µm MINIMUM GOLD ON MATING AREA
- 3 DATUMS AND BASIC DIMENSIONS ESTABLISHED BY CUSTOMER
- 4 RECOMMENDED PC BOARD THICKNESS DF 1.57±0.18
- 5 HOUSING - UL 94V-0 RATED THERMOPLASTIC, NATURAL
- 6 HOUSING - UL 94V-0 RATED THERMOPLASTIC, BLACK

A

DIMENSIONS		TOLERANCES UNLESS OTHERWISE SPECIFIED	
M/M	PLC	±	±
	1 PLC	±	±0.13
	2 PLC	±	±
	3 PLC	±	±
	4 PLC	±	±
	ANGLES	±	±
	FINISH		

DATE	12MAR04	NAME	RECEPTACLE ASSEMBLY, RIGHT ANGLE FLAG, 4 POSITION, THRU-HOLE, USB
CHK'D	J. JIANG	SCALE	NON
APP'D	S. YAD	SHEET	1 OF 1
DESIGN	12MAR04	REV	A
PRODUCT SPEC	T. SASAKI		
APPLICATION SPEC			
WEIGHT			
CUSTOMER DRAWING			

SIZE	A3	CAGE CODE	00779	DRAWING NO	292336	RESTRICTED TO	
MATERIAL		PART NUMBER		292336-1			
Tyco Electronics Corporation Shanghai, P.R.China, 200233							