

Distributed by:

JAMECO[®]
ELECTRONICS

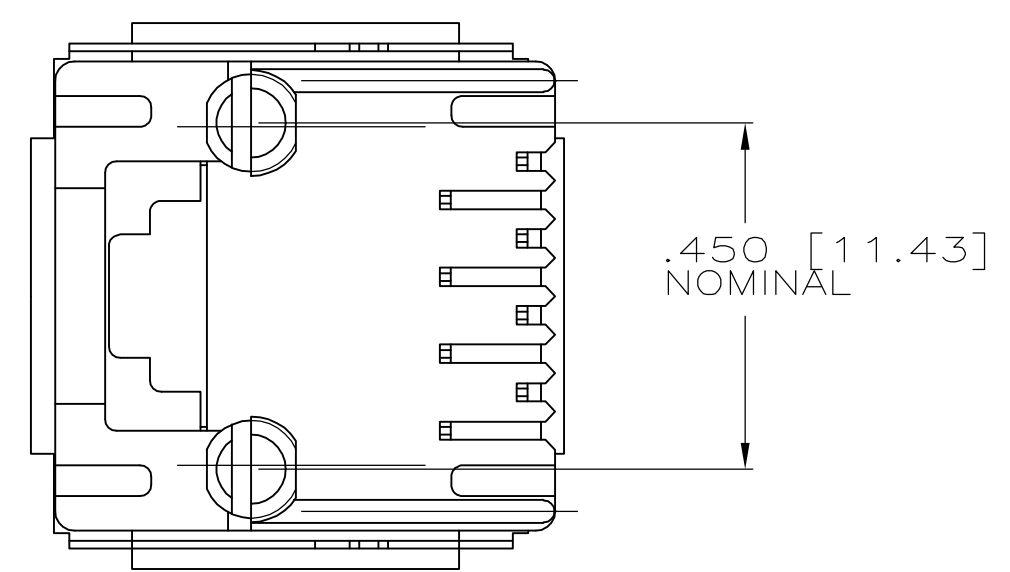
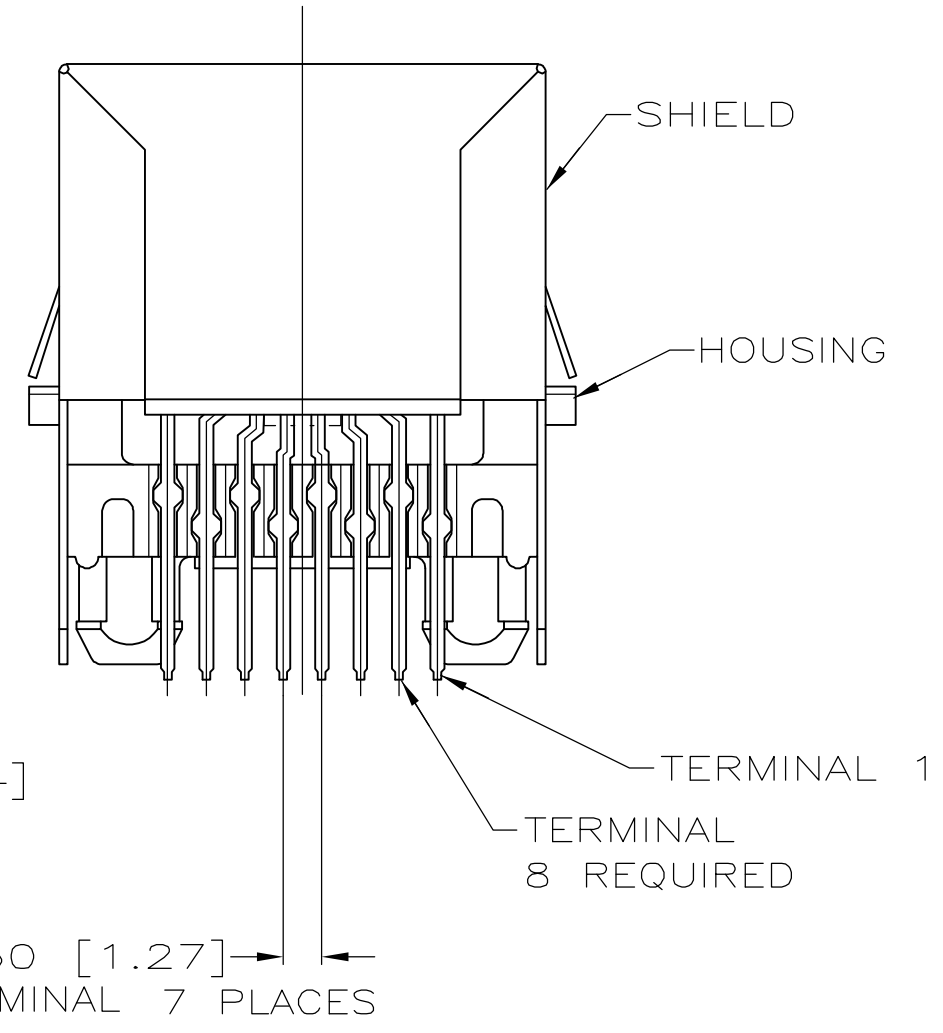
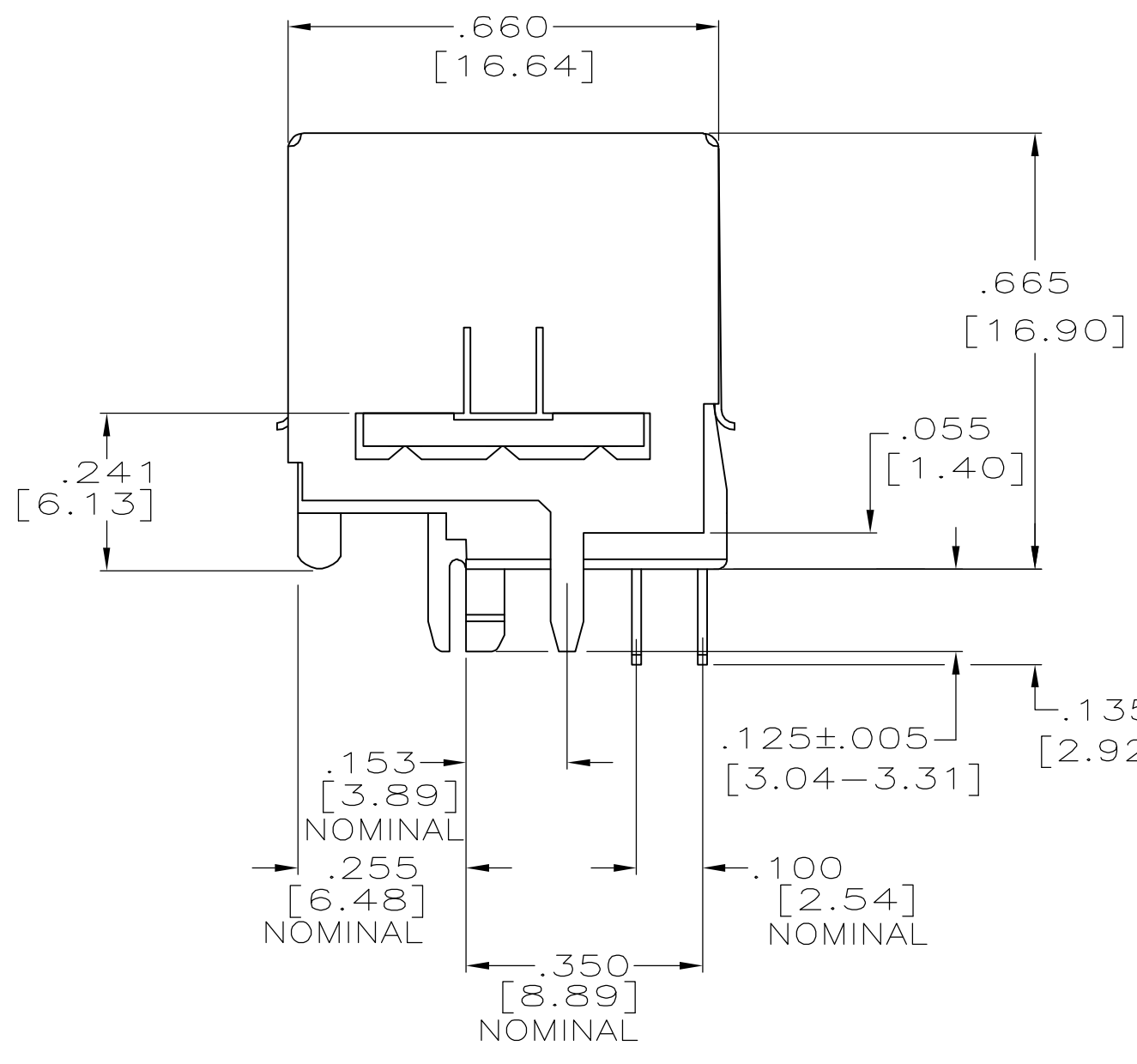
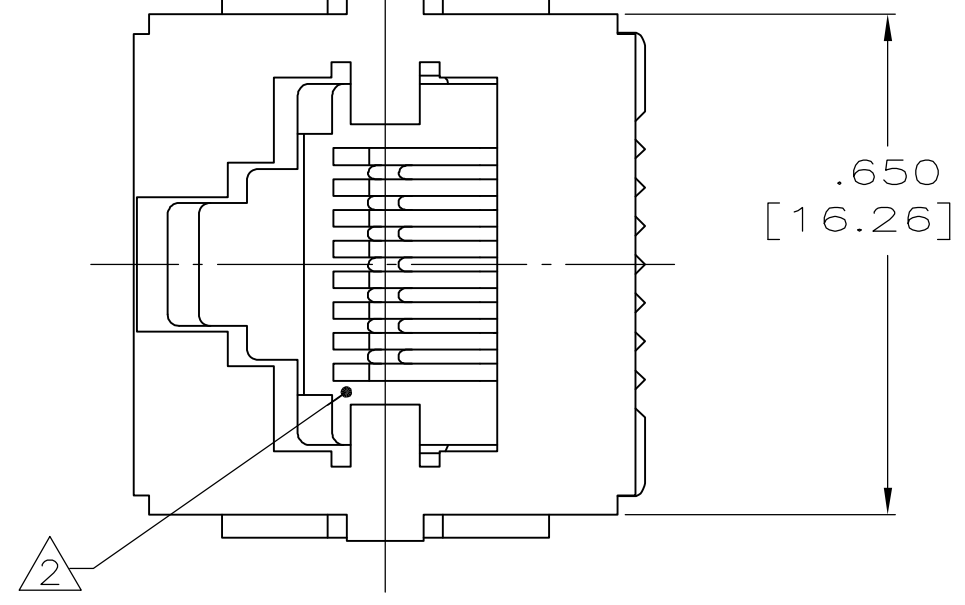
www.Jameco.com ♦ 1-800-831-4242

The content and copyrights of the attached
material are the property of its owner.

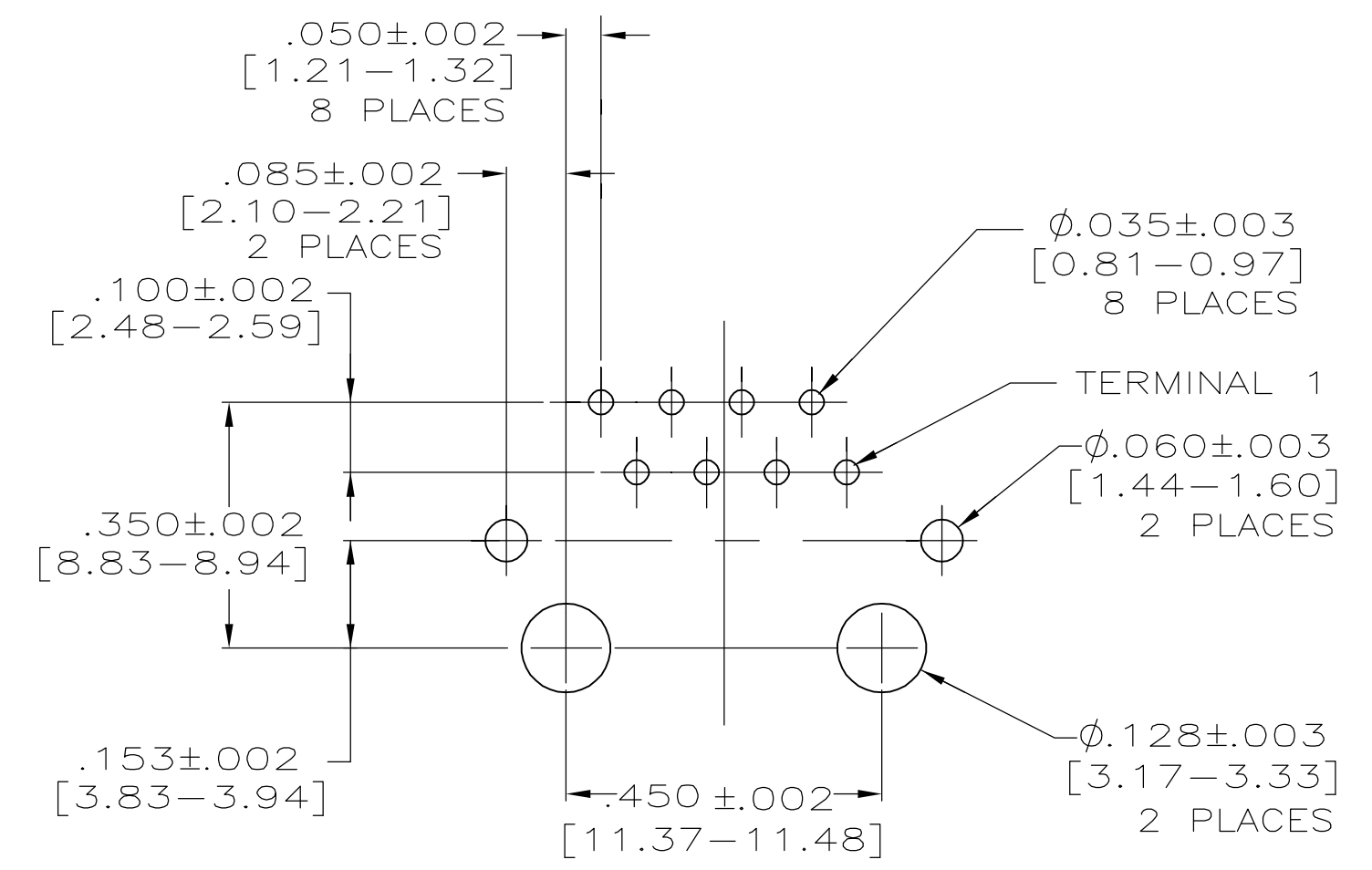
Jameco Part Number 1405114

THIS DRAWING IS UNPUBLISHED. RELEASED FOR PUBLICATION
 © COPYRIGHT BY TYCO ELECTRONICS CORPORATION ALL RIGHTS RESERVED.

| LOC | DIST | REVISIONS | | | |
|-----|------|-------------|---------------|---------|--------|
| P | LTR | DESCRIPTION | DATE | DWN | APVD |
| AA | 22 | B | ECO-06-001942 | 26JAN06 | LAM MY |



- MATERIAL: HOUSING- POLYESTER MOLDING COMPOUND, BLACK. TERMINALS- .0138 [0.350] THICK PHOS BRONZE PLATED WITH .000050 [1.27um] MINIMUM THICK GOLD IN LOCALIZED AREA AND .000150 [3.81um] MINIMUM THICK MATTE TIN IN SOLDER AREA OVER .000050 [1.27um] MINIMUM THICK NICKEL UNDERPLATE. SHIELD- COPPER ZINC ALLOY PLATED WITH .000080 [2.03um] MINIMUM THICK BRIGHT TIN OVER .000050 [1.27um] MINIMUM THICK NICKEL UNDERPLATE.
- CAVITY CONFORMS TO FCC RULES AND REGULATIONS PART 68 AND REA BULLETIN 345-81, PE-76 SPECIFICATION FOR MODULAR TELEPHONE HARDWARE.
- FOR APPLICATION INFORMATION SEE AMP SPECIFICATION 114-2048.
- FOR PERFORMANCE REQUIREMENTS SEE AMP SPECIFICATION 108-1163.
- BULK PACKAGED IN A TRAY.
- DIMENSIONS IN BRACKETS [] ARE IN MILLIMETERS.



VIEW SHOWN IS CIRCUIT (NONCOMPONENT) SIDE OF PC BOARD HOLE LAYOUT

CAD DRAWINGS
 THIS DRAWING WAS CREATED ON A COMPUTER AIDED DESIGN (CAD) SYSTEM. TO INSURE THE INTEGRITY OF THE DATA BASE ALL CHANGES/ REVISIONS MUST BE MADE ON THE CAD SYSTEM.

5557484-1
 PART NO

| | | | | |
|--|--|--|---|---|
| THIS DRAWING IS A CONTROLLED DOCUMENT. | | DWN G. ATTADIA - DOCK5 10JUN2005 | Tyco Electronics Corporation Harrisburg, PA 17105-3608 | |
| DIMENSIONS: INCHES | TOLERANCES UNLESS OTHERWISE SPECIFIED: | CHK J. WESTMAN 10JUN2005 | APVD S. FLICKINGER 10JUN2005 | NAME MODULAR JACK ASSEMBLY, TOP ENTRY, 8 POSITION, FLANGELESS, SHIELDED, WITH PANEL STOPS, PANEL & PCB GROUNDS |
| | 0 PLC ± - 1 PLC ± - 2 PLC ± - 3 PLC ± .005[0.13] 4 PLC ± - ANGLES ± - FINISH | PRODUCT SPEC | APPLICATION SPEC | SIZE A2 |
| MATERIAL SEE NOTE 1 | SEE NOTE 1 | WEIGHT - | CAGE CODE 00779 | DRAWING NO C=5557484 |
| CUSTOMER DRAWING | | | SCALE 1:1 | SHEET 1 of 1 |
| | | | RESTRICTED TO | REV B |