

Distributed by:

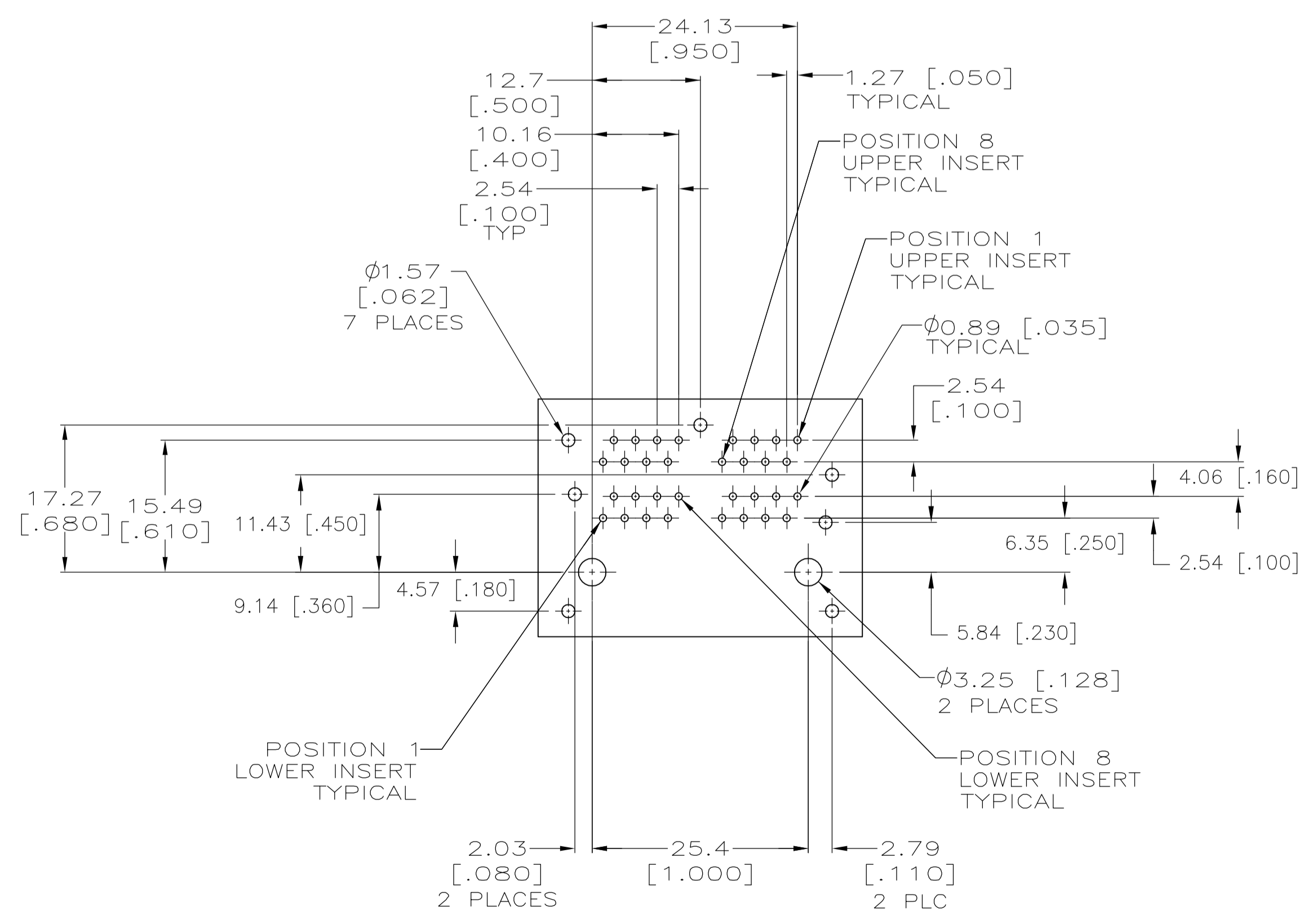
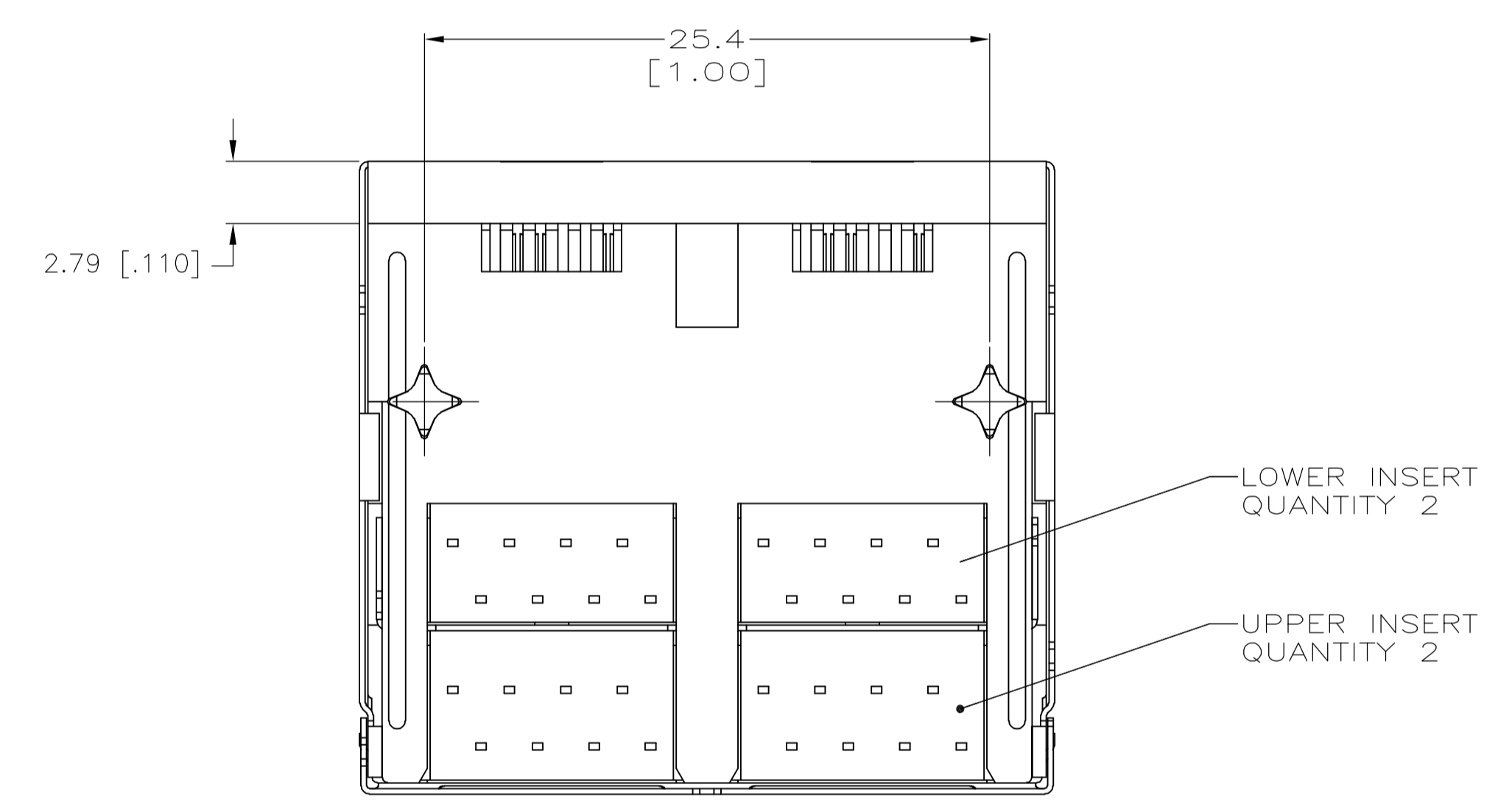
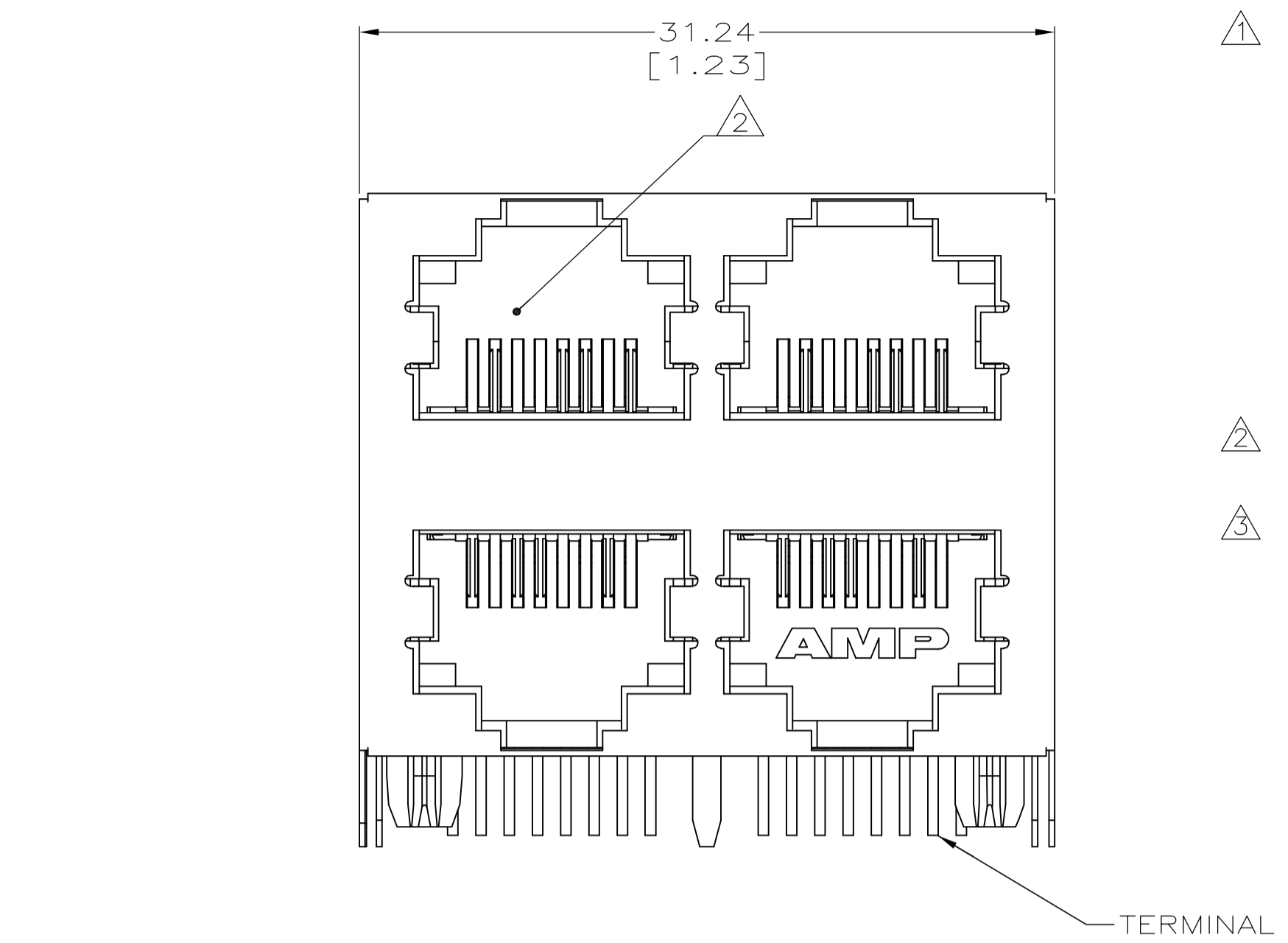
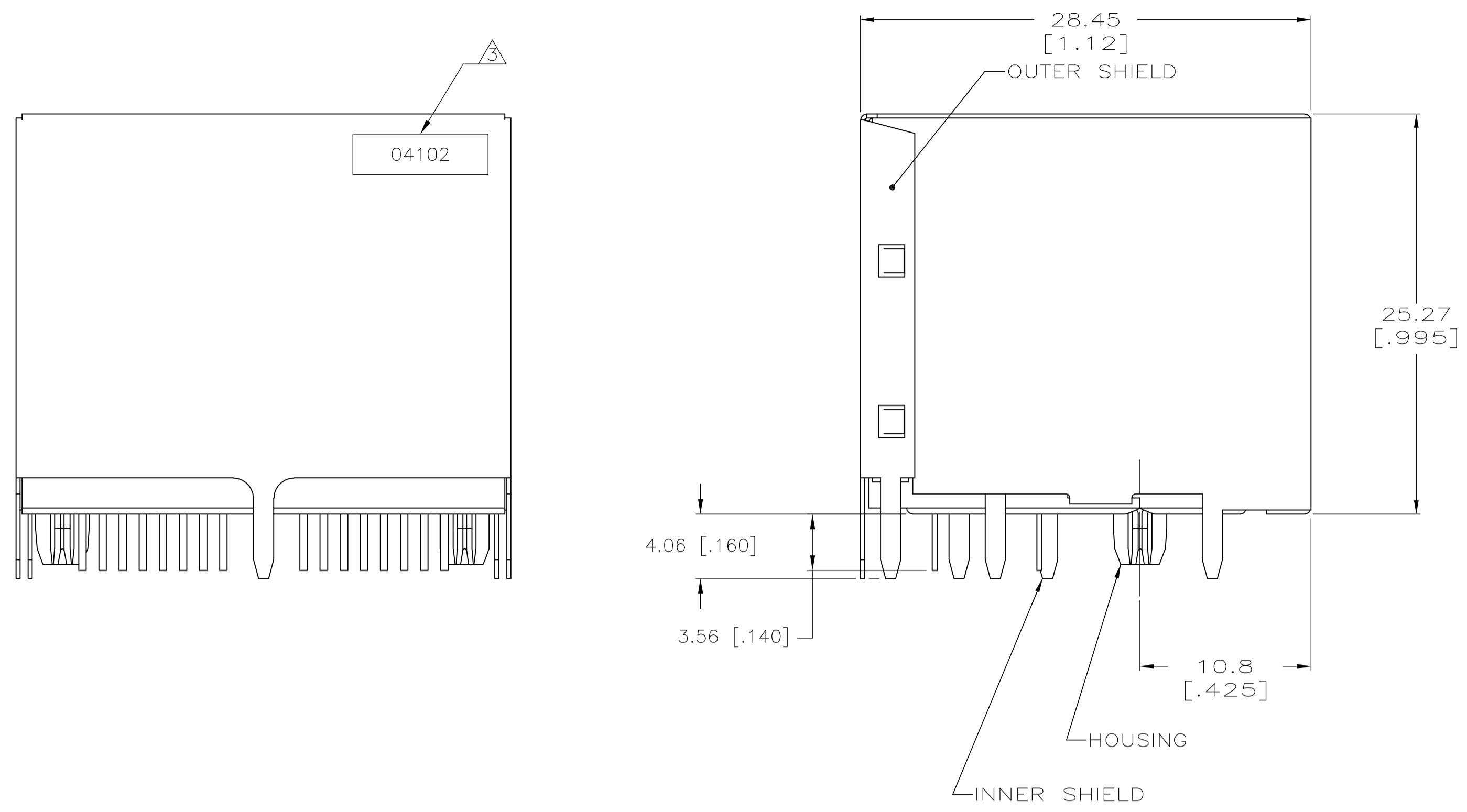
JAMECO[®]
ELECTRONICS

www.Jameco.com ♦ 1-800-831-4242

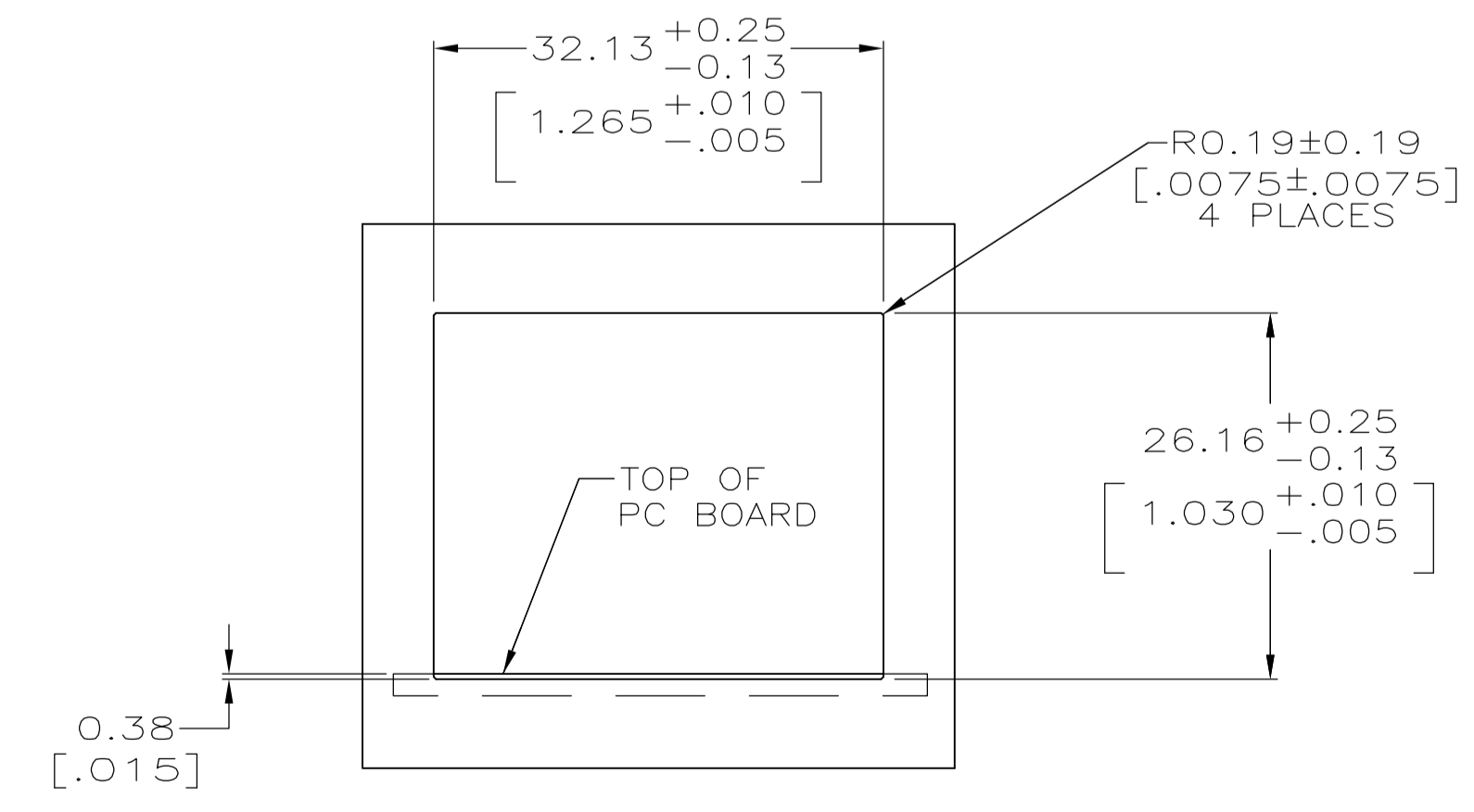
The content and copyrights of the attached
material are the property of its owner.

Jameco Part Number 1405157

LOC		DIST		REVISIONS			
P	LTR	DESCRIPTION	DATE	DWN	APVD	REV	REV
A	REV PER EC	OS11-0201-04	14JUN2005	AF	SF		



PC BOARD LAYOUT VIEWED FROM COMPONENT SIDE
 SCALE 2:1



SUGGESTED PANEL CUTOUT DIMENSIONS
 SCALE 2:1

MATERIAL:
 HOUSING - PCT POLYESTER, BLACK, UL94V-0.
 OVERMOLDED TERMINAL ARRAY - PBT, BROWN.
 TERMINALS - 0.33 [.013] THICK PHOS BRONZE
 PLATED WITH 1.27µm [.000050] MIN THICK
 HARD GOLD IN LOCALIZED AREA AND 3.81µm
 [.000150] MIN THICK MATTE TIN IN SOLDER
 AREA OVER 1.27µm [.000050] MIN THICK
 NICKEL UNDERPLATE.
 SHIELD - 0.25 [.010] THICK COPPER ALLOY
 PLATED WITH 2.03µm [.000080] MIN BRIGHT TIN
 OVER 1.27µm [.000050] MIN NICKEL.

**JACK CAVITY CONFORMS TO FCC RULES AND
 REGULATIONS, PART 68 SUBPART F.**

**DATE CODE LOCATED ON REAR OF PART
 APPROXIMATELY AS SHOWN:
 FIRST 2 DIGITS ARE LAST 2 DIGITS OF YEAR,
 SECOND 2 DIGITS ARE MANUFACTURING
 WORK WEEK,
 LAST DIGIT IS DAY OF WEEK, WITH SUNDAY = 1.**

5569255-1
 PART NUMBER

THIS DRAWING IS A CONTROLLED DOCUMENT.		DWN A. FERNANDEZ-DOCKES	14JUN2005		Tyco Electronics Corporation Harrisburg, PA 17105-3608	
DIMENSIONS: mm [INCHES]		CHK S. WESTMAN	14JUN2005		APVD S. FLICKINGER	NAME
TOLERANCES UNLESS OTHERWISE SPECIFIED:		0 PLC ± -		PRODUCT SPEC		
		1 PLC ± -		108-1163-2		
		2 PLC ± 0.25[.01]		APPLICATION SPEC		
		3 PLC ± 0.13[.005]		114-2048		
		4 PLC ± -		SIZE CAGE CODE DRAWING NO		
		ANGLES ± -		A1 00779 C=5569255		
MATERIAL		FINISH		RESTRICTED TO		
				CUSTOMER DRAWING		
				SCALE 4:1 SHEET 1 OF 1 REV A		