

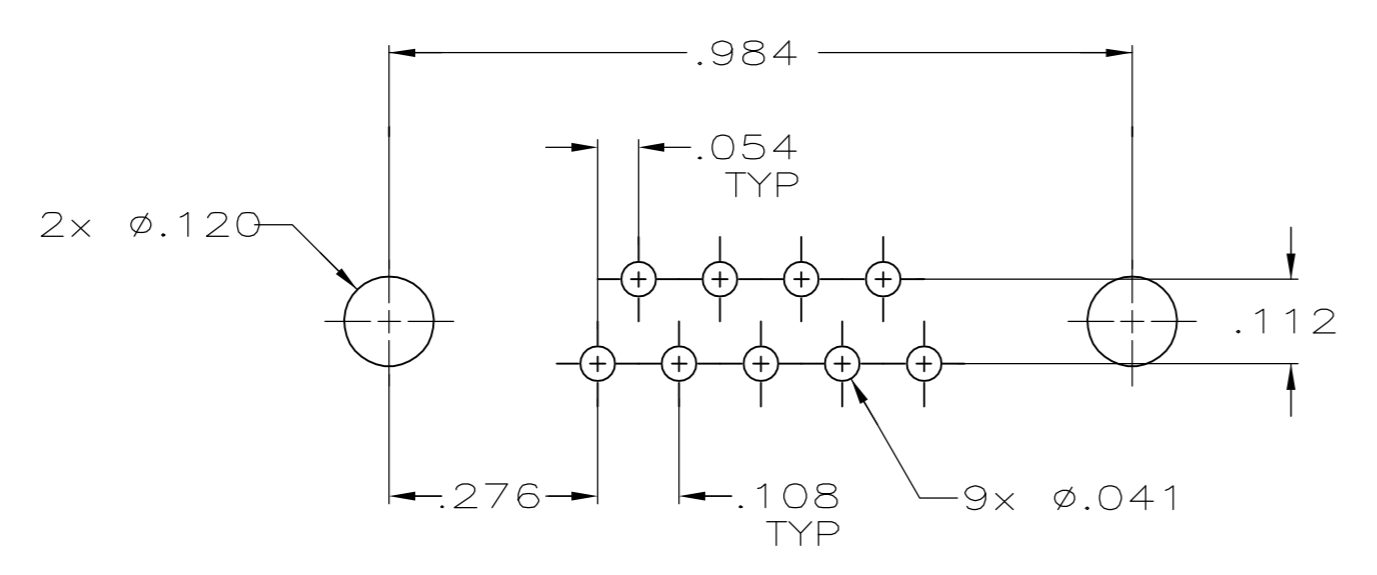
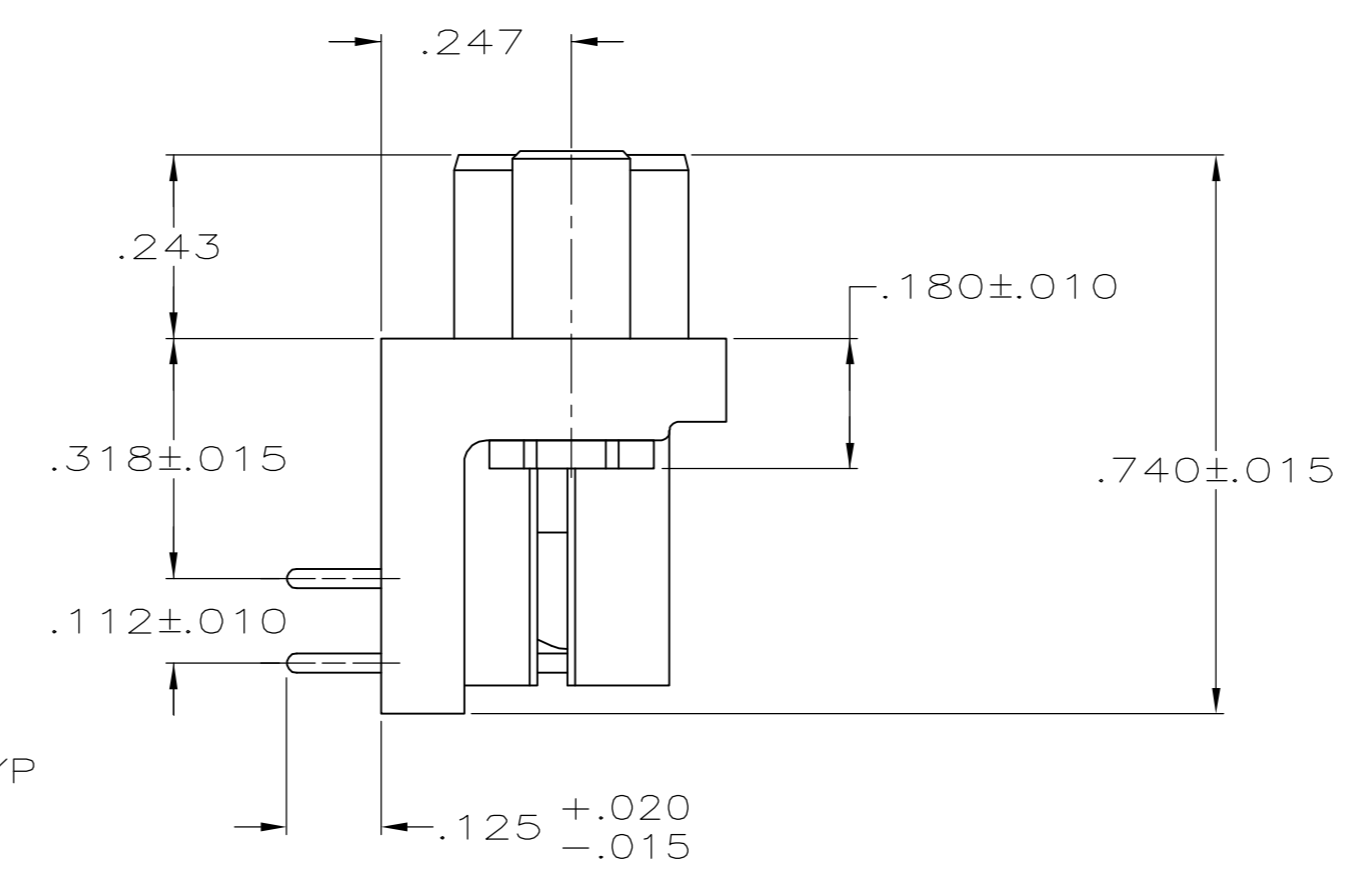
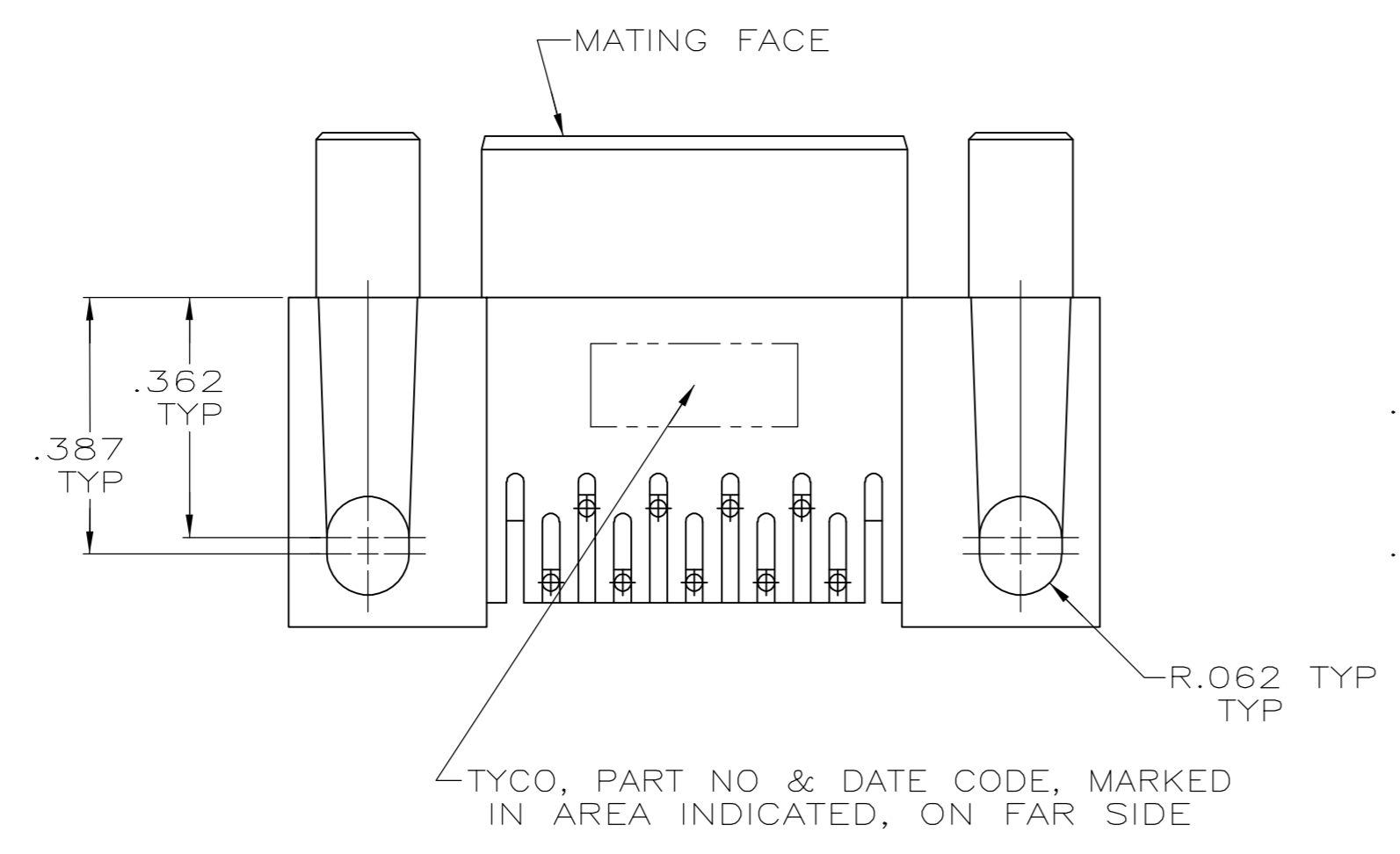
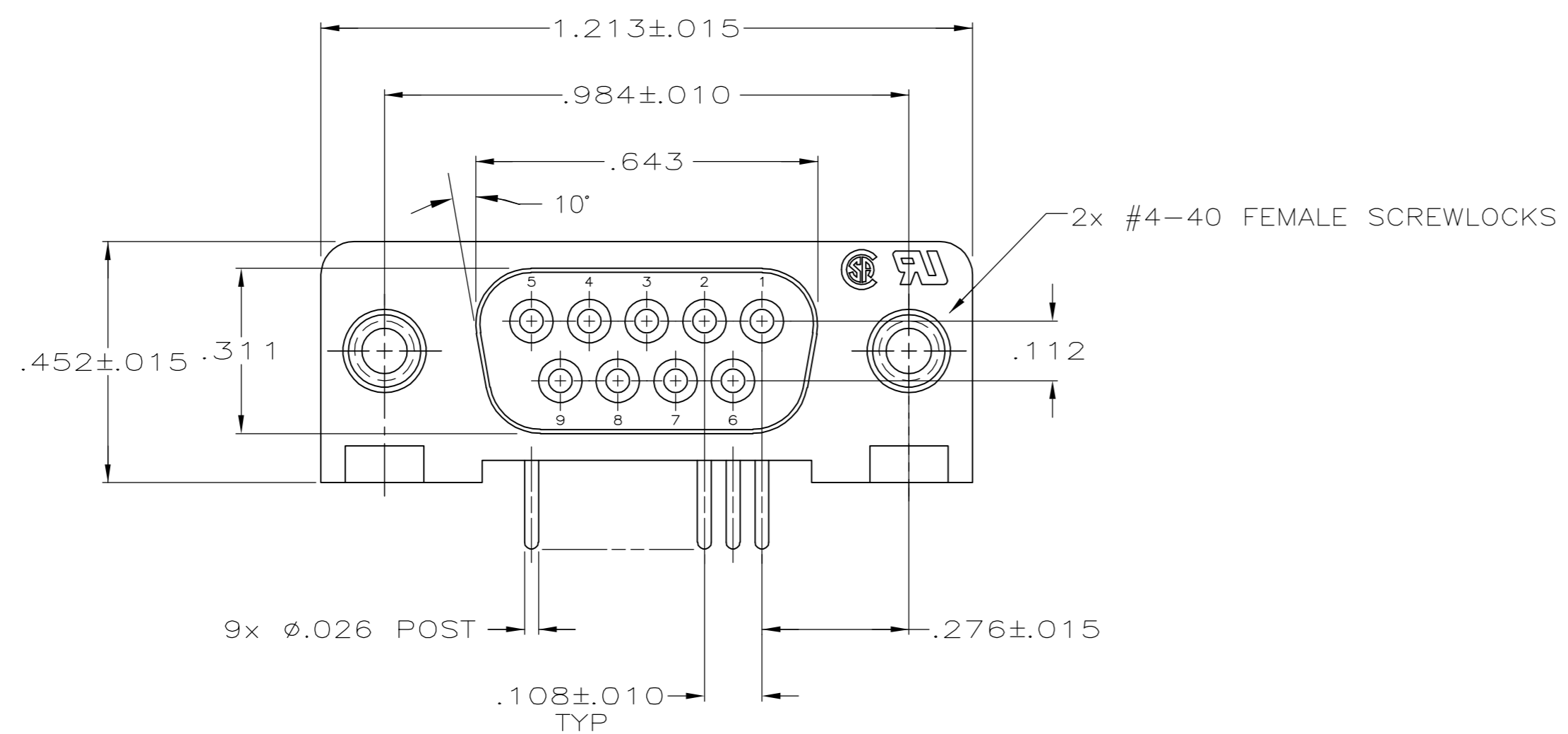
Distributed by:

JAMECO[®]
ELECTRONICS

www.Jameco.com ♦ 1-800-831-4242

The content and copyrights of the attached
material are the property of its owner.

Jameco Part Number 1405245



P.C. BOARD MOUNTING DIMENSIONS

- HOUSING: FLAME RETARDANT, 94V-0 RATED, GLASS FILLED NYLON OR POLYESTER, COLOR: BLACK.
CONTACTS: PHOS. BRONZE.
SCREWLOCKS: ZINC
- REFER TO APPLICATION SPEC FOR RECOMMENDED P.C. BOARD MOUNTING DIMENSIONS FOR AUTOMATIC INSERTION.
- CONTACTS: PLATED WITH .000030 MIN GOLD FOR LENGTH OF .055 MIN FROM MATING END, .000100 MIN TIN ON SOLDER END, ALL OVER .000050 MIN NICKEL ON ENTIRE CONTACT.
SCREWLOCKS: CLEAR CHROMATE COATING

TUBES	5745395-3
TRAYS	5745395-2
PACKAGING	PART NUMBER

**COPYRIGHT 2005
 TYCO ELECTRONICS CORP
 ALL RIGHTS RESERVED**

THIS DRAWING IS A CONTROLLED DOCUMENT.		DWN G. PETERS 15SEP05			Tyco Electronics Corporation Harrisburg, PA 17105-3608	
DIMENSIONS: INCHES		CHK S. BOLASH 15SEP05	NAME M. WALMSLEY 15SEP05		PRODUCT SPEC 108-40025	
TOLERANCES UNLESS OTHERWISE SPECIFIED: 0 PLC ± - 1 PLC ± - 2 PLC ± - 3 PLC ± .005 4 PLC ± - ANGLES ± °		APPLICATION SPEC 114-40015		SIZE A1		RESTRICTED TO
MATERIAL		WEIGHT		SCALE 4:1		SHEET 1 OF 1
CUSTOMER DRAWING		DRAWING NO 00779		PART NO 5745395		REV 0