

Distributed by:

**JAMECO**<sup>®</sup>  
ELECTRONICS

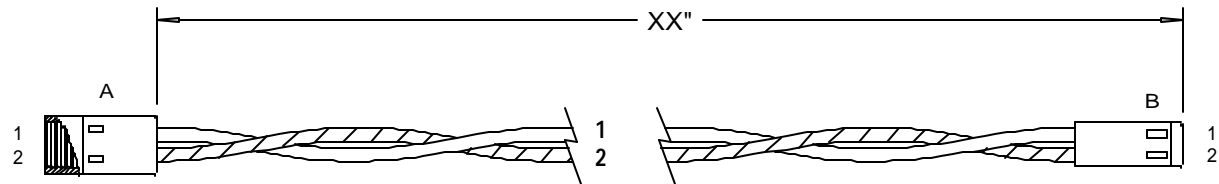
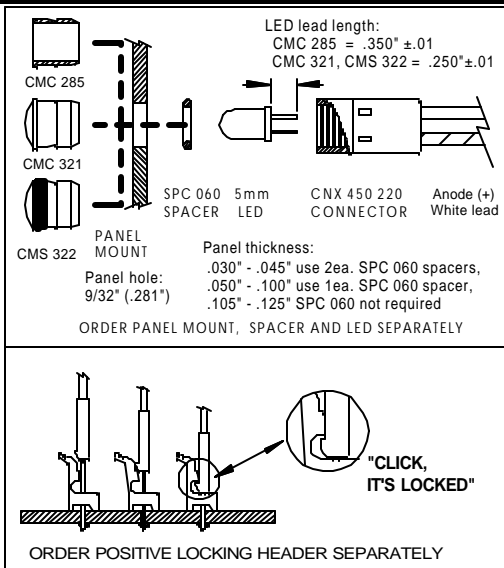
**www.Jameco.com ♦ 1-800-831-4242**

The content and copyrights of the attached  
material are the property of its owner.

Jameco Part Number 143037

# CNX C E 2 1 XX

Jameco Part Number 143036



Customer Name: \_\_\_\_\_

Address: \_\_\_\_\_

Customer Contact: \_\_\_\_\_

Phone: \_\_\_\_\_ Fax: \_\_\_\_\_

Customer approval: \_\_\_\_\_

Date of approval : \_\_\_\_\_

**NOTES:**

- 1) Material: U.L. Rating - "Thermoplastic material used on a secondary circuit"
- 2) Wire: 22 awg (105° C) color Black / White
- 3) Panel Mounting: CMC 321 or CMS 322 lense - panel hole size .281"  
 PCB Mounting: VCC Pin Header, positive locking series or equal

**CABLE ASSEMBLY BILL OF MATERIALS**

ITEM	P/N	DESCRIPTION	COLOR	LENGTHS
A	450220	5MM CONNECTOR		STANDARD
B	450302	2 POSITION LOCKING HEADER CONNECTOR		4 INCH 6 INCH 8 INCH 10 INCH 12 INCH 18 INCH
1	WIRE	22 AWG 1007 / 1569	WHITE	24 INCH
2	WIRE	22 AWG 1007 / 1569	BLACK	OPTIONAL LENGTHS AVAILABLE

U.S. / FOREIGN PAT. ISSUED & PEND.

REVISIONS				VCC P/N: CNX C E 2 1 XX			
NO	DESCRIPTION	DATE	BY				
1							
2							
3							
4							
5							

<b>VCC</b> VISUAL COMMUNICATIONS COMPANY, INC.					
7920-F Arjons Drive San Diego, California 92126 U.S.A.					
Phone (858) 549-6900 Fax (858) 549-3520 e-mail vccsales@vccite.com					
TOLERANCES	SCALE	N/A	DATE	03/04/99	DRAWING NO.
DECIMAL ±.500	DIAMETER		DRAWN BY	JMS	
ANGLE	RADI		CHK'D		