

5

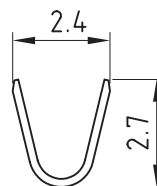
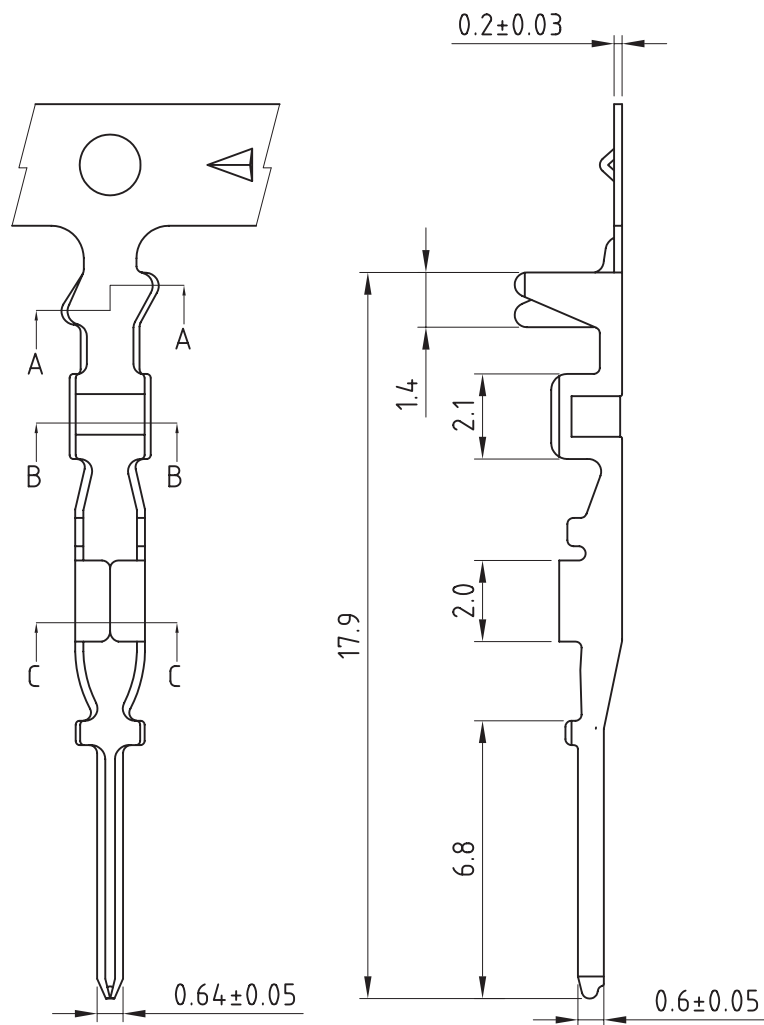
4

3

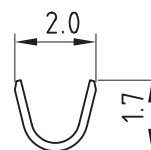
2

1

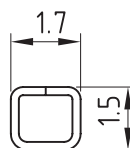
Date	Rev.	Description



SEC:A-A



SEC:B-B



SEC:C-C

## SPECIFICATION:

CURRENT RATING : 3A AC/DC

VOLTAGE RATING : 250V AC/DC

CONTACT RESISTANCE : 20mΩ(max.)

INSULATION RESISTANCE : 1,000MΩMIN

WITHSTAND VOLTAGE : 800V AC/MINUTE

TEMPERATURE RANGE : -25°C TO +85°C

APPLICABLE WIRE : AWG #22 TO #28

ACCEPTS : TU5005 SERIES HOUSING

## CONTACT INFORMATION

Part No	Wire Range	Insulation O.D.	Material	Finish	Qty/reel
TB5005TBM-XX	AWG #22-#28	1.60mm(max.)	Brass	See note	10,000 pcs

note:

-AE:Stamping Before Ting Plated

-GO:Gold-flash

For this product in a different specification please contact TYU for more information

DCC. NO.
A4 DRAWING NO.

MATERIAL		<b>GOLDSUN ELECTRONICS CO., LTD.</b>			
		JAMECO NO.	GOLDSUN NO.		
		145358	TB5005TBM-AE		
DRAWN: Colin Hang		DESCRIPTION CRIMP PIN MALE		Rev.	1
VERIFY PEOPLE: Penny		UNIT: mm	SCALE:	SHEET 1 OF 1	CAS No: ERN No: