

.165"(4.20mm) pitch Mini Fit Power connectors

CW4201 Series

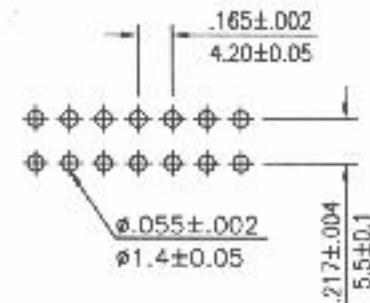
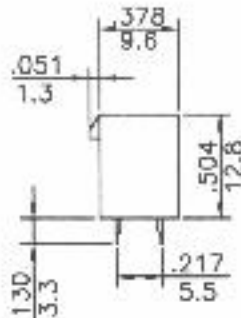
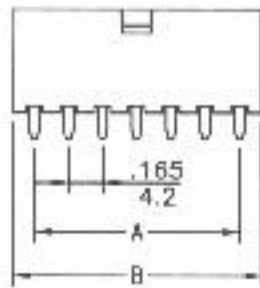
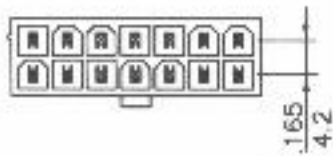
- * Poles: 2-24
- * Material: Insulator: NYLON66 UL94V-2
- * Contact: brass, tin plated 60u"
- * Mates with CH4201 series housing

Specifications

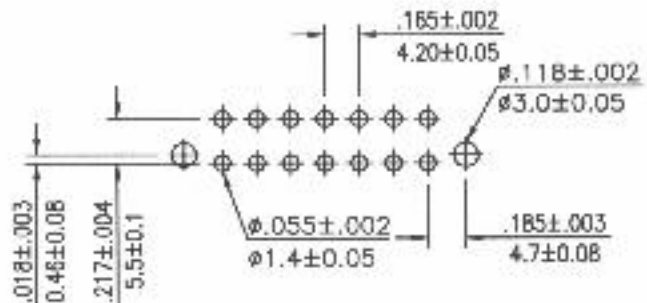
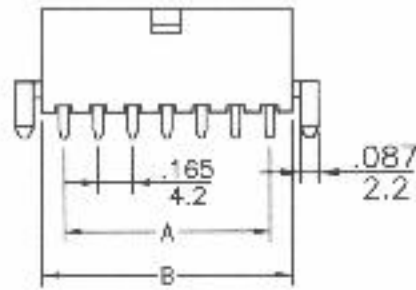
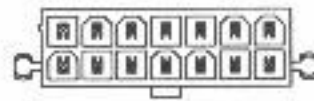
- * Current rating: 7A AC, DC
- * Voltage rating: 250V AC, DC
- * Temperature range: -25°C ~ +85°C
- * Insulation resistance: 1,000MΩ min.
- * Withstand voltage: 1500V AC/minute
- * Applicable PC board thickness: .063" (1.6mm)

inches
mm

CW4201S



CW4201SA



P.C. Board Layout

P.C. Board Layout

CIRCUITS	PART NO.	PART NO.	DIMENSION in.(mm)	
			A	B
2	CW4201S-2X1	CW4201SA-2X1		0.205(5.2)
4	CW4201S-2X2	CW4201SA-2X2	0.165(4.20)	0.370(9.4)
6	CW4201S-2X3	CW4201SA-2X3	0.331(8.40)	0.535(13.6)
8	CW4201S-2X4	CW4201SA-2X4	0.496(12.60)	0.701(17.8)
10	CW4201S-2X5	CW4201SA-2X5	0.661(16.80)	0.866(22.0)
12	CW4201S-2X6	CW4201SA-2X6	0.837(21.00)	1.031(26.2)
14	CW4201S-2X7	CW4201SA-2X7	0.992(25.20)	1.197(30.4)
16	CW4201S-2X8	CW4201SA-2X8	1.157(29.40)	1.362(34.6)
18	CW4201S-2X9	CW4201SA-2X9	1.323(33.60)	1.528(38.8)
20	CW4201S-2X10	CW4201SA-2X10	1.488(37.80)	1.693(43.0)
22	CW4201S-2X11	CW4201SA-2X11	1.654(42.00)	1.858(47.2)
24	CW4201S-2X12	CW4201SA-2X12	1.819(46.20)	2.024(51.4)