

# TOP WILLING CO., LTD.

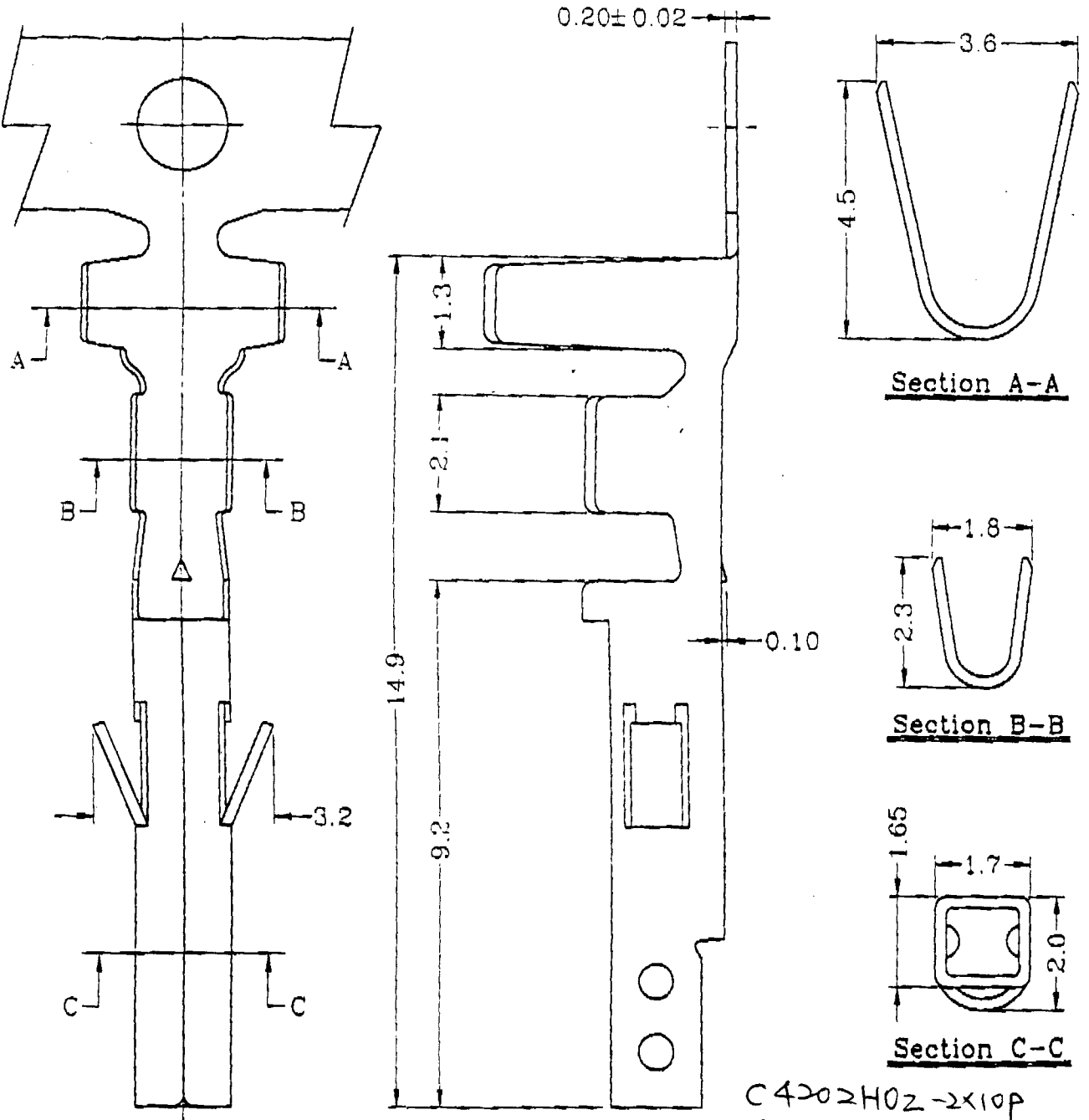
147395

DOCUMENT NO.

RDE0060A

SERIAL NO.

C4202T



C4202H02-2x10P female contacts

Specifications & Ordering Information:

Part No	Wire Range	Insulation O.D.	Material	Finish	Qty/reel
C4202TOB-2	AWG #18~#22	2.80mm(max)	Brass	Tin-plated	4,000 PCS
C4202TOP-2	AWG #18~#22	2.80mm(max)	Phosphor bronze	Tin-plated	4,000 PCS

REV	ECN NO.	UNIT	TOLERANCE	PROJECTION	DRAWING	CHECK	APPROVAL
A	NEW DRAWING	mm	*** ± 0.08 ** ± 0.15 * ± 0.25				