

1015-9M-R

NOTE:

MATERIAL: zinc alloy
 FINISHED: chromate plated
 R=ROHS環保料(件)

SERIES NO.:

117=D-SUB METAL HOOD

CONTACT NUMBER:

09=09PIN

TYPE OPTION:

V=V TYPE(V型)

CABLE ENTRY SIZE:

DIMENSION OF "X"

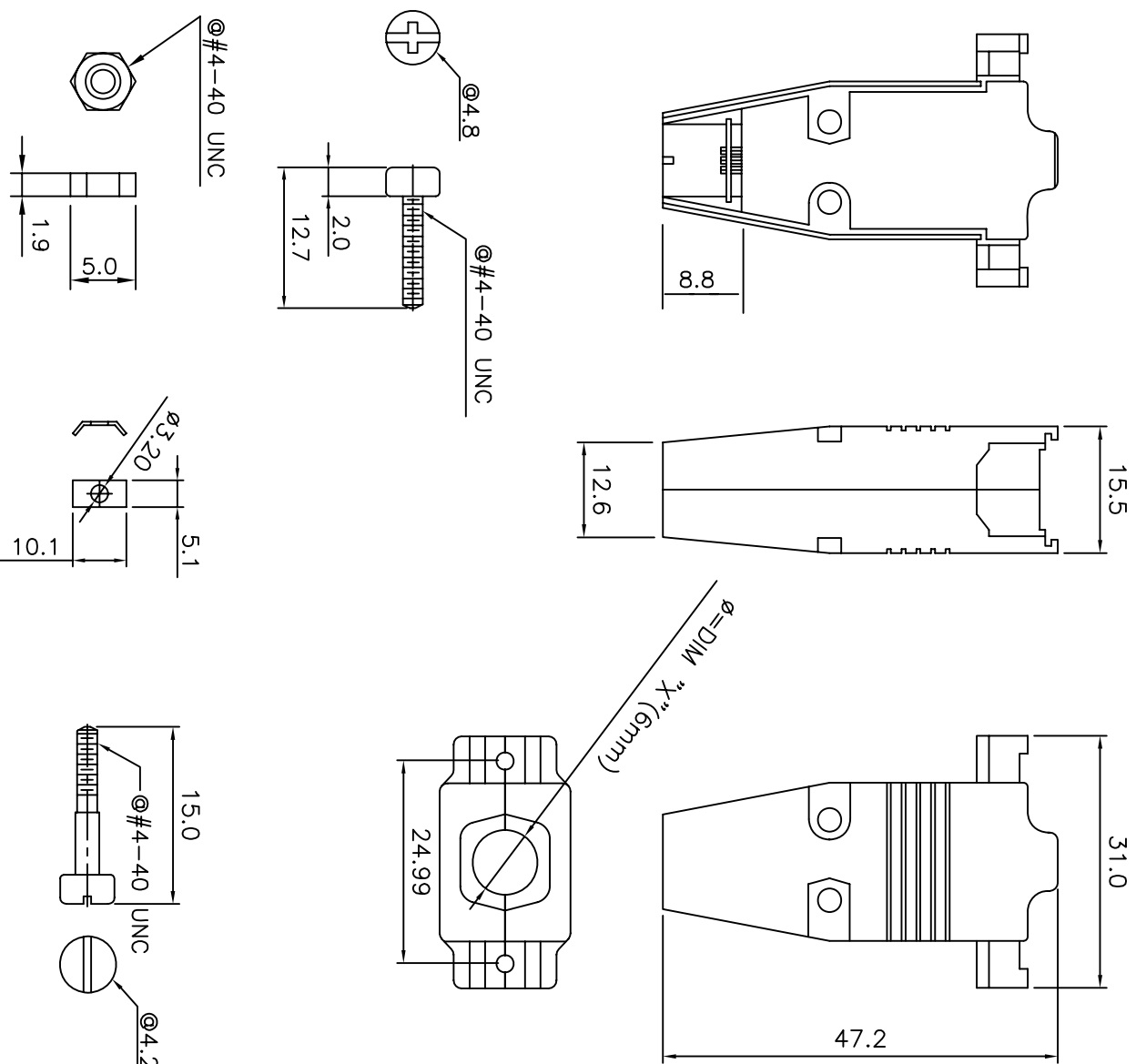
A=5.0mm B=6.0mm

C=7.0mm D=8.0mm

E=9.0mm

PARTS OPTION:

SHORT SCREW



UNLESS OTHERWISE SPECIFIED TOLERANCE		UNIT: mm	
ANG.	F3	F3	F3
0.	±0.5	±0.5	±0.2
.00	±0.3	±0.3	±0.2
.00	±0.2	±0.2	±0.2

Top Willing Co., Ltd.

SCALE: 1:1

DATE / Y2K	DATE / Y2K	DATE / Y2K	DATE / Y2K	DATE / Y2K	DATE / Y2K	DATE / Y2K	DATE / Y2K	DATE / Y2K	DATE / Y2K
04/05/07	04/05/07	04/05/07	04/05/07	04/05/07	04/05/07	04/05/07	04/05/07	04/05/07	04/05/07

REV.	DESCRIPTION	DATE / Y2K	SIZE	REV.	FILE NAME:
A		04/05/07	A4	A	R117-09V
1					