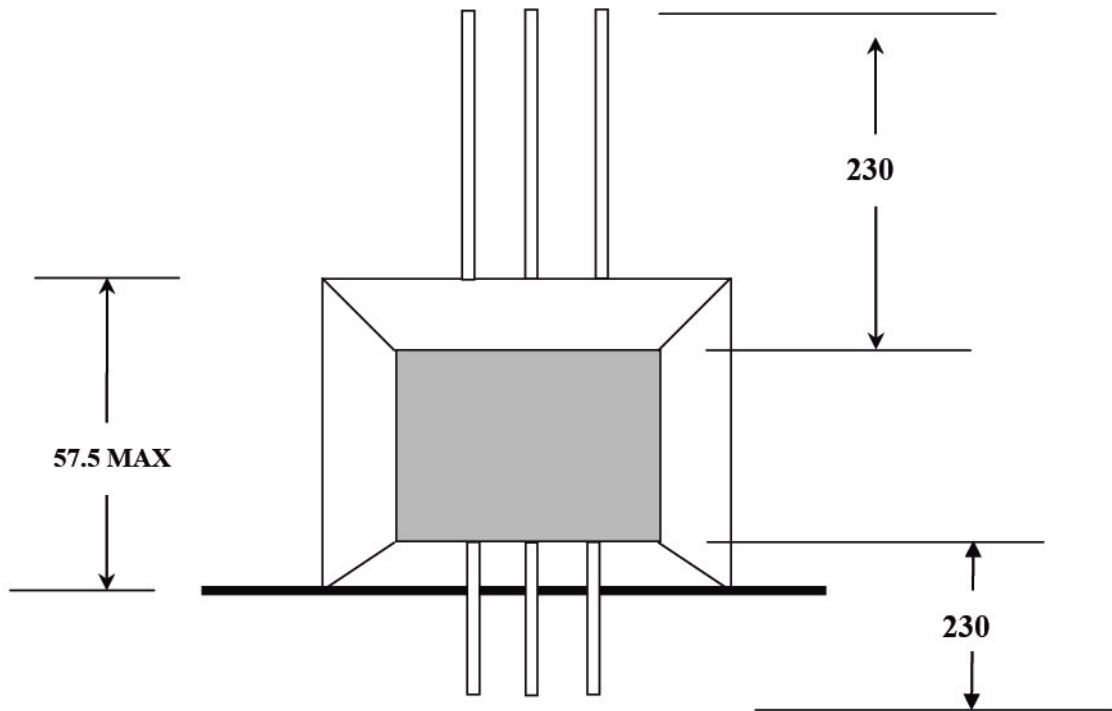
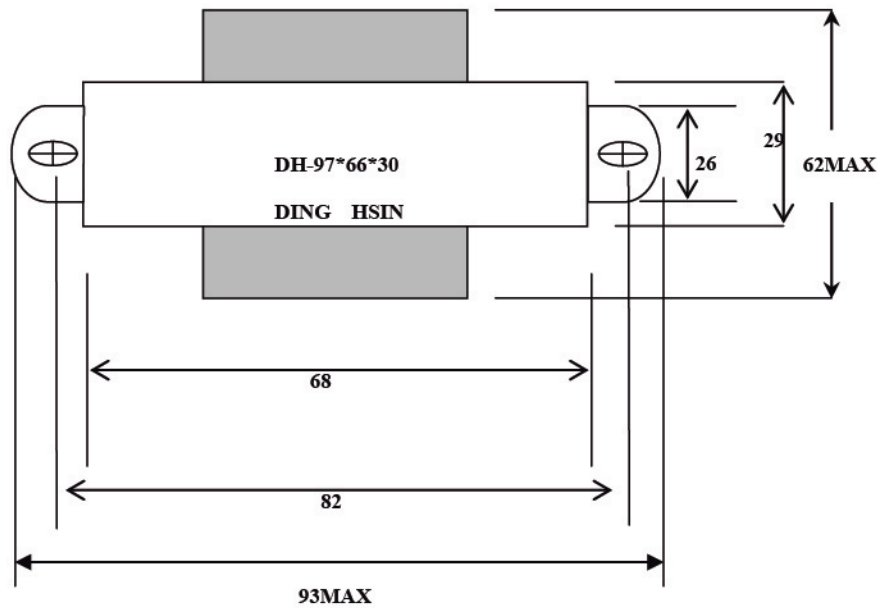


MATERIAL LIST :

NO	Material	
1	BOBBIN	NYLON
		H 50
2	SILICON	
3	WIRE	2UEW 130°C
4	TAPE	
5	PAPER	0.25 mm
6	PVC	1015*20AGW
7	PVC	1015*20AGW
8	L	
9		

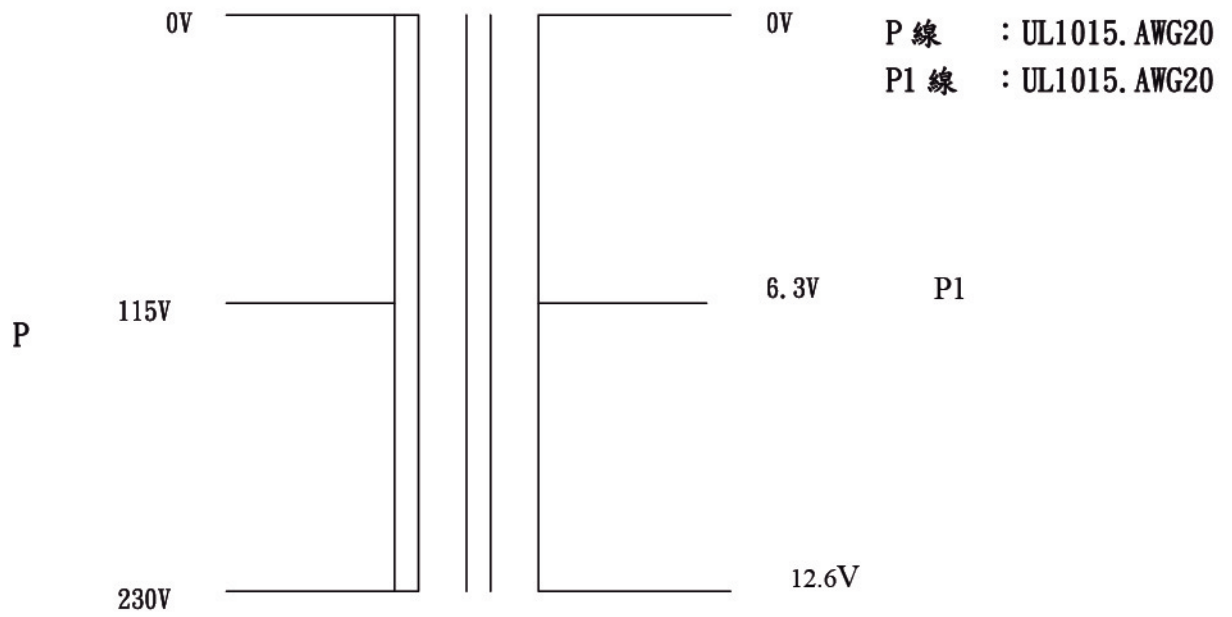
**GOLDSUN ELECTRONICS CO., LTD.**

JAMECO NO.	149771	GOLDSUN NO.	PT-12666-R
Description	POWER TRAN. 12.6VAC@4A 115/230VAC WIRE LEADS		Rev. 1
UNIT:	SCALE:	SHEET 1 OF 1	CAS No: ERN No:
mm			



**GOLDSUN ELECTRONICS CO., LTD.**

JAMECO NO. <b>149771</b>		GOLDSUN NO. <b>PT-12666-R</b>	
Description POWER TRAN. 12.6VAC@4A 115/230VAC WIRE LEADS			Rev. <b>1</b>
UNIT: mm	SCALE:	SHEET 1 OF 1	CAS No: ERN No:



1. TYPE: Single Phase Power Transformer
2. Output capacity: 40 VA
3. Primary Voltage: 115V      230V
4. Primary Voltage: P1 : 6.3V      P2 : 12.6V
5. Secondary current: P1 : P1 : 4A      P2 : 4A
6. Frequency : 50/60Hz
7. Time frame: continuous
8. Insulation resistance: DC500V 100MΩabove
9. Insulation endurance: AC1500V 1min 50Hz P-S
10. Temperature: Below 70deg
11. Voltage mobility rate: below 10%
12. Voltage deviation: within ±5%
13. RoHS

<b>GOLDSUN ELECTRONICS CO., LTD.</b>			
JAMECO NO. <b>149771</b>		GOLDSUN NO. <b>PT-12666-R</b>	
Description POWER TRAN. 12.6VAC@4A 115/230VAC WIRE LEADS			Rev. <b>1</b>
UNIT: mm	SCALE:	SHEET 1 OF 1	CAS No: ERN No: