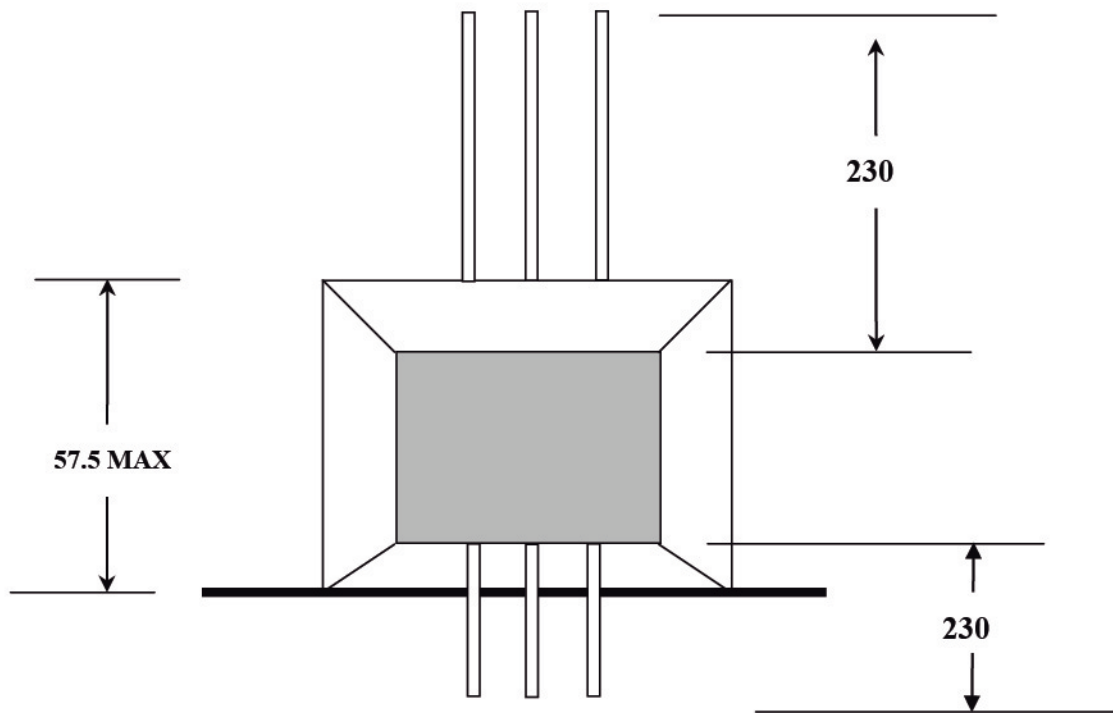
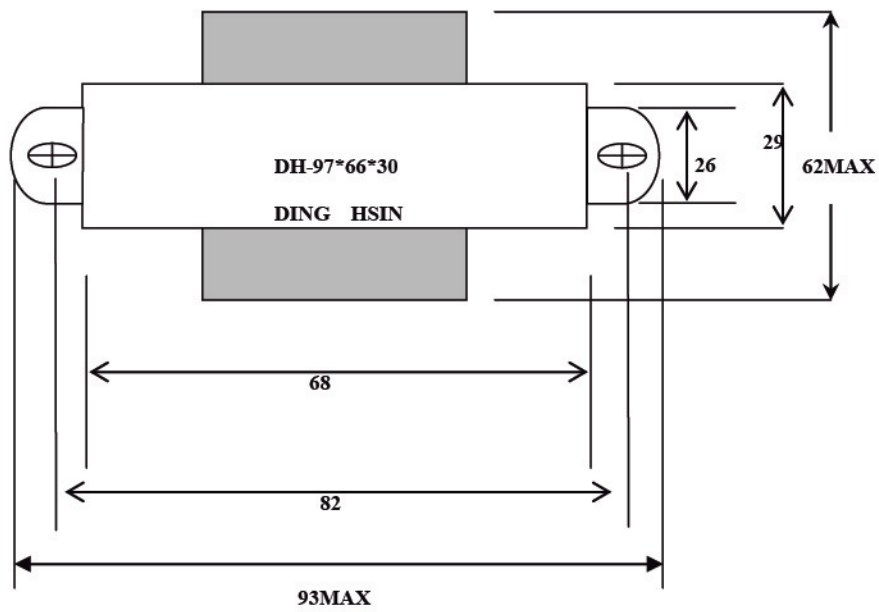


MATERIAL LIST :

NO	Material	
1	BOBBIN	NYLON
		H 50
2	SILICON	
3	WIRE	2UEW 130°C
4	TAPE	
5	PAPER	0.25 mm
6	PVC	1015*20AGW
7	PVC	1015*20AGW
8	L	
9		

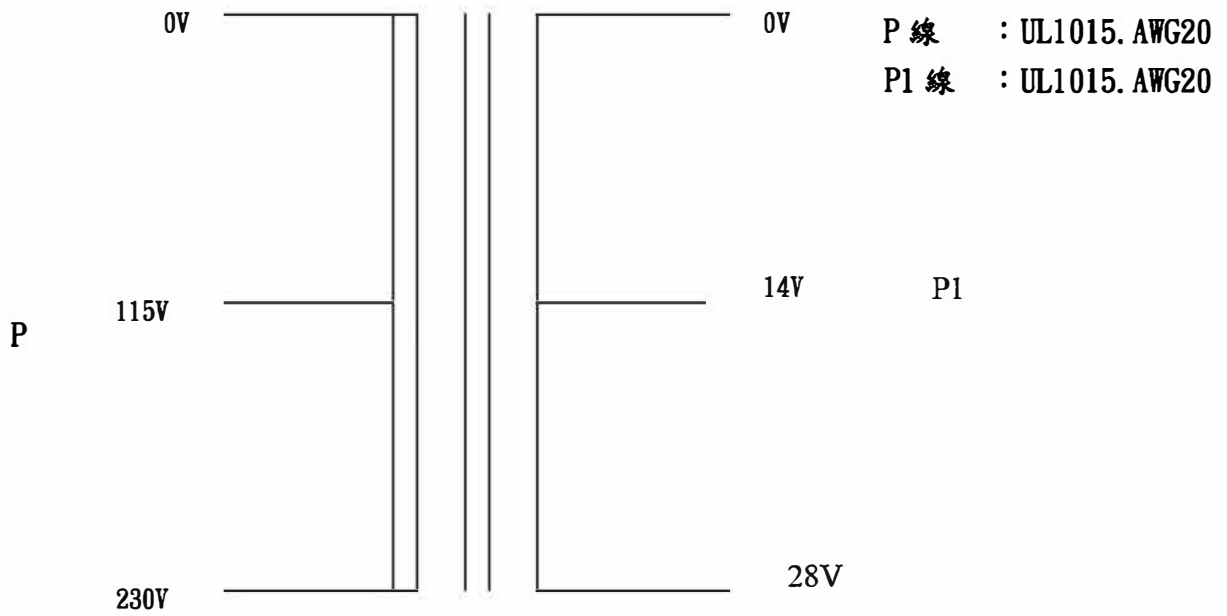
GOLDSUN ELECTRONICS CO., LTD.

JAMECO NO. 149797		GOLDSUN NO. PT-2866-R	
Description POWER TRAN. 28VAC@2A 115/230VAC WIRE LEADS			Rev. 1
UNIT: mm	SCALE:	SHEET 1 OF 1	CAS No: ERN No:



GOLDSUN ELECTRONICS CO., LTD.

JAMECO NO. 149797		GOLDSUN NO. PT-2866-R	
Description POWER TRAN. 28VAC@2A 115/230VAC WIRE LEADS			Rev. 1
UNIT: mm	SCALE:	SHEET 1 OF 1	CAS No: ERN No:



1. TYPE: Single Phase Power Transformer
2. Output capacity: 56 VA
3. Primary Voltage: 115V 230V
4. Primary Voltage: P1 : 14V P2 : 24V
5. Secondary current: P1 : P1 : 2A P2 : 2A
6. Frequency : 50/60Hz
7. Time frame: continuous
8. Insulation resistance: DC500V 100MΩabove
9. Insulation endurance: AC1500V 1min 50Hz P-S
10. Temperature: Below 70deg
11. Voltage mobility rate: below 10%
12. Voltage deviation: within ±5%
13. RoHS

GOLDSUN ELECTRONICS CO., LTD.			
JAMECO NO. 149797		GOLDSUN NO. PT-2866-R	
Description POWER TRAN. 28VAC@2A 115/230VAC WIRE LEADS			Rev. 1
UNIT: mm	SCALE:	SHEET 1 OF 1	CAS No: ERN No: