

Distributed by:

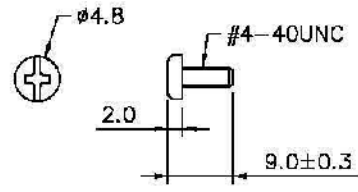
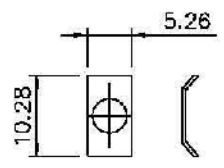
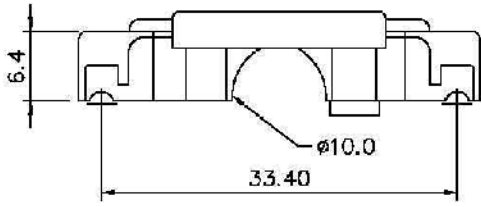
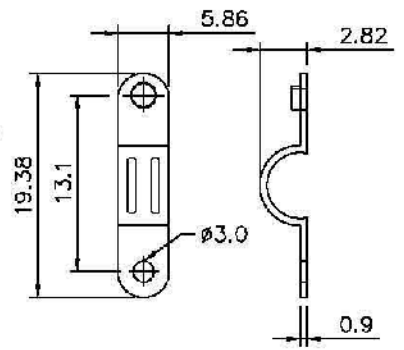
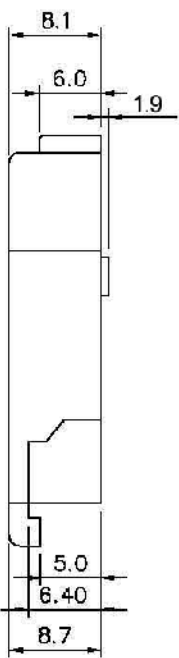
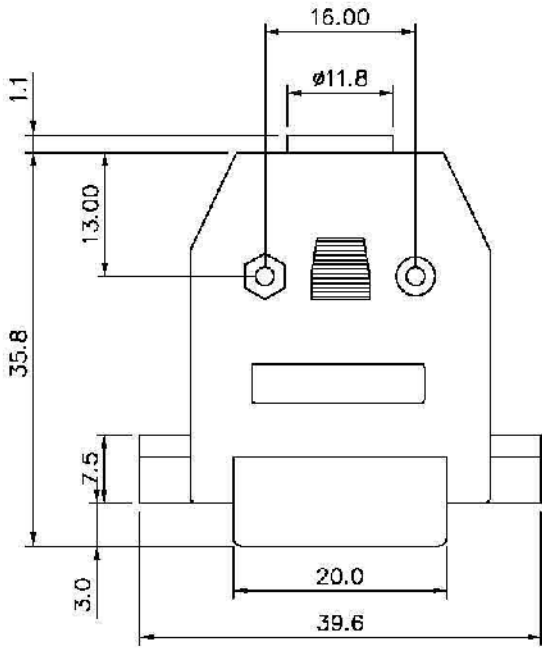
JAMECO[®]
ELECTRONICS

www.Jameco.com ♦ 1-800-831-4242

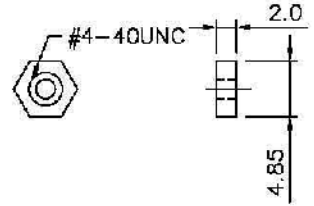
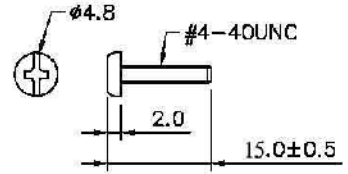
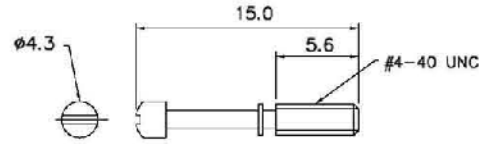
The content and copyrights of the attached
material are the property of its owner.

Jameco Part Number 15019

Date	Rev.	Description



△ SPECIFICATIONS
 Hood Material: ABS,UL 94HB
 Color: Gray,Black,Ivory
 Screw Nut &Clip And Other ,Nickel Plated
 Plated:1Set/Bag



UNLESS OTHERWISE SPECIFIED TOLERANCES ARE
 .X ±0.38
 .XX ±0.20
 .XXX
 UNIT mm

DCC. NO.
 A4 DRAWING NO.

MATERIAL		GOLDSUN ELECTRONICS CO., LTD.	
JAMECO NO. 15019		GOLDSUN NO. R101-15G	
DRAWN: Kiki Chen		Description D-SUB CONEECTOR HOODS	
VERIFY PEOPLE: Ada Zheng , Ivy Lan		Rev. 1	
UNIT: mm	SCALE:	SHEET 1 OF 1	CAS No: ERN No: