

Distributed by:

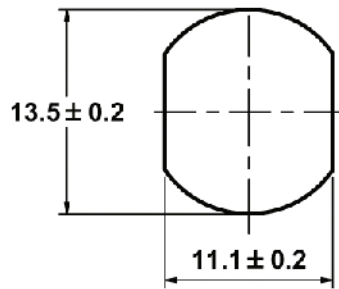
**JAMECO**<sup>®</sup>  
ELECTRONICS

**www.Jameco.com ♦ 1-800-831-4242**

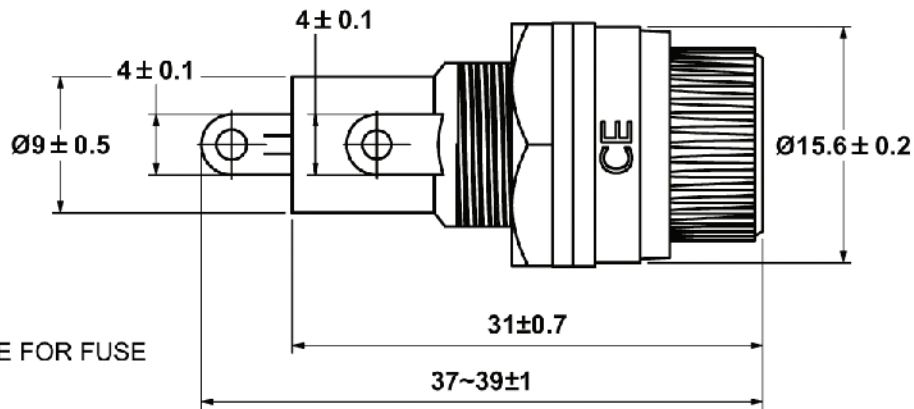
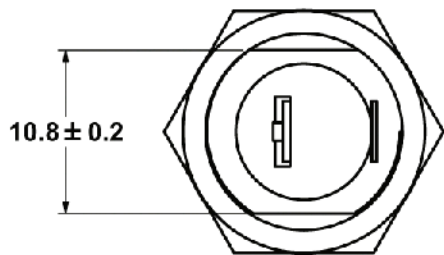
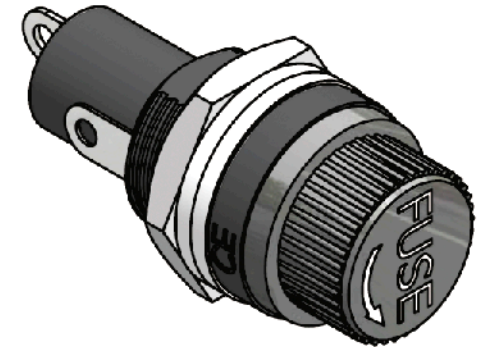
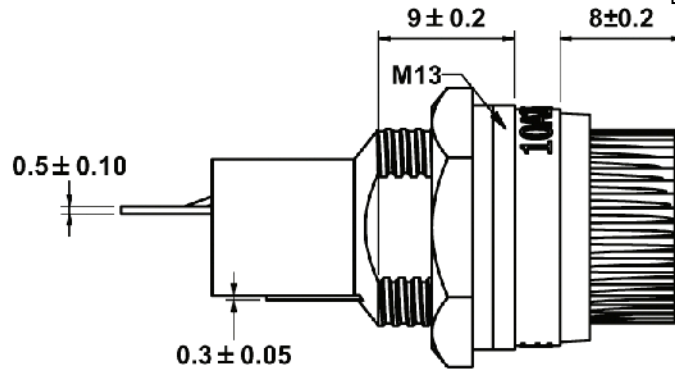
The content and copyrights of the attached  
material are the property of its owner.

Jameco Part Number 150464

Date	Rev.	Description



Recommended Mounting Hole



**FUSE HOLDER PANEL MOUNT TYPE FOR FUSE**

5X20mm

**SPECIFICATIONS:**

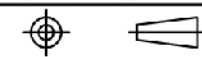
\*Electrical:Rated at 10A 250V AC

\*Insulating Body:NYLON

\*Konb:Screw-driver slot fuse extractor type with nickel-plated copper alloy insert. Spring loaded.

\*Terminals:Nickel-plated copper alloy,right angle terminal,solder type.

UNLESS OTHERWISE SPECIFIED  
DIMENSIONS ARE IN MM  
TOLERANCE  
DECIMALS ANGULAR  
X± 0.5 + 2°  
XX± 0.25  
DO NOT SCALE DRAWING



DCC. NO.
A4 DRAWING NO.

MATERIAL		<b>GOLDSUN ELECTRONICS CO., LTD.</b>	
		JAMECO NO. <b>150464</b>	GOLDSUN NO. JEF-603
DRAWN: Kiki Chen		Description FUSE HOLDER	
VERIFY PEOPLE: Ada Zheng , Ivy Lan		UNIT: mm	SCALE: SHEET 1 OF 1
		CAS No: ERN No:	Rev. 1