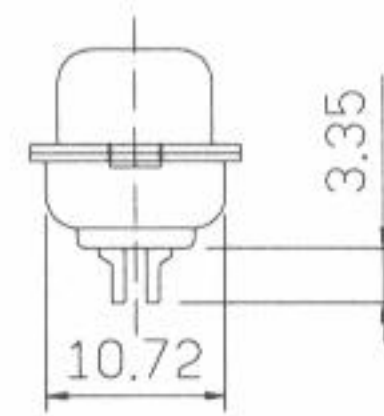
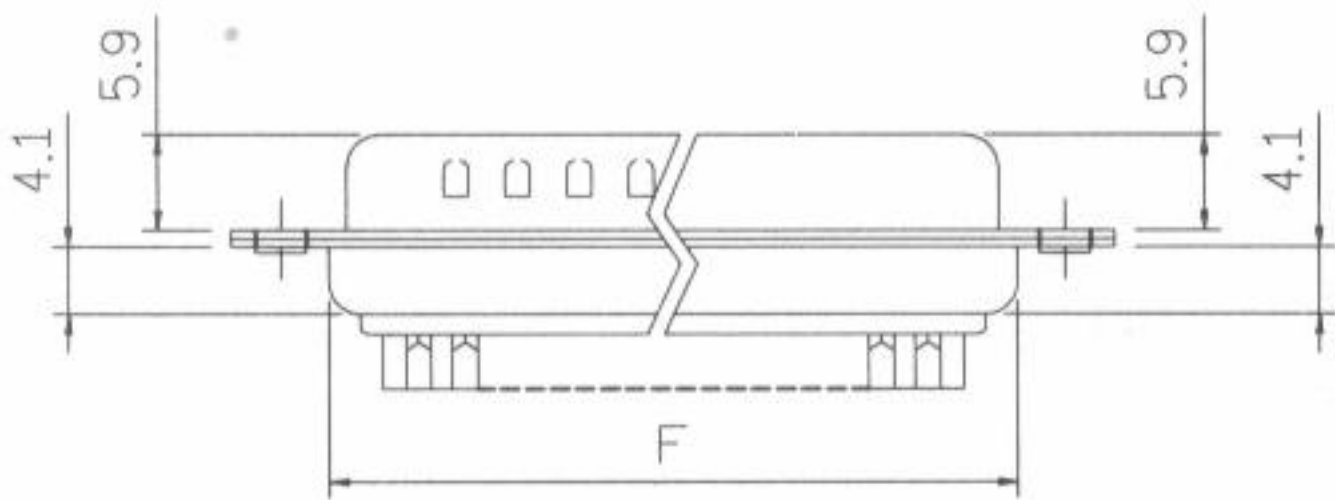
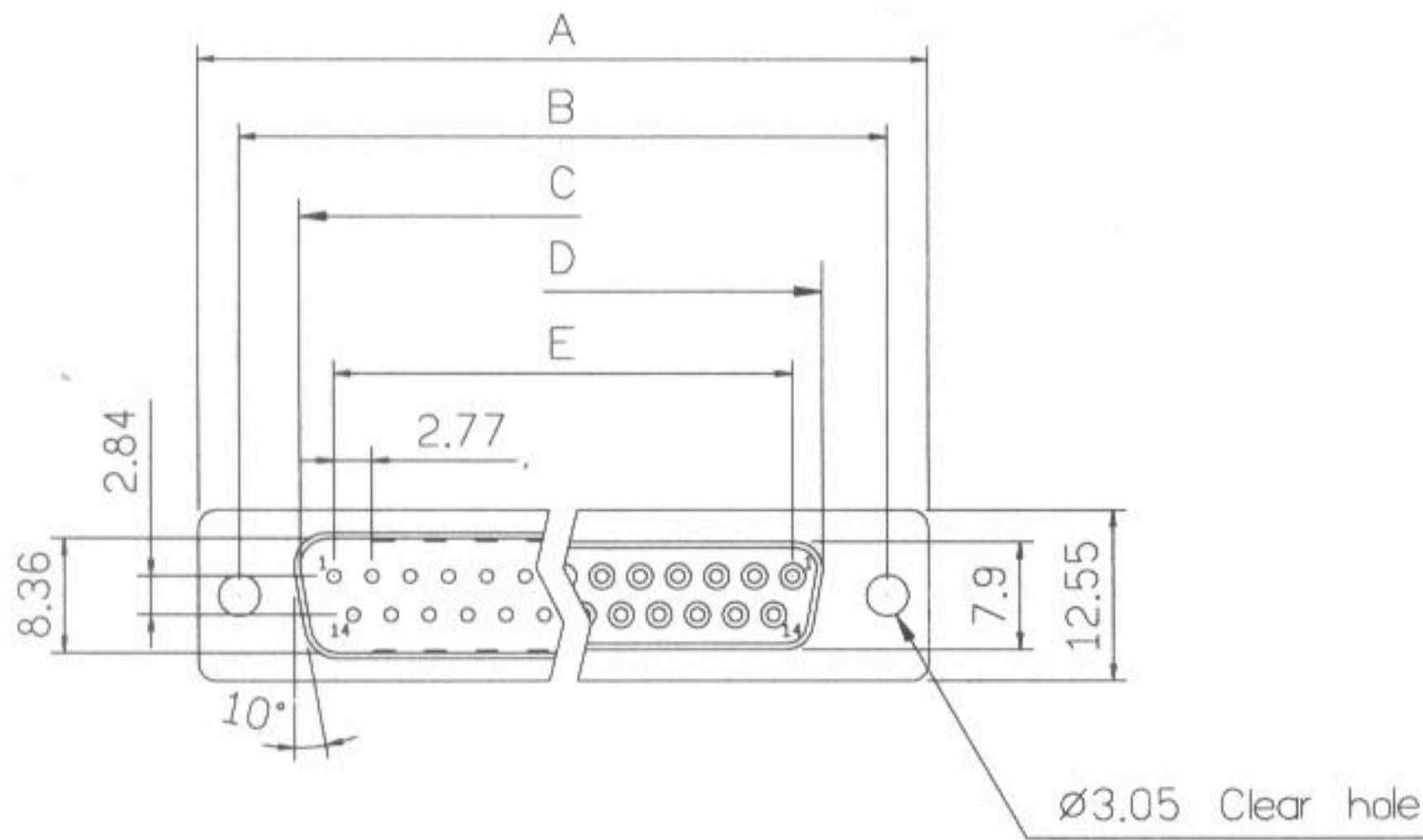
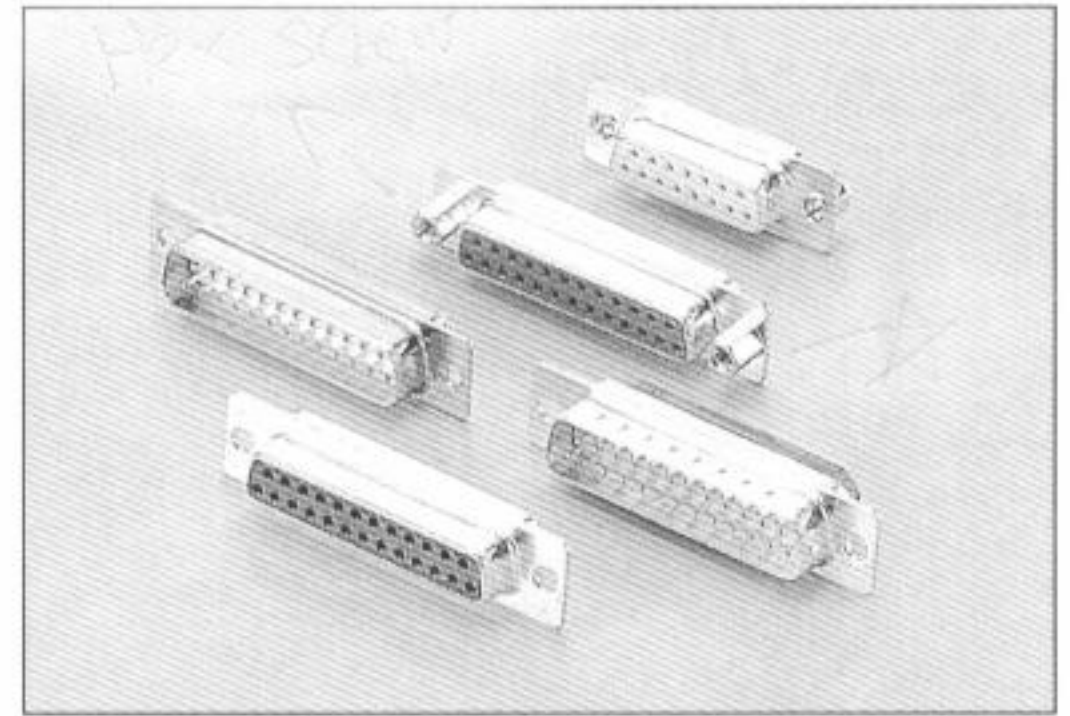


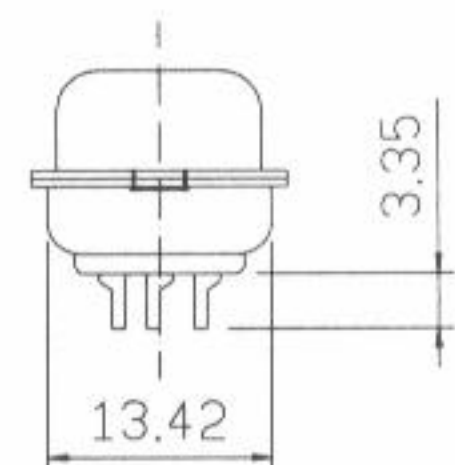
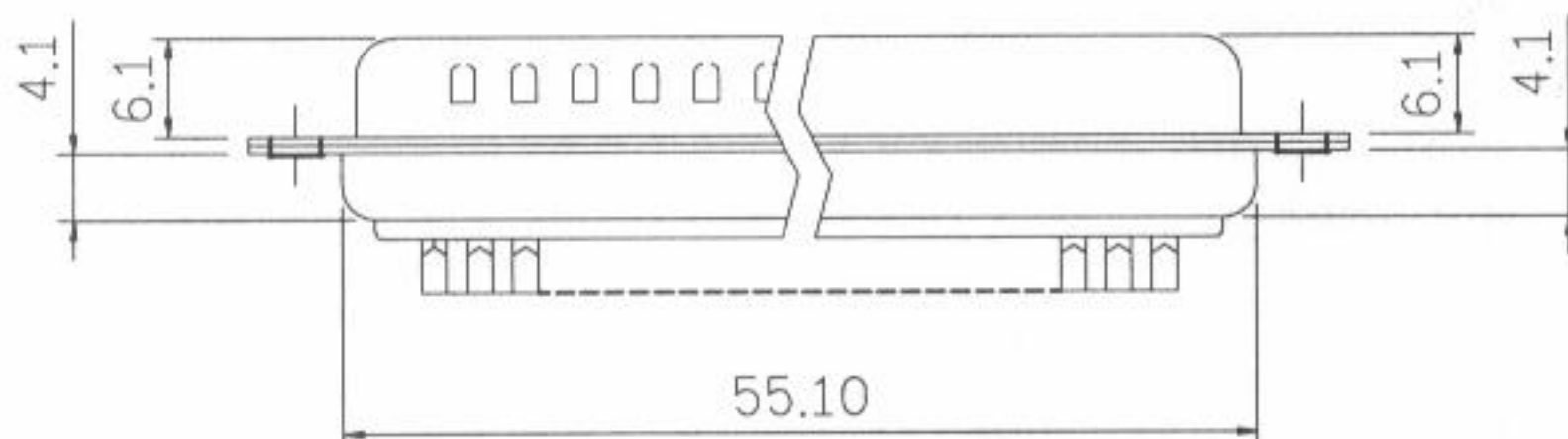
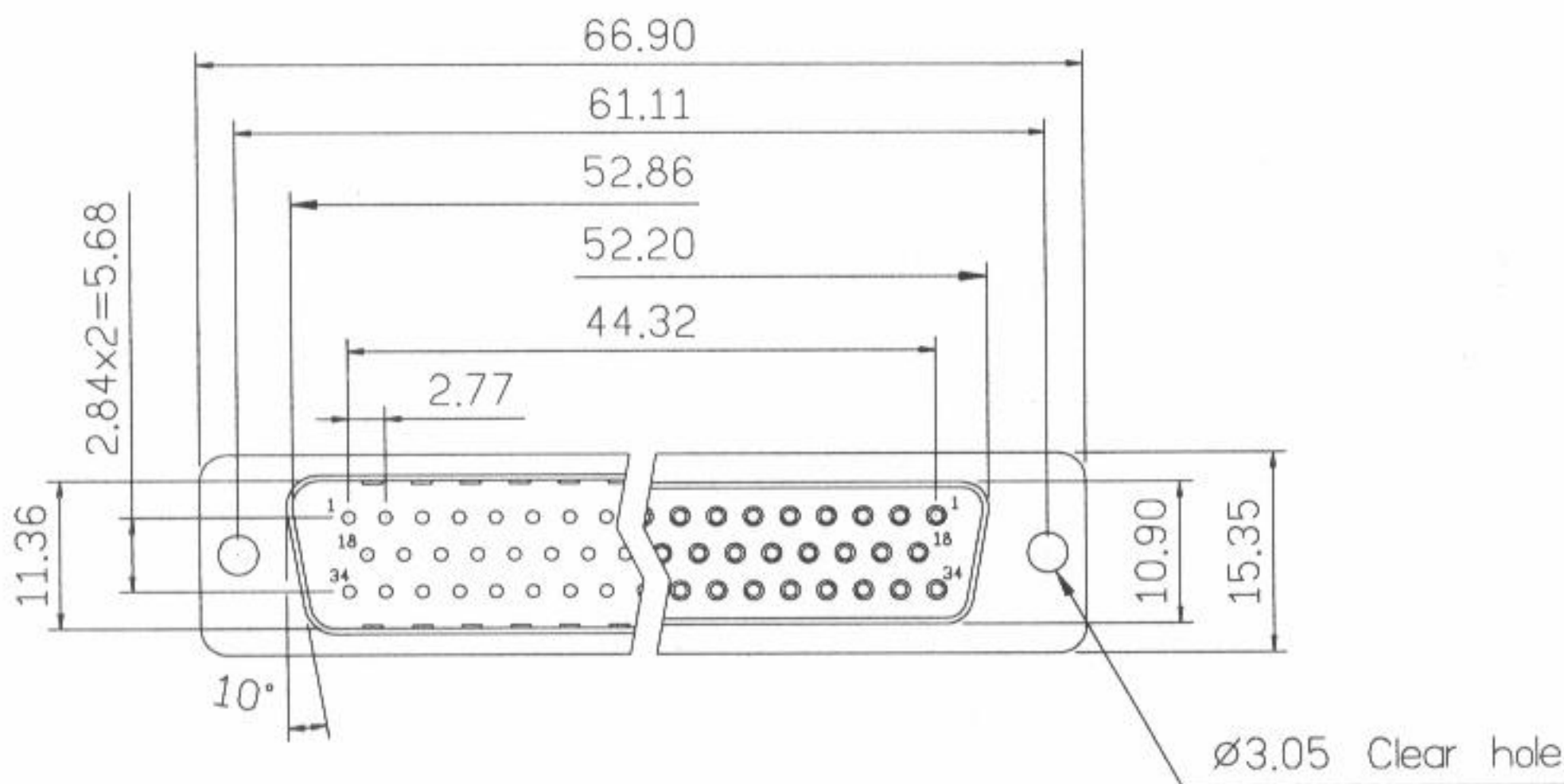
# 1001 SERIES

## D-SUB Solder Type



### Dimensions

Positions	A	B	C	D	E	F
9	30.81	24.99	16.92	16.33	11.08	19.20
15	39.14	33.32	25.50	24.66	19.39	27.70
25	53.04	47.04	38.96	38.38	33.24	41.10
37	69.32	63.50	55.42	54.84	49.86	57.30



### 50 Positions

# 1001 SERIES

## D-SUB Solder Type

### Product Specification

#### Material

**Insulator :** Glass-Filled Thermoplastic  
PBT,UL94V-0 rated

**Contact :** Brass or Phosphor Bronze

**Shell :** Steel, 100u" Tin Over 50u" min  
Nickel.

**Clinch Nut:** Brass, 100u" min Nickel  
Plated.

**Boardlock :** Brass, 100u" min Nickel  
Plated.

**Screwlock :** Brass, 100u" min Nickel  
Plated.

#### Electrical

**Contact Resistance :** 20 milliohms  
Max at 1 AMP DC.

**Insulation Resistance :** 1000  
megohms at 500 VDC

**Dielectric Withstanding Voltage :**  
1000 VAC/rms 60Hz for 1 minute

**Current Rating :** 5 AMP

**Volatge Rating :** 250 VAC/rms  
60Hz

### Ordering Information

**1001** —

**Series No.** \_\_\_\_\_

**No. Of Pins** \_\_\_\_\_  
 09: 09 positions  
 15: 15 positions  
 25: 25 positions  
 37: 37 positions  
 50: 50 positions

**Contact Type** \_\_\_\_\_  
 1: Male  
 2: Female

**Contact Plating** \_\_\_\_\_  
 0: Gold flash selective gold  
 1: 5u" selective gold on contact  
 2: 10u" selective gold on contact  
 3: 15u" selective gold on contact  
 4: 30u" selective gold on contact  
 5: 50u" selective gold on contact  
 6: Gold flash full gold

**Shell Plating** \_\_\_\_\_  
 1: Nickel  
 2: Tin (standard)  
 3: Chromated

**Insulator Color** \_\_\_\_\_  
 1: Blue  
 2: Black (standard)  
 3: White  
 4: Gray

**Position Of Clinch Nut** \_\_\_\_\_  
 0: ø3.05mm clear hole  
 1: Riveted front shell  
 2: Riveted rear shell  
 3: Riveted boardlock

**Flange Mounting Option** \_\_\_\_\_  
 0: ø3.05mm clear hole  
 1: #4-40 threaded hole  
 2: #4-40 threaded hole with #4-40 unc screwlock installed  
 3: #4-40 threaded hole with #4-40 unc screwlock bulk-packed  
 4: M3 threaded hole  
 5: M3 threaded hole with M3 screwlock installed  
 6: M2.6 threaded hole  
 7: M2.6 threaded hole with M2.6 screwlock installed  
 8: #4-40 unc\*0.5 Dip

**Pin Type** \_\_\_\_\_  
 1: Stamped pin  
 2: Machined pin

**Core** \_\_\_\_\_  
 0: Without core  
 1: With core