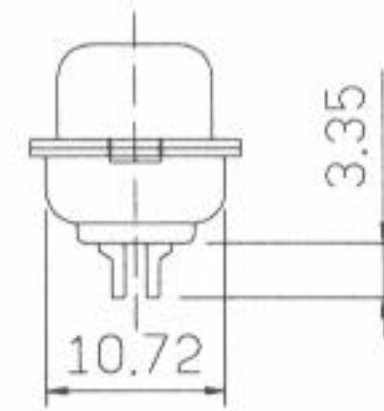
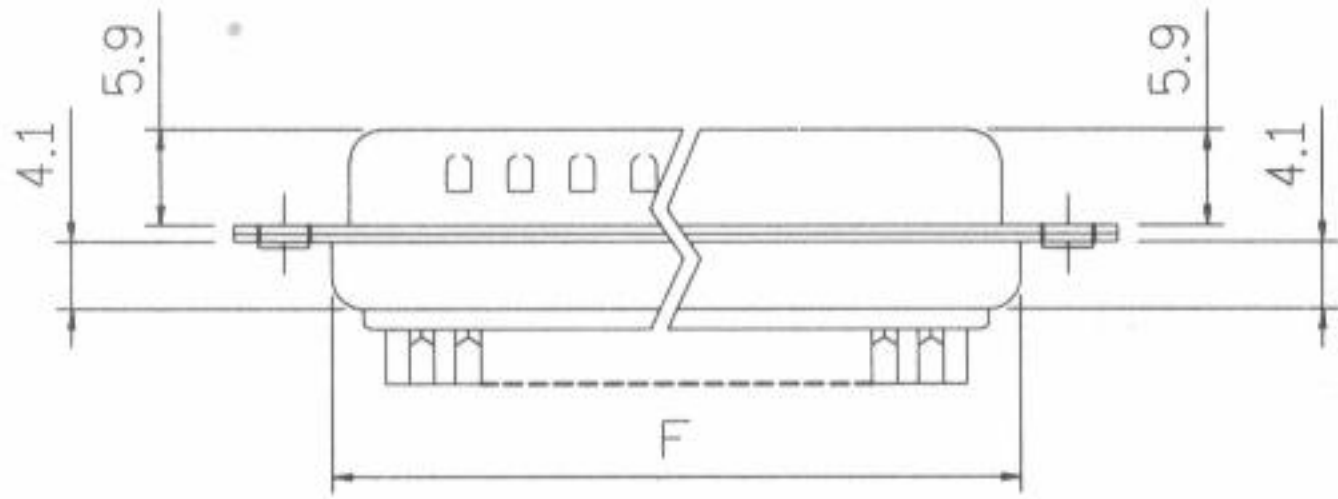
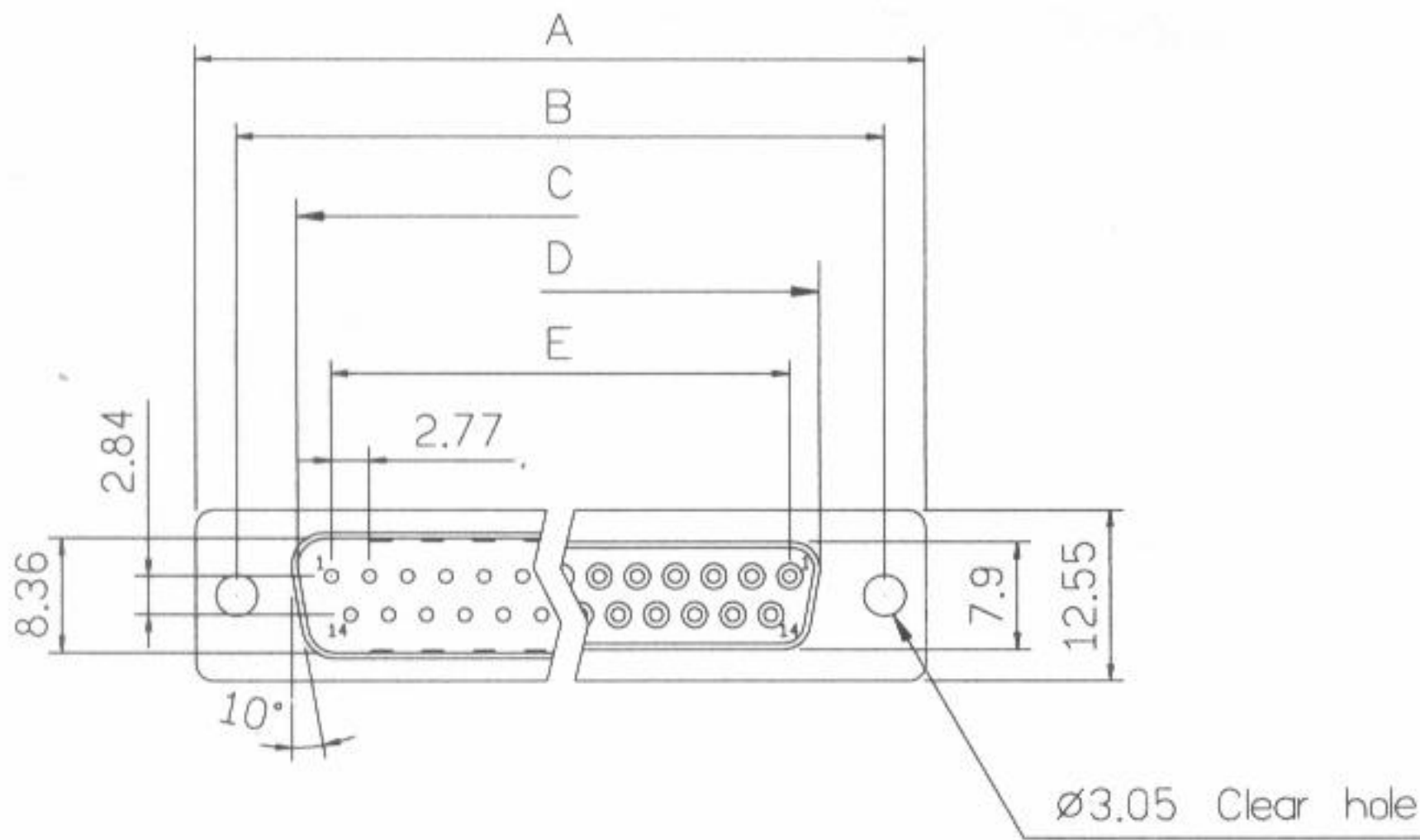
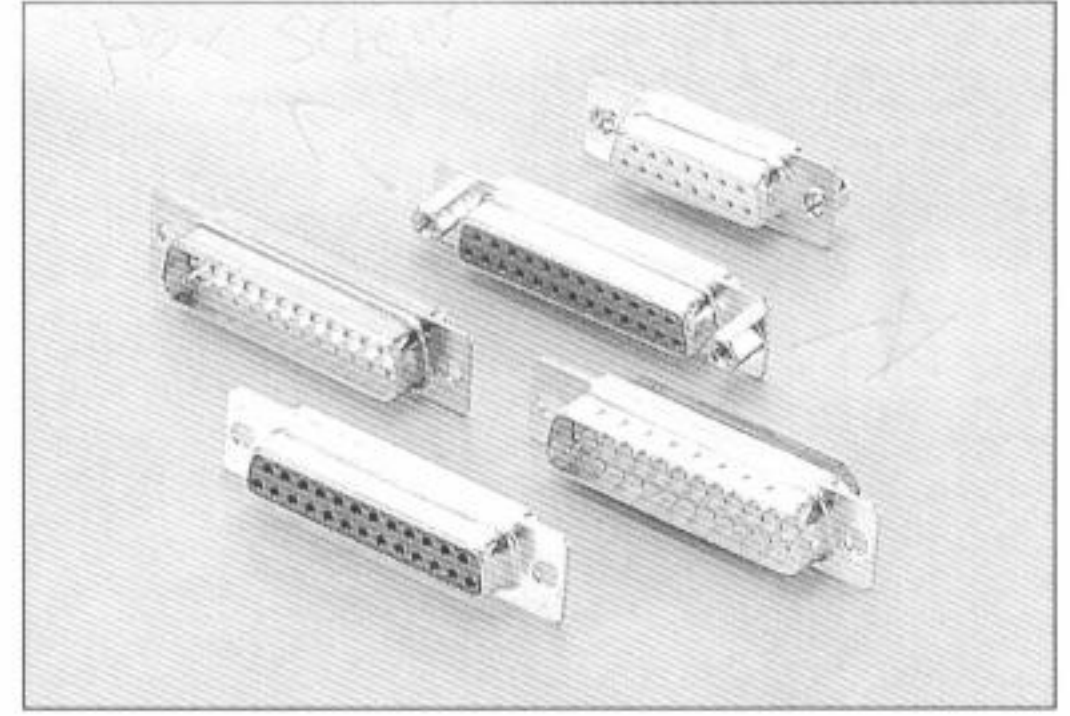


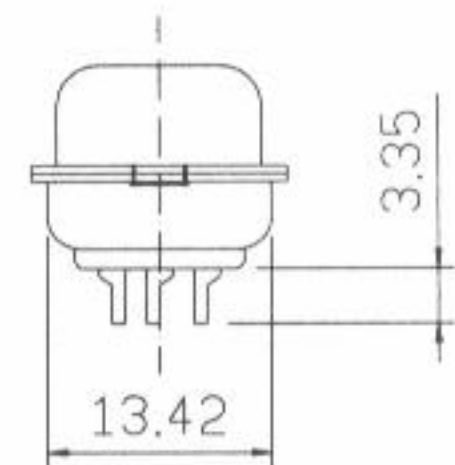
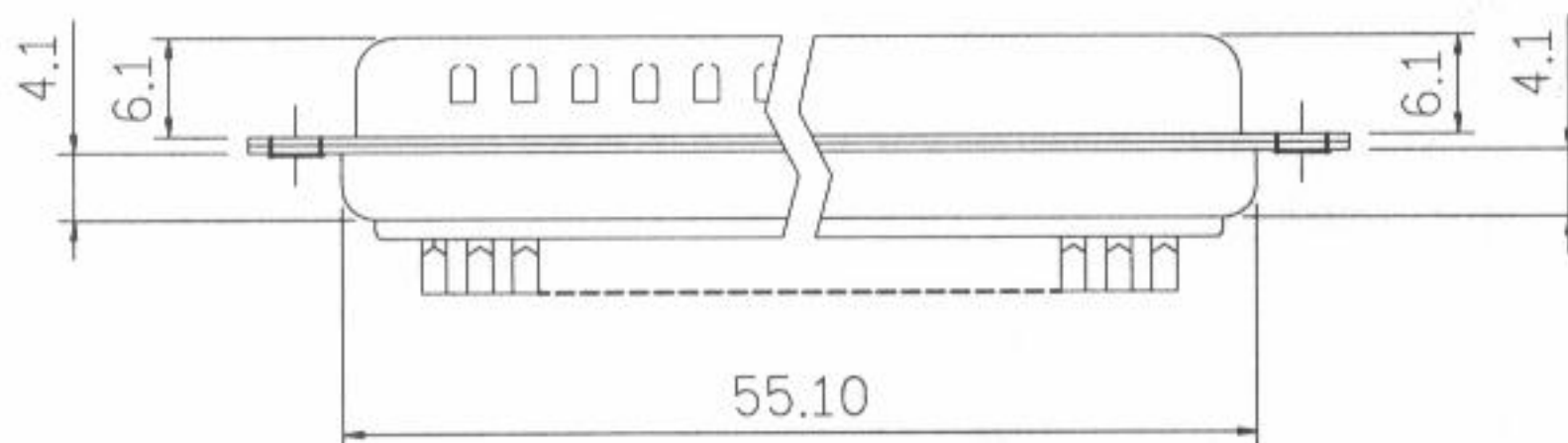
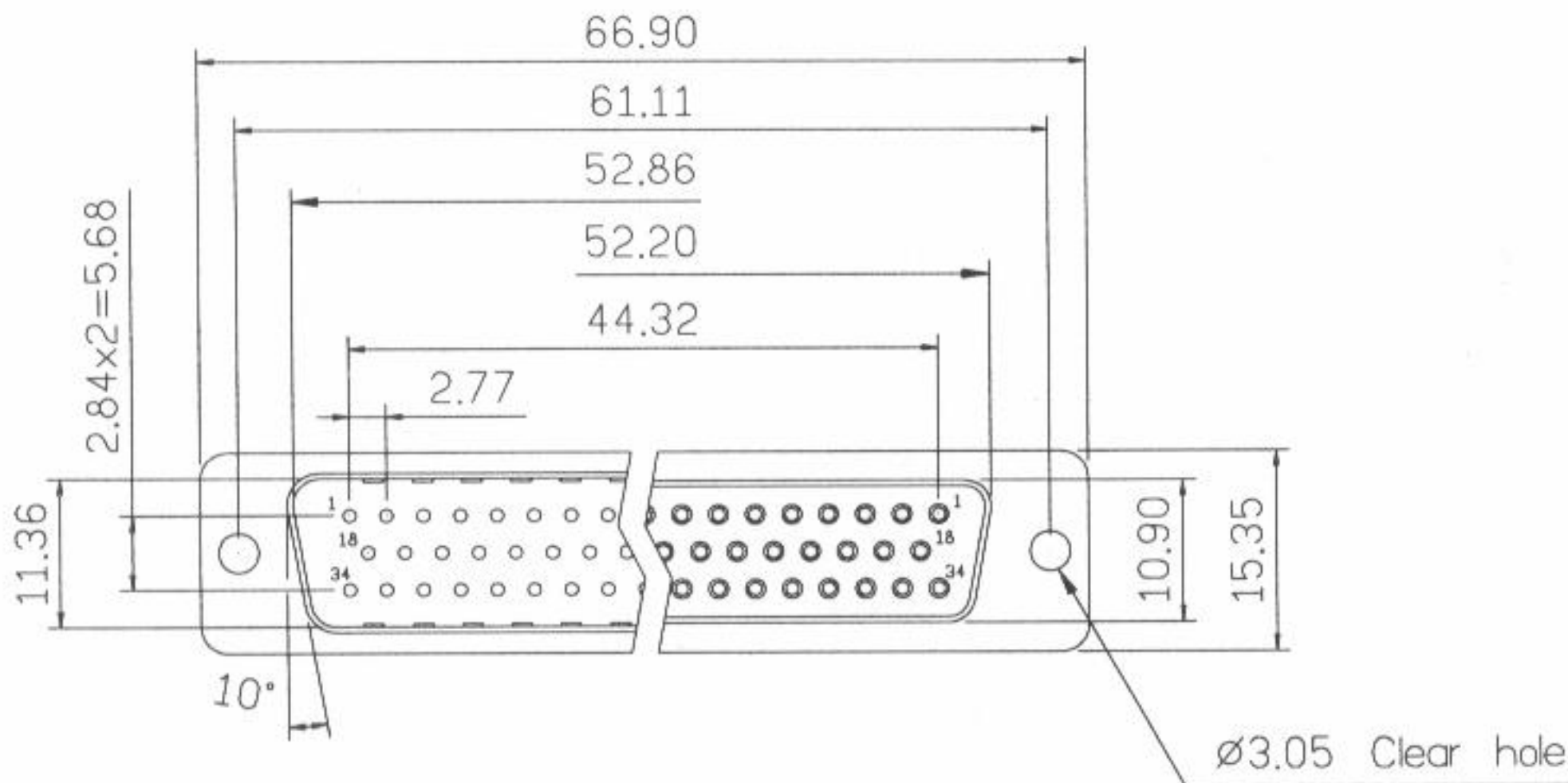
1001 SERIES

D-SUB Solder Type



Dimensions

Positions	A	B	C	D	E	F
9	30.81	24.99	16.92	16.33	11.08	19.20
15	39.14	33.32	25.50	24.66	19.39	27.70
25	53.04	47.04	38.96	38.38	33.24	41.10
37	69.32	63.50	55.42	54.84	49.86	57.30



50 Positions

1001 SERIES

D-SUB Solder Type

Product Specification

Material

Insulator : Glass-Filled Thermoplastic
PBT,UL94V-0 rated

Contact : Brass or Phosphor Bronze

Shell : Steel, 100u" Tin Over 50u" min
Nickel.

Clinch Nut: Brass, 100u" min Nickel
Plated.

Boardlock : Brass, 100u" min Nickel
Plated.

Screwlock : Brass, 100u" min Nickel
Plated.

Electrical

Contact Resistance : 20 milliohms
Max at 1 AMP DC.

Insulation Resistance : 1000
megohms at 500 VDC

Dielectric Withstanding Voltage :
1000 VAC/rms 60Hz for 1 minute

Current Rating : 5 AMP

Volatge Rating : 250 VAC/rms
60Hz

Ordering Information

1001 —

Series No. _____

No. Of Pins
09: 09 positions
15: 15 positions
25: 25 positions
37: 37 positions
50: 50 positions

Contact Type
1: Male
2: Female

Contact Plating
0: Gold flash selective gold
1: 5u" selective gold on contact
2: 10u" selective gold on contact
3: 15u" selective gold on contact
4: 30u" selective gold on contact
5: 50u" selective gold on contact
6: Gold flash full gold

Shell Plating
1: Nickel
2: Tin (standard)
3: Chromated

Insulator Color
1: Blue
2: Black (standard)
3: White
4: Gray

Position Of Clinch Nut
0: ø3.05mm clear hole
1: Riveted front shell
2: Riveted rear shell
3: Riveted boardlock

Flange Mounting Option
0: ø3.05mm clear hole
1: #4-40 threaded hole
2: #4-40 threaded hole with #4-40 unc screwlock installed
3: #4-40 threaded hole with #4-40 unc screwlock bulk-packed
4: M3 threaded hole
5: M3 threaded hole with M3 screwlock installed
6: M2.6 threaded hole
7: M2.6 threaded hole with M2.6 screwlock installed
8: #4-40 unc*0.5 Dip

Pin Type
1: Stamped pin
2: Machined pin

Core
0: Without core
1: With core