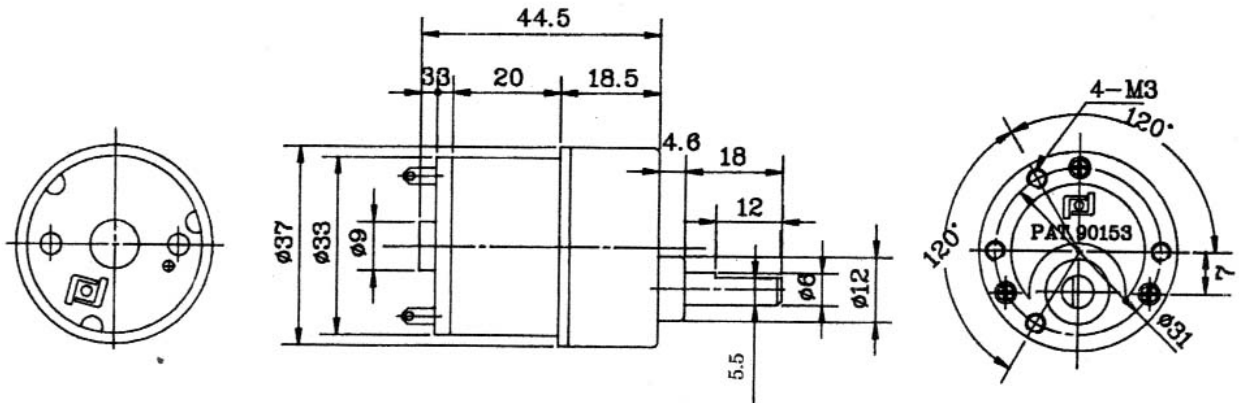


Date	Rev.	Description

SPECIFICATION SHEET

CUSTOMER NAME: GOLDSUN ELECTRONICS CO., LTD.
 TYPE: HN-GH35GMB TYPE
 MODEL: HN-GH12-1632T-R
 CUSTOMER PART NO.: 151442

I. OUTER DIMENSIONS :



MATERIAL		GOLDSUN ELECTRONICS CO., LTD.			
		JAMECO NO.	GOLDSUN NO.		
		151442	HN-GH12-1632T-R		
DRWN: Kiki Chen		Description			Rev.
VERIFY PEOPLE: Ada Zheng , Ivy Lan		MOTOR GEAR			1
		UNIT:	SCALE:	SHEET 1 OF 3	CAS No:
		mm			ERN No:

DCC. NO.
A4 DRAWING NO.

Date	Rev.	Description

SPECIFICATION SHEET

CUSTOMER NAME: GOLDSUN ELECTRONICS CO., LTD.
 TYPE: HN-GH35GMB TYPE
 MODEL: HN-GH12-1632T-R
 CUSTOMER PART NO.: 151442

II. SPECIFICATIONS :

1. TESTING CONDITIONS:
 ENVIRONMENT TEMPERATURE: 25 DEGREES CELSIUS.
 RELATED HUMIDITY: 60%.
 TESTING POSITION: THE GEARMOTOR LIES IN HORIZONTAL POSITION.
2. RATED VOLTAGE(POWER SUPPLY): DC12V.
 THE POWER SUPPLY MUST BE PURE DC(DIRECT CURRENT) AND CAN NOT CARRY ANY AC(ALTERNATING CURRENT).
3. GEAR RATIO: 100:1
4. RATED LOAD AT DC12V : 2.28Kg-cm.
 DON'T EXCEED RATED LOAD. OVERLOADING CAN CAUSE DAMAGE TO GEARMOTOR.
5. NO LOAD SPEED AT DC12V: 65RPM+/-10%.
6. SPEED AT DC12V & RATED LOAD(2.28Kg-cm): 54RPM+/-10%.
7. NO LOAD CURRENT AT DC12V: LOWER THAN 66mA.
8. CURRENT AT DC12V & RATED LOAD(2.28Kg-cm): LOWER THAN 246mA.
9. SHAFT END PLAY: MAXIMUM 0.8m/m.
10. INSULATION RESISTANCE: 10M ohm AT DC300V.
11. WITHSTAND VOLTAGE: DC300V FOR ONE SECOND.
12. THE GEARMOTOR IS NOT INTENDED FOR INSTANT REVERSE. BE SURE THE GEARMOTOR IS STOPPED BEFORE REVERSING.
13. THE GEARMOTOR DOESN'T HAVE ANY PROTECTIVE MEASURES LIKE WATER-PROOF, DUST- PROOF, ETC..... PLEASE USE IT IN THE NORMAL ENVIRONMENT AND TEMPERATURE.
14. IF YOU HAVE ANY QUESTIONS ABOUT THE SPECIFICATIONS AND DIMENSIONS, KINDLY PLEASE FEEL FREE TO CONTACT US.

DCC. NO.	MATERIAL	GOLDSUN ELECTRONICS CO., LTD.		
	DRWN: Kiki Chen	JAMECO NO. 151442	GOLDSUN NO. HN-GH12-1632T-R	
A4 DRAWING NO.	VERIFY PEOPLE: Ada Zheng , Ivy Lan	Description MOTOR GEAR		Rev. 2
		UNIT: mm	SCALE:	SHEET 2 OF 3
		CAS No:		ERN No:

Date	Rev.	Description

SPECIFICATION SHEET

CUSTOMER NAME: GOLDSUN ELECTRONICS CO., LTD.
 TYPE: HN-GH35GMB TYPE
 MODEL: HN-GH12-1632T-R
 CUSTOMER PART NO.: 151442

III. GUARANTEE :

A period of six months from the shipping date shall be provided by us as the guarantee.
 But our company shall not be liable for any failures which is resulted upon reaching
 300 hours of services life or due to improper application, maintenance, installation,
 man-made negligence and natural disaster.

All our products are made according to the specifications we offered you. Should a problem
 occur, then the specifications shall be based and no objections shall be held by you. In case
 if the delivered DC gearmotors are in contradictory with the specifications within the guarantee
 period, in absence of proviso stated in the aforesaid provision, then our company will accept
 repair or replacement in our factory and or refund. However, our company shall not be liable
 for any additional responsibilities.

DCC. NO.	MATERIAL	GOLDSUN ELECTRONICS CO., LTD.			
A4 DRAWING NO.	DRWN: Kiki Chen	JAMECO NO. 151442	GOLDSUN NO. HN-GH12-1632T-R		
	VERIFY PEOPLE: Ada Zheng , Ivy Lan	Description MOTOR GEAR		Rev.	3
		UNIT: mm	SCALE:	SHEET 3 OF 3	CAS No: ERN No: