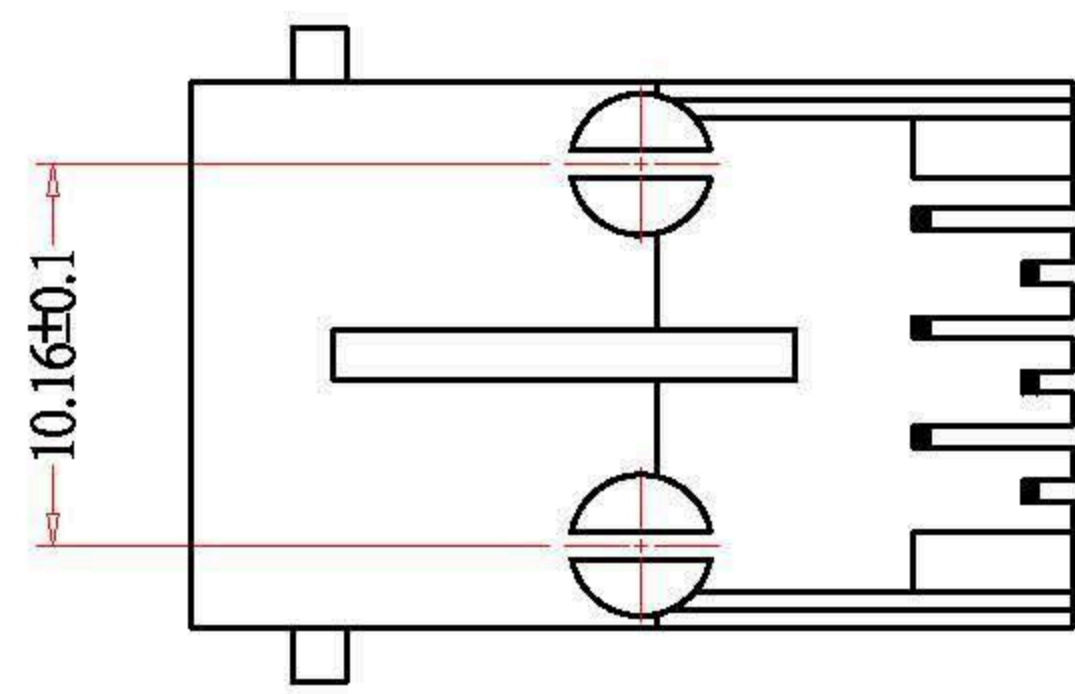
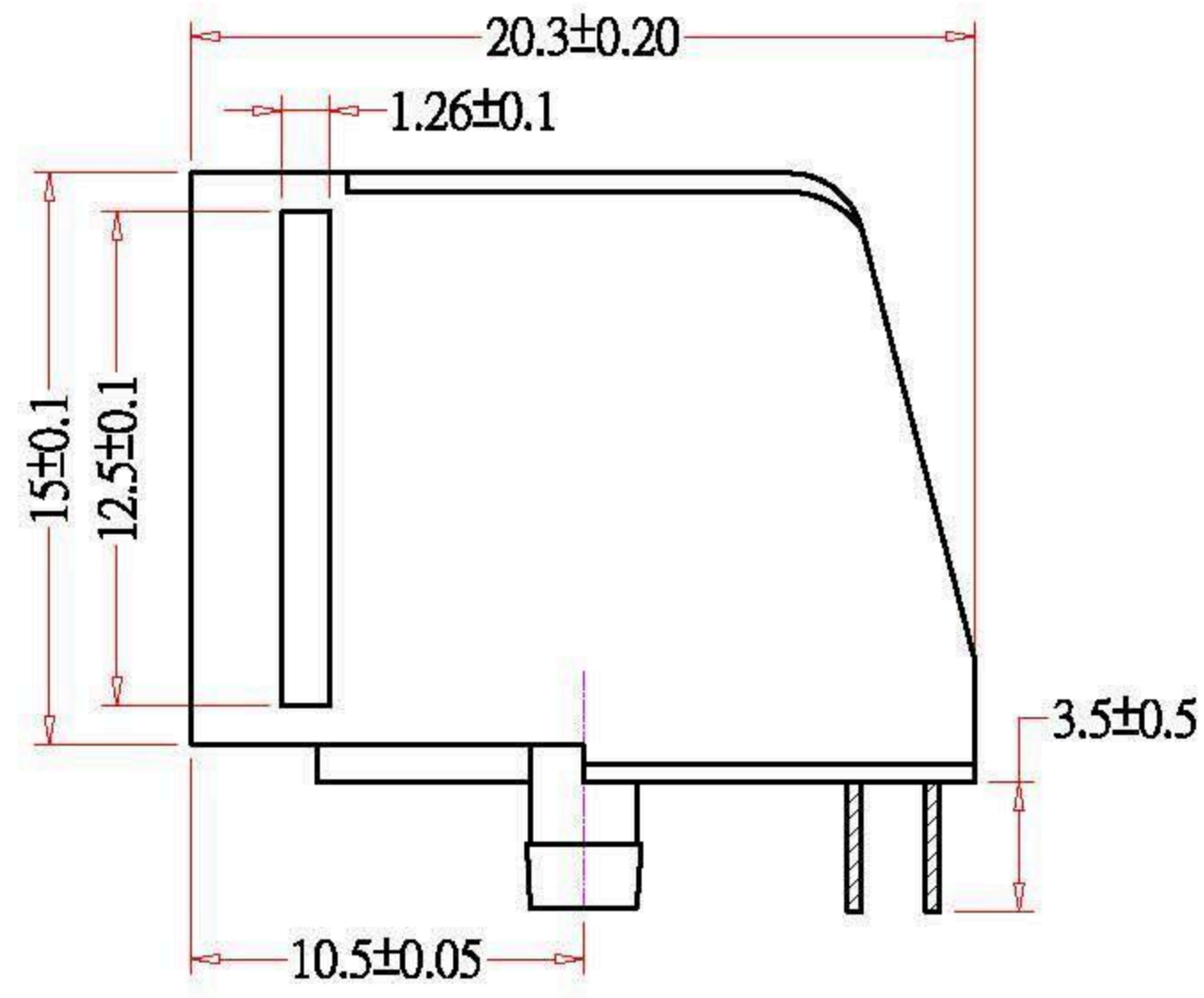
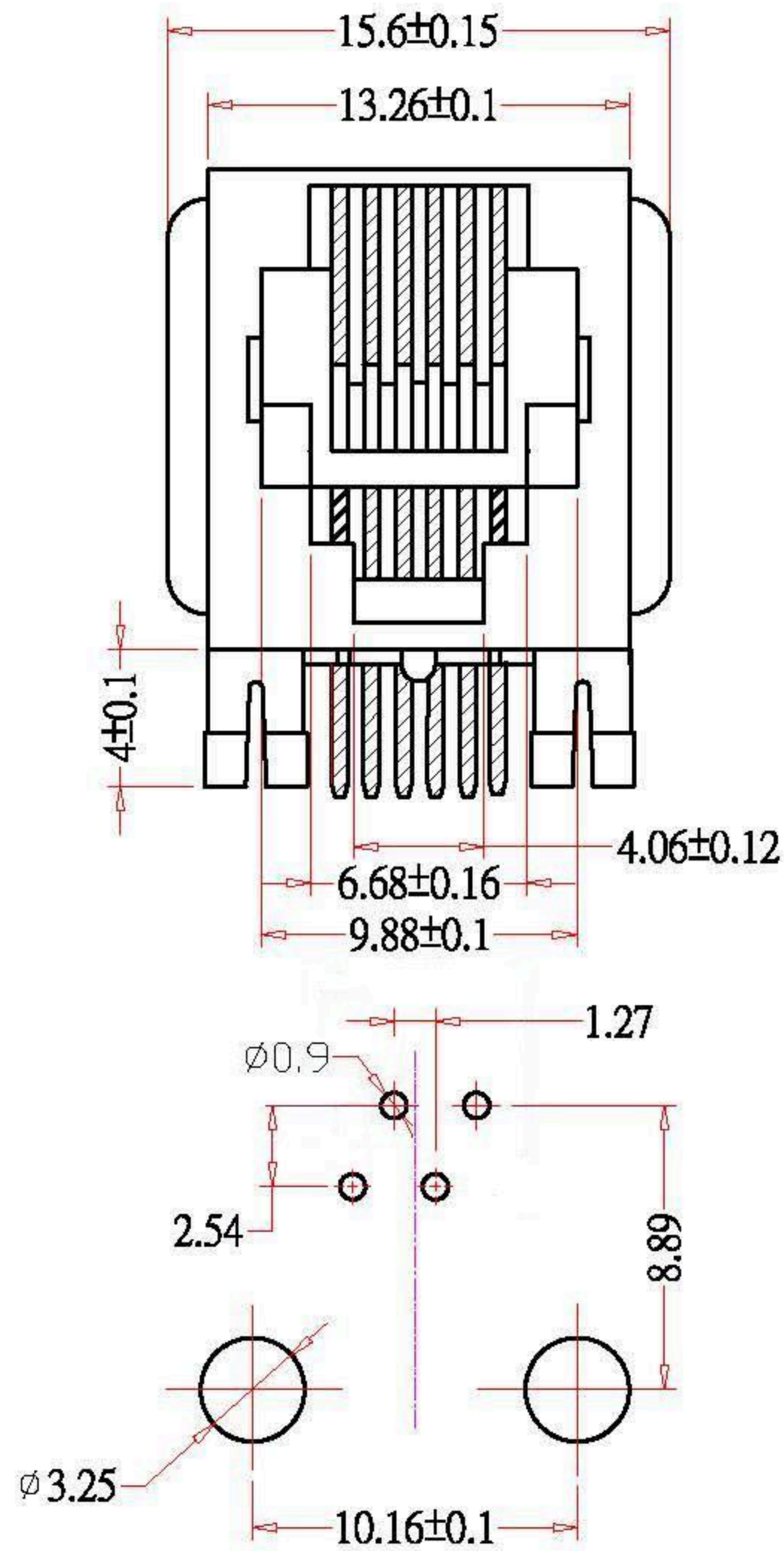


Date	Rev.	Description



DCC. NO.	
A4 DRAWING NO.	

MATERIAL		GOLDSUN ELECTRONICS CO., LTD.	
DRAWN: Kiki Chen		JAMECO NO. 151766	GOLDSUN NO. SY 005-6P4C-R
VERIFY PEOPLE: Wendy Chen, Fanny Du		Description MODULAR JACKS	
UNIT: mm	SCALE:	SHEET 1 OF 1	Rev. 1
		CAS No:	ERN No: