

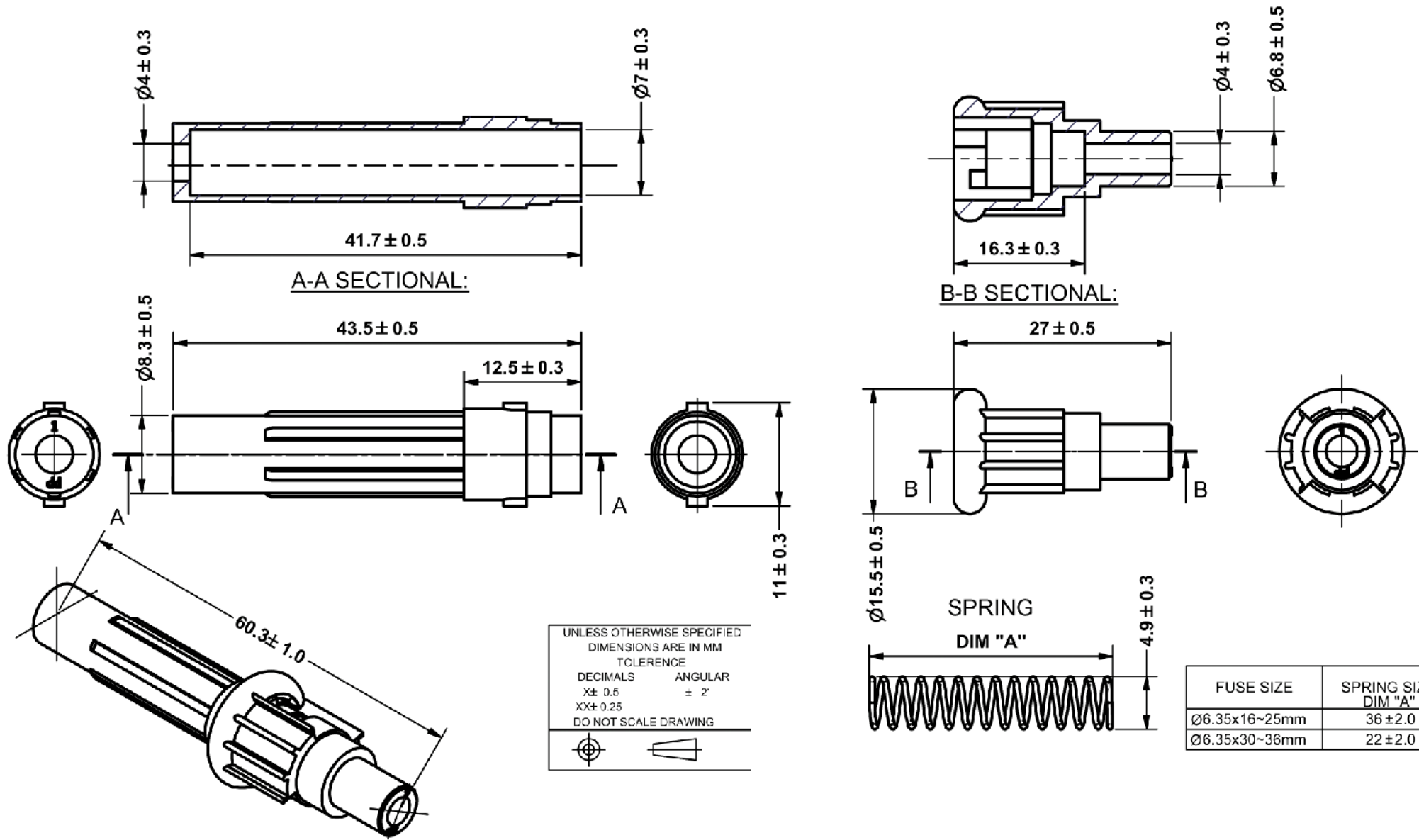
Distributed by:

**JAMECO**<sup>®</sup>  
ELECTRONICS

**www.Jameco.com ♦ 1-800-831-4242**

The content and copyrights of the attached  
material are the property of its owner.

Jameco Part Number 151918



UNLESS OTHERWISE SPECIFIED  
DIMENSIONS ARE IN MM  
TOLERANCE  
DECIMALS ANGULAR  
X ± 0.5 ± 2'  
XX ± 0.25  
DO NOT SCALE DRAWING

**IN-LINE FUSEHOLDER BAYONET TYPE**  
Specifications:  
Applicable: For 3AG Fuse Type AGC, SFE, JSO and MFA  
Insulating Body: PP / PA66 (White / Black)  
Contacts: Brass

DCC. NO.  
A4 DRAWING NO.

|                                   |        |                                      |                     |
|-----------------------------------|--------|--------------------------------------|---------------------|
| MATERIAL                          |        | <b>GOLDSUN ELECTRONICS CO., LTD.</b> |                     |
| DRAWN: Kiki Chen                  |        | JAMECO NO. <b>151918</b>             | GOLDSUN NO. JEF-702 |
| VERIFY PEOPLE: Ada Zheng, Ivy Lan |        | Description FUSE HOLDER              |                     |
| UNIT: mm                          | SCALE: | SHEET 1 OF 1                         | Rev. 1              |
|                                   |        | CAS No:                              | ERN No:             |