

Distributed by:

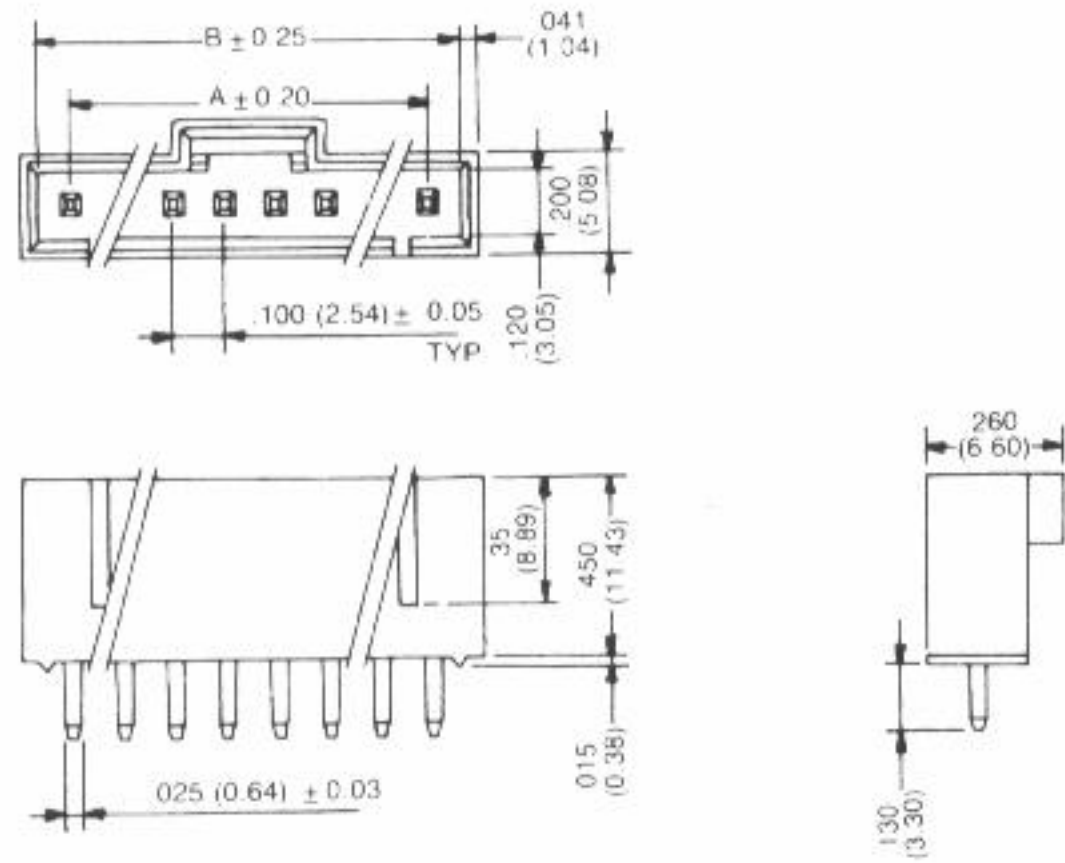
JAMECO[®]
ELECTRONICS

www.Jameco.com ♦ 1-800-831-4242

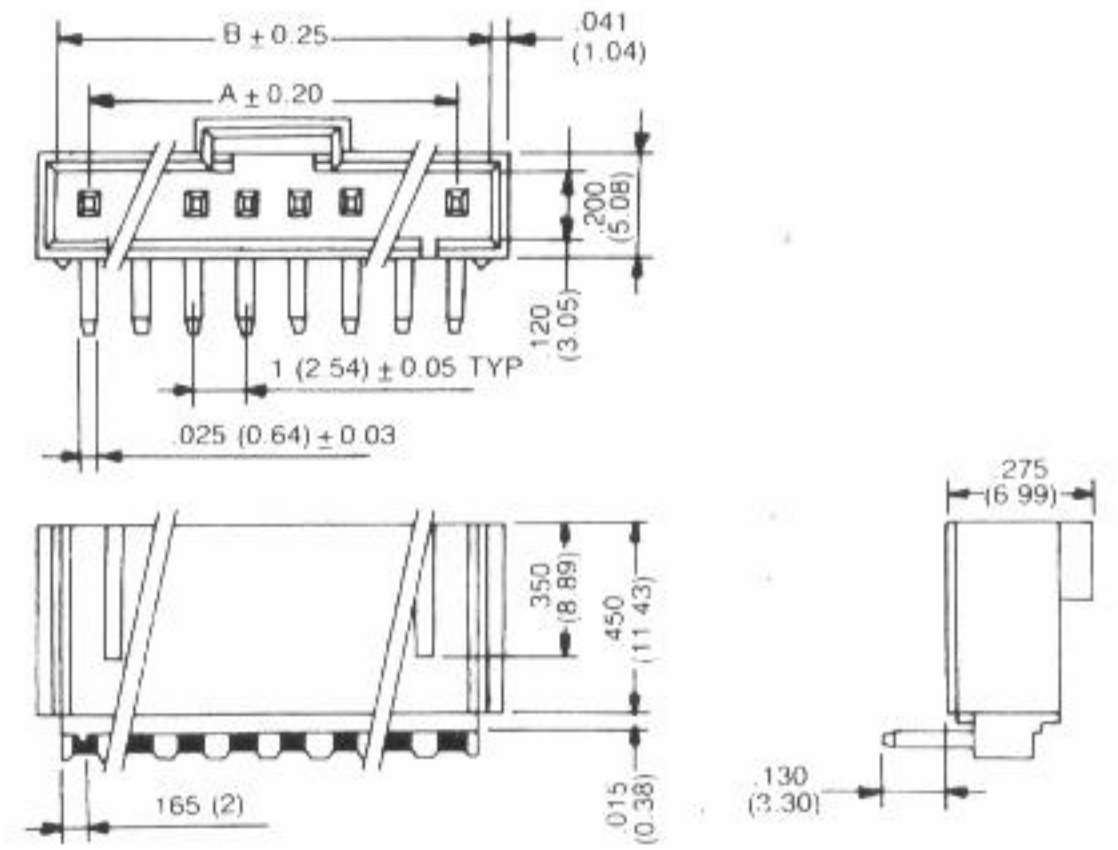
The content and copyrights of the attached
material are the property of its owner.

Jameco Part Number 152726

WAFER 180° TMT-25403S



WAFER 90° TMT-25403R



Poles	Part No.		Dimension in.(mm)		Material
	Top entry type	Side entry type	A	B	
2	TMT-25403S-02	TMT-25403R-02	.100(2.54)	.220(5.59)	PBT UL94V-0
3	TMT-25403S-03	TMT-25403R-03	.200(5.08)	.320(8.13)	
4	TMT-25403S-04	TMT-25403R-04	.300(7.60)	.420(10.67)	
5	TMT-25403S-05	TMT-25403R-05	.400(10.16)	.520(13.21)	
6	TMT-25403S-06	TMT-25403R-06	.500(12.70)	.620(15.75)	
7	TMT-25403S-07	TMT-25403R-07	.600(15.24)	.720(18.29)	

Poles	Part No.		Dimension in.(mm)		Material
	Top entry type	Side entry type	A	B	
8	TMT-25403S-08	TMT-25403R-08	.700(17.78)	.799(20.29)	PBT UL94V-0
9	TMT-25403S-09	TMT-25403R-09	.800(20.32)	.899(22.83)	
10	TMT-25403S-10	TMT-25403R-10	.900(22.86)	.999(25.37)	
11	TMT-25403S-11	TMT-25403R-11	1.000(25.40)	1.099(27.91)	
12	TMT-25403S-12	TMT-25403R-12	1.100(27.94)	1.199(30.45)	