

Distributed by:



www.Jameco.com ♦ 1-800-831-4242

The content and copyrights of the attached material are the property of its owner.



LT03XX-41

3.0MM ROUND LAMP

Features

- * LOW CURRENT REQUIREMENTS
- * HIGH LIGHT OUTPUT
- * RELIABLE AND RUGGED
- * IC COMPATIBLE

Jameco Part Number
152784

Absolute Maximum Ratings at $T_A=25^\circ\text{C}$

REVERSE VOLTAGE ($100 \mu\text{A}$)	GaAsP RED 3.0 V , OTHER 5.0V
D.C. FORWARD CURRENT	30 mA
PULSE CURRENT (1/10 DUTY CYCLE, 0.1 ms PULSE WIDTH)	100 mA
OPERATING TEMPERATURE RANGE	-25°C TO +85°C
STORAGE TEMPERATURE RANGE	-25°C TO +100°C
LEAD SOLDERING TEMP. (1.6mm FROM BODY)	260°C FOR 5 SEC.

Electrical/optical characteristics at $T_A=25^\circ\text{C}$

PART NUMBER		LED CHIP		LEN'S COLOR		PEAK WAVELENGTH @20 mA (nm)	FORWARD VOLTAGE @20mA(V)		LUMINOUS INTENSITY @20mA(mcd)		VIEW ANGLE $2\theta_{1/2}$ (deg)
		MATERIAL	EMITTING COLOR				TYP.	MAX.	MIN.	TYP.	
LT0311-41	LT0312-41	GaAsP	RED	R.D.	W.D.	655	1.7	2.0	1.1	1.8	56
LT0311G-41	LT0312G-41	GaP	RED	R.D.	W.D.	700	2.1	3.0	1.6	2.7	56
LT0321-41	LT0322-41	Gap	GREEN	G.D.	W.D.	567	2.1	2.6	8.0	13.3	56
LT0331-41	LT0332-41	GaAsP ON GaP	YELLOW	Y.D.	W.D.	585	2.1	3.0	6.6	11.0	56
LT0341-41	LT0342-41	GaAsP ON GaP	ORANGE	O.D.	W.D.	635	2.1	3.0	9.3	15.5	56
LT0341R-41		GaAsP ON GaP	ORANGE	R.D.		635	2.1	3.0	9.3	15.5	56
LT0313-41	LT0314-41	GaAsP	RED	W.C.	R.C.	655	1.7	2.0	3.7	6.1	36
LT0313G-41	LT0314G-41	GaP	RED	W.C.	R.C.	700	2.1	3.0	5.5	9.2	36
LT0323-41	LT0324-41	Gap	GREEN	W.C.	G.C.	567	2.1	2.6	27.0	45.0	36
LT0333-41	LT0334-41	GaAsP ON GaP	YELLOW	W.C.	Y.C.	585	2.1	3.0	22.6	37.6	36
LT0343-41	LT0344-41	GaAsP ON GaP	ORANGE	W.C.	O.C.	635	2.1	3.0	31.7	52.9	36
	LT0344R-41	GaAsP ON GaP	ORANGE		R.C.	635	2.1	3.0	31.7	52.9	36

(1) LEN'S COLOR

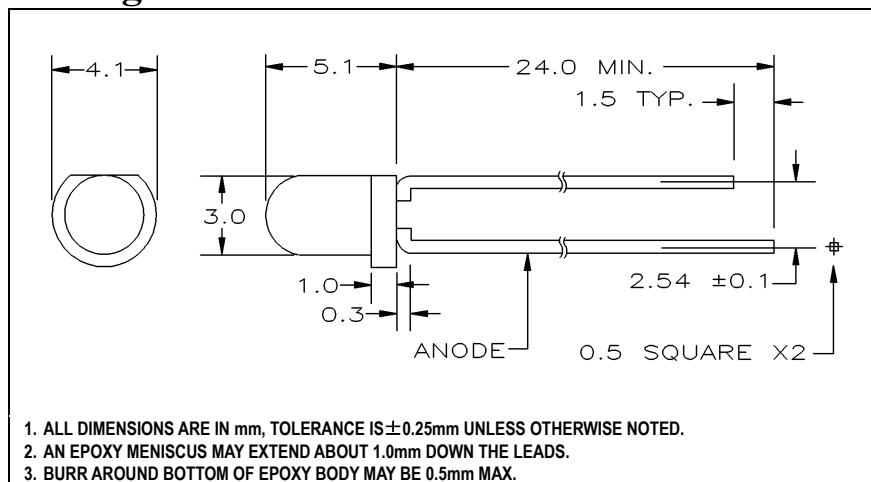
R.D...RED DIFFUSED
Y.D...YELLOW DIFFUSED
W.D...WHITE DIFFUSED
G.D...GREEN DIFFUSED
O.D...ORANGE DIFFUSED

W.C...WATER CLEAR
R.C...RED CLEAR
Y.C...YELLOW CLEAR
G.C...GREEN CLEAR
O.C...ORANGE CLEAR

(2) SPECIFICATIONS ARE SUBJECT TO CHANGE WITHOUT NOTICE.

(3) ALL ABOVE COMPONENTS ARE CONSIDERED . DEVIATIONS FROM STATED SPECIFICATIONS WILL REQUIRE A NEW PART NUMBER BE ASSIGNED .

Package Dimensions



Radiation Pattern

