

Distributed by:

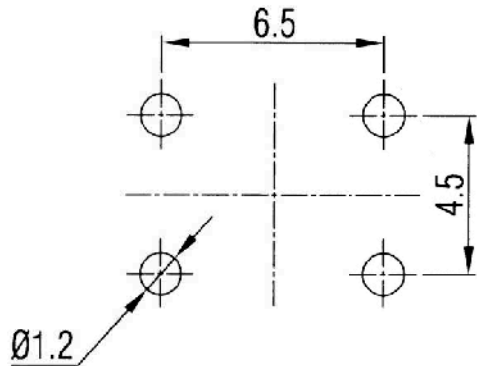
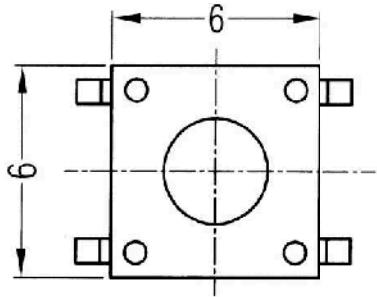
**JAMECO**<sup>®</sup>  
ELECTRONICS

**www.Jameco.com ♦ 1-800-831-4242**

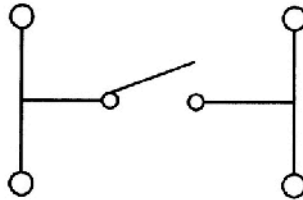
The content and copyrights of the attached  
material are the property of its owner.

Jameco Part Number 153252

Date	Rev.	Description

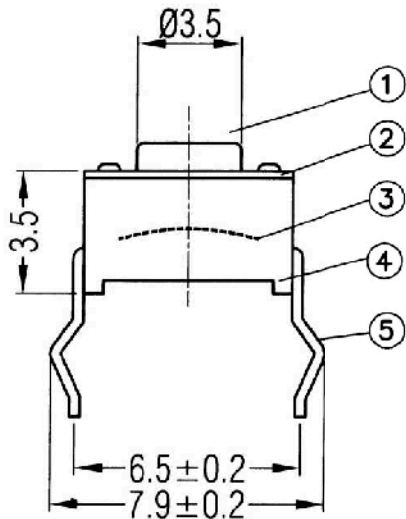
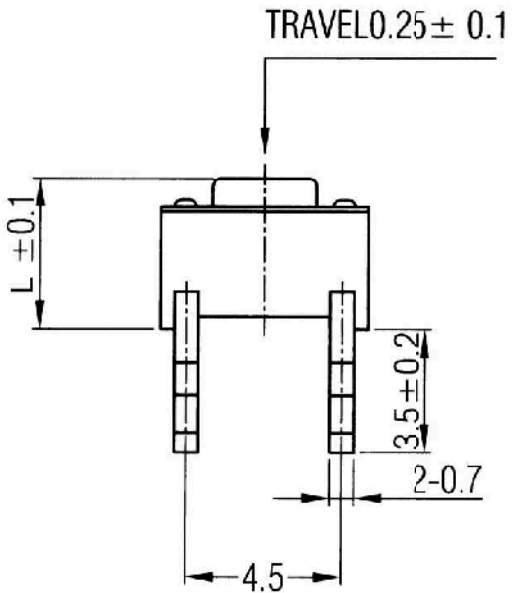


P.C.B LAYOUT DIMENSION  
TOP VIEW



CIRCUIT

Model No.	L
PT6601	4.3
PT6601A	5.0
PT6601B	7.0
PT6601C	8.0
PT6601D	9.5
PT6601E	7.3
PT6601F	12.5
PT6601G	13.5
*PT6601I	17.0
*PT6601Z	13.0



1.	RATING: DC 12V 50mA Max.	
2.	CONTACT RESISTANCE: 50 mΩ MAX.	
3.	LIFE: 100,000 CYCLES MIN.	
4.	TRAVEL: 0.25mm ±0.1	
5.	CODE	2
	OPERATING FORCE	160g <sup>±50</sup>
		3
		250g <sup>±50</sup>

DCC. NO.
A4 DRAWING NO.

MATERIAL	<b>GOLDSUN ELECTRONICS CO., LTD.</b>			
JAMECO NO.	<b>153252</b>	GOLDSUN NO.	G_S(PT-6601)-R	
DRAWN: Kiki Chen	Description	TACTILE SWITCHES	Rev.	1
VERIFY PEOPLE: Wendy Chen, Fanny Du	UNIT: mm	SCALE:	SHEET 1 OF 1	CAS No: ERN No: