

Distributed by:

JAMECO[®]
ELECTRONICS

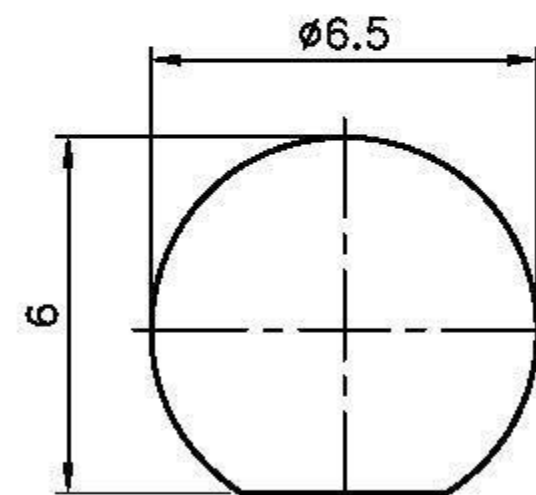
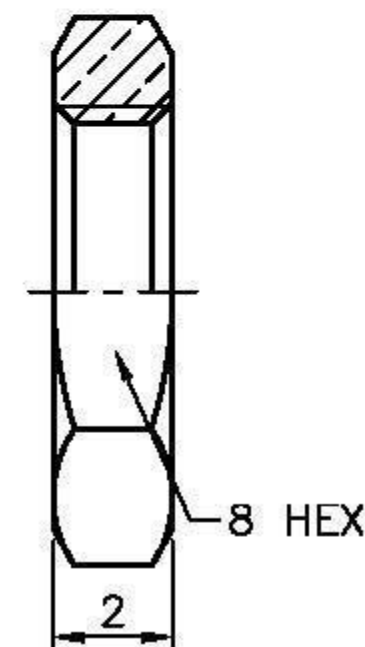
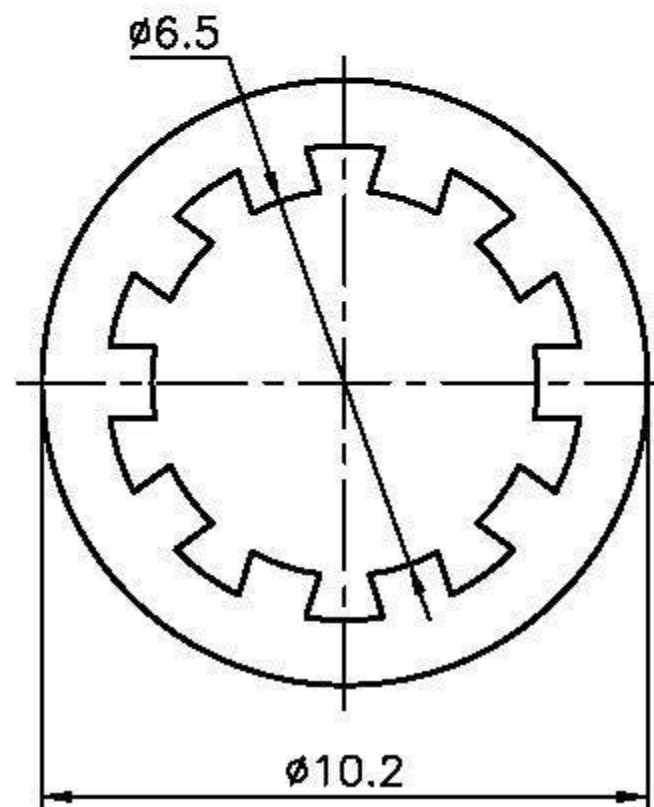
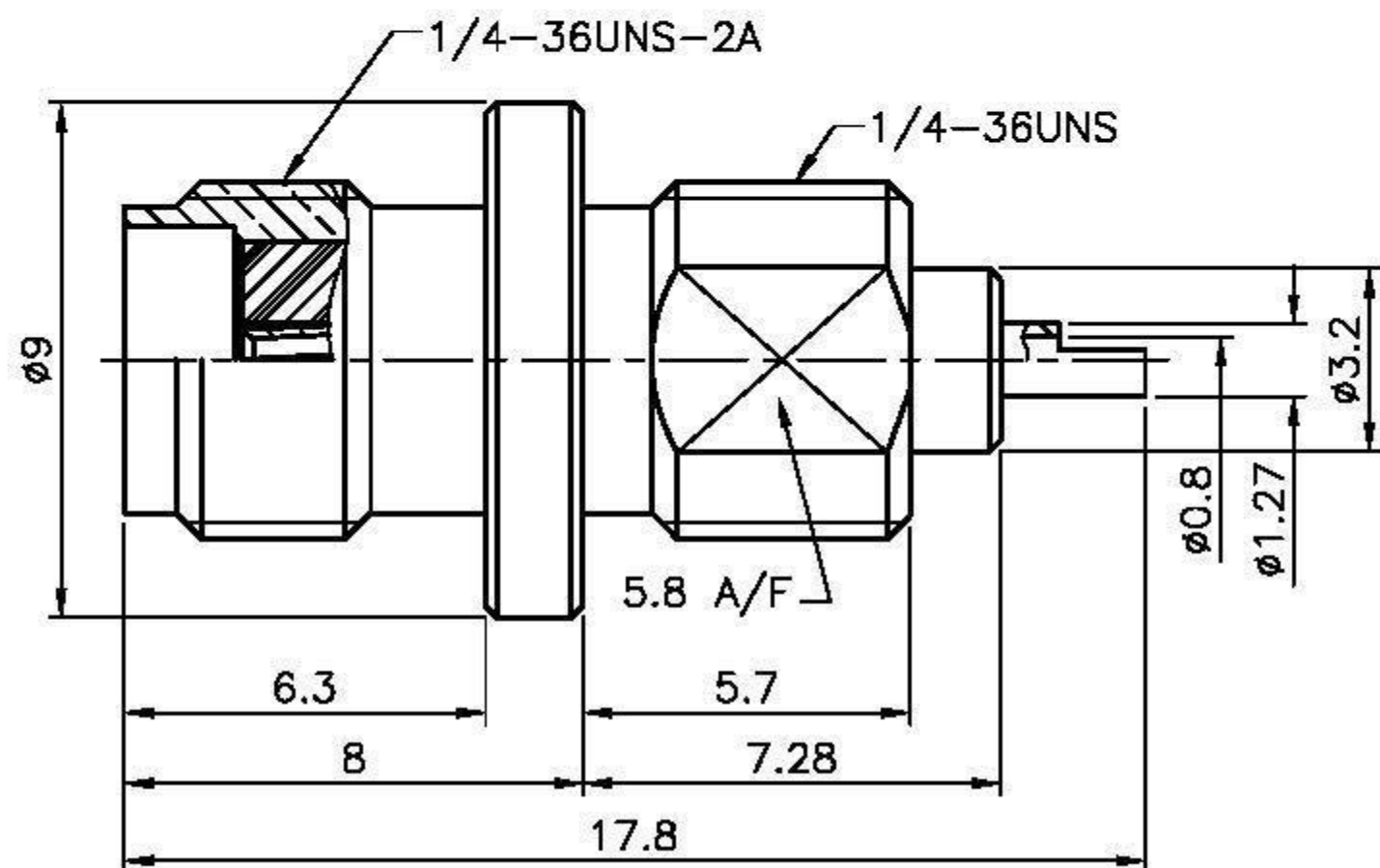
www.Jameco.com ♦ 1-800-831-4242

The content and copyrights of the attached
material are the property of its owner.

Jameco Part Number 153286

PN#153286

REMARK: RoHS COMPLIANT



RECOMMENDED MOUNTING HOLE
(建議架設孔)

NOTES: FINISH (PLATING THICKNESS IN MICRO-INCHES)

1. BRASS PER QQ-B-626
2. GOLD PL FLUSH OVER NICKEL PL 70 MIN THICK OVER COPPER STRIKE
3. GOLD PL 3 MIN OVER NICKEL PL 70 MIN THICK OVER COPPER STRIKE
4. GOLD PL 30 MIN OVER NICKEL PL 70 MIN THICK OVER COPPER STRIKE
5. TEFLON MIL-P-19468
6. PHOSPHOR BRONZE PER QQ-B-750

1. MAX. PANEL THICKNESS=2.4mm

					DIMENSIONS ARE IN MILLIMETERS				PART NO.			
					UNLESS OTHERWISE SPECIFIED TOLERANCES (一般公差) 0.5~6 = ±0.2 >6~30 = ±0.4 >30~120 = ±0.6 >120~315 = ±1 >315~1000 = ±1.6 ANGLES(角度) = ±5°				APPROVED		DATE	
NUT	NOTE 1	NOTE 2									04/27/07'	
WASHER	SS41	NOTE 2							CHECKED		DATE	
CONTACT PIN	NOTE 6	NOTE 4									04/27/07'	
INSULATOR	NOTE 5	WHITE							DRAWN		DATE	
BODY	NOTE 1	NOTE 3					04/27/07'					
NO.	DESCRIPTION	MATERIAL	FINISH	Q'TY	DRAWING NO.	SCALE	5/1	ISSUE	A1			