

Distributed by:

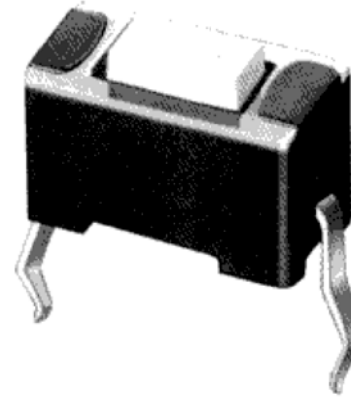
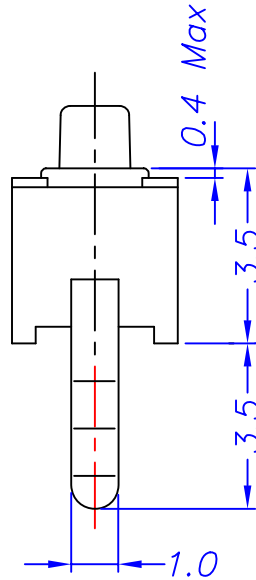
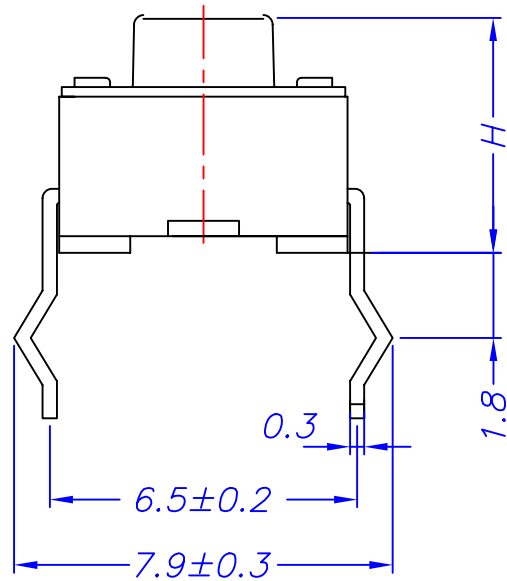
**JAMECO**<sup>®</sup>  
ELECTRONICS

**www.Jameco.com ♦ 1-800-831-4242**

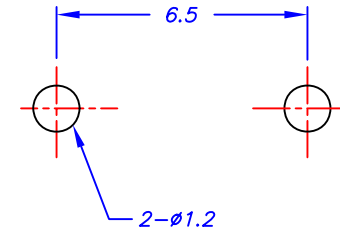
The content and copyrights of the attached  
material are the property of its owner.

Jameco Part Number 155249

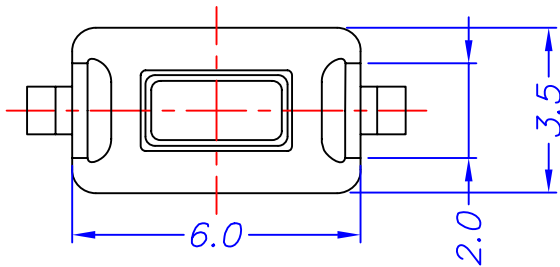
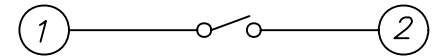
Date	Rev.	Description



P.C.B Layout



Circuit Diagram



TYPE	1	2
OPERATING FORCE	180±30gf	250±30gf
MODEL.NO.	1101	1101A 1101C
DIM. (L)	4.3	5.0 8.0

- SPECIFICATIONS:**
1. Rating :DC 12V 50mA
  2. Travel :0.25±0.1mm
  3. Contact Resistance :100mΩ Max
  4. Life:50,000 Cycles Min.
  5. General Tolerance:±0.2mm.

DCC. NO.
A4 DRAWING NO.

MATERIAL		<b>GOLDSUN ELECTRONICS CO., LTD.</b>	
DRAWN: Kiki Chen		JAMECO NO. <b>155249</b>	GOLDSUN NO. KRS-3550-BK-R
VERIFY PEOPLE: Wendy Chen, Fanny Du		Description PUSH BUTTON SWITCH 2P SPST	
UNIT: mm	SCALE:	SHEET 1 OF 1	CAS No: ERN No: 1