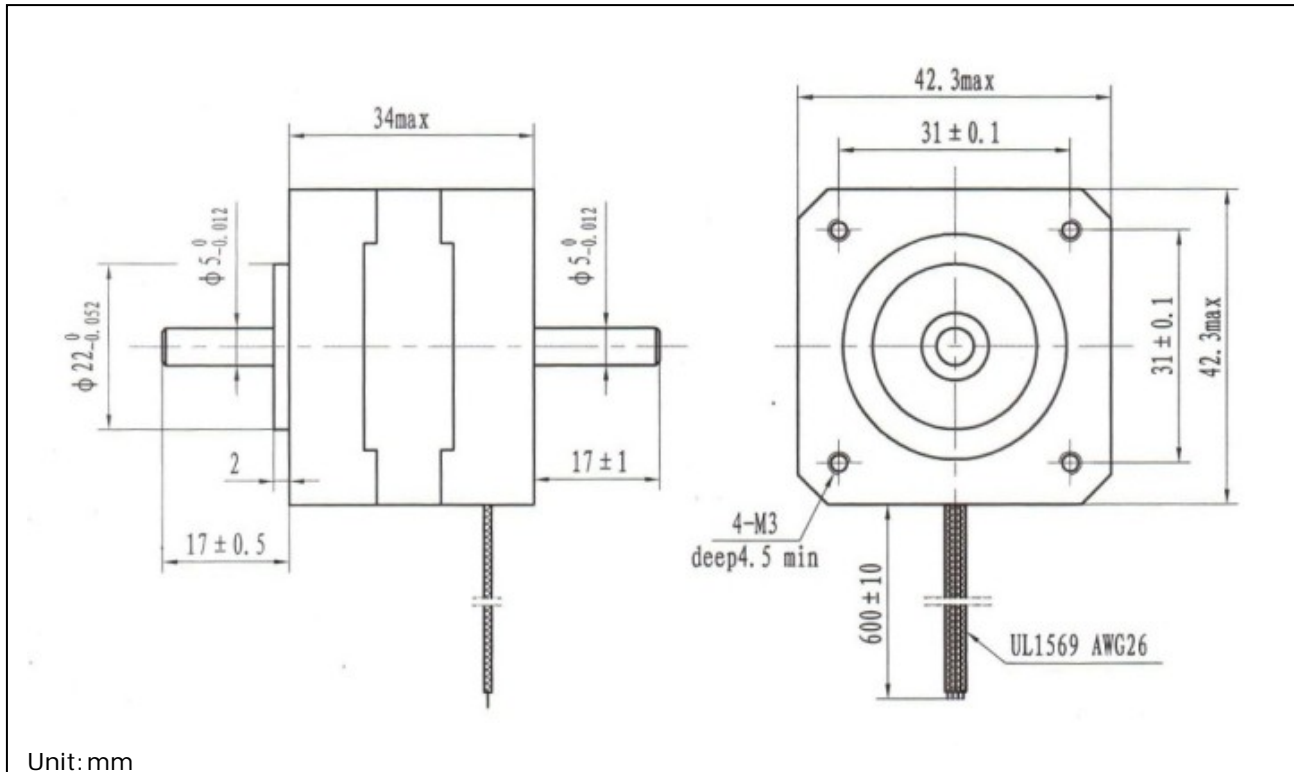


Jameco No.:155460

MFG Model: 42BYG023-R



Unit: mm

General specification		Electrical specification	
Step angle	1.8°±5%	Rated voltage	12V
Number of phase	2	Current per phase	0.4A
Insulation resistance	100MΩmin (500V DC)	Resistance per phase	32Ω±10%
Insulation class	Class B	Inductance per phase	32mH±20%
Rotor inertia	38g-cm <sup>2</sup>	Holding torque	220mN.m
Mass	0.2kg	Detent torque	12mN.m

Wiring Diagram

