

Distributed by:

JAMECO[®]
ELECTRONICS

www.Jameco.com ♦ 1-800-831-4242

The content and copyrights of the attached
material are the property of its owner.

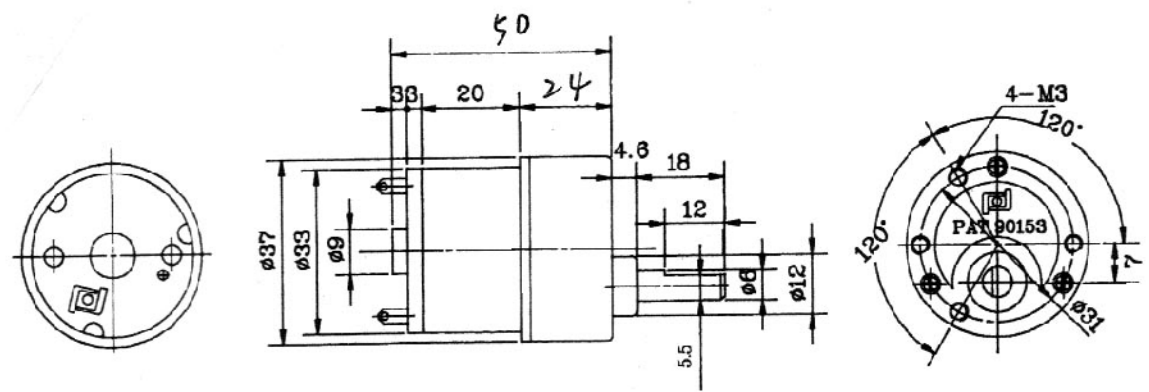
Jameco Part Number 155821

Date	Rev.	Description

SPECIFICATION SHEET

TYPE: HN-GH35GMB TYPE
 MODEL: HN-GH12-1830Y-P-R
 CUSTOMER PART NO.: 155821

I. OUTER DIMENSIONS :



MATERIAL DRWN: Kiki Chen VERIFY PEOPLE:	GOLDSUN ELECTRONICS CO., LTD. JAMECO NO. 155821 GOLDSUN NO. Description SPECIFICATION SHEET Rev. 1 UNIT: mm SCALE: SHEET 1 OF 1 CAS No: ERN No:
---	--

DCC. NO.
A4 DRAWING NO.

Date	Rev.	Description

SPECIFICATION SHEET

TYPE: HN-GH35GMB TYPE
 MODEL: HN-GH12-1830Y-P-R
 CUSTOMER'S PART NO.: 155821

II. SPECIFICATIONS :

1. TESTING CONDITIONS:
 ENVIRONMENT TEMPERATURE: 25 DEGREES CELSIUS.
 RELATED HUMIDITY: 60%.
 TESTING POSITION: THE GEARMOTOR LIES IN HORIZONTAL POSITION.
2. RATED VOLTAGE(POWER SUPPLY): DC12V.
 THE POWER SUPPLY MUST BE PURE DC(DIRECT CURRENT) AND CAN NOT CARRY ANY AC(ALTERNATING CURRENT).
3. GEAR RATIO: 1000:1
4. RATED LOAD AT DC12V : 4.5Kg-cm.
 DON'T EXCEED RATED LOAD. OVERLOADING CAN CAUSE DAMAGE TO GEARMOTOR.
5. NO LOAD SPEED AT DC12V: 4RPM+/-2RPM.
6. SPEED AT DC12V & RATED LOAD(4.5Kg-cm): 3RPM+/-2RPM
7. NO LOAD CURRENT AT DC12V: LOWER THAN 41mA.
8. CURRENT AT DC12V & RATED LOAD(4.5Kg-cm): LOWER THAN 76mA.
9. SHAFT END PLAY: MAXIMUM 0.8m/m.
10. INSULATION RESISTANCE: 10M ohm AT DC300V.
11. WITHSTAND VOLTAGE: DC300V FOR ONE SECOND.
12. THE GEARMOTOR IS NOT INTENDED FOR INSTANT REVERSE. BE SURE THE GEARMOTOR IS STOPPED BEFORE REVERSING.
13. THE GEARMOTOR DOESN'T HAVE ANY PROTECTIVE MEASURES LIKE WATER-PROOF, DUST- PROOF, ETC..... PLEASE USE IT IN THE NORMAL ENVIRONMENT AND TEMPERATURE.
14. IF YOU HAVE ANY QUESTIONS ABOUT THE SPECIFICATIONS AND DIMENSIONS, KINDLY PLEASE FEEL FREE TO CONTACT US.

DCC. NO.	MATERIAL	GOLDSUN ELECTRONICS CO., LTD.		
A4 DRAWING NO.	DRWN: Kiki Chen	Description SPECIFICATION SHEET		Rev. 2
	VERIFY PEOPLE:	UNIT: mm	SCALE:	SHEET 1 OF 1
		CAS No: ERN No:		

Date	Rev.	Description

SPECIFICATION SHEET

TYPE: HN-GH35GMB TYPE
 MODEL: HN-GH12-1830Y-P-R
 CUSTOMER'S PART NO.: 155821

III. GUARANTEE :

A period of six months from the shipping date shall be provided by us as the guarantee. But our company shall not be liable for any failures which is resulted upon reaching 300 hours of services life or due to improper application, maintenance, installation, man-made negligence and natural disaster.

All our products are made according to the specifications we offered you. Should a problem occur, then the specifications shall be based and no objections shall be held by you. In case if the delivered DC gearmotors are in contradictory with the specifications within the guarantee period, in absence of proviso stated in the aforesaid provision, then our company will accept repair or replacement in our factory and or refund. However, our company shall not be liable for any additional responsibilities.

DCC. NO.	MATERIAL	GOLDSUN ELECTRONICS CO., LTD.		
		JAMECO NO. 155821	GOLDSUN NO.	
A4 DRAWING NO.	DRWN: Kiki Chen	Description		Rev. 3
	VERIFY PEOPLE:	SPECIFICATION SHEET		
	UNIT: mm	SCALE:	SHEET 1 OF 1	CAS No: ERN No: