

Distributed by:

JAMECO[®]
ELECTRONICS

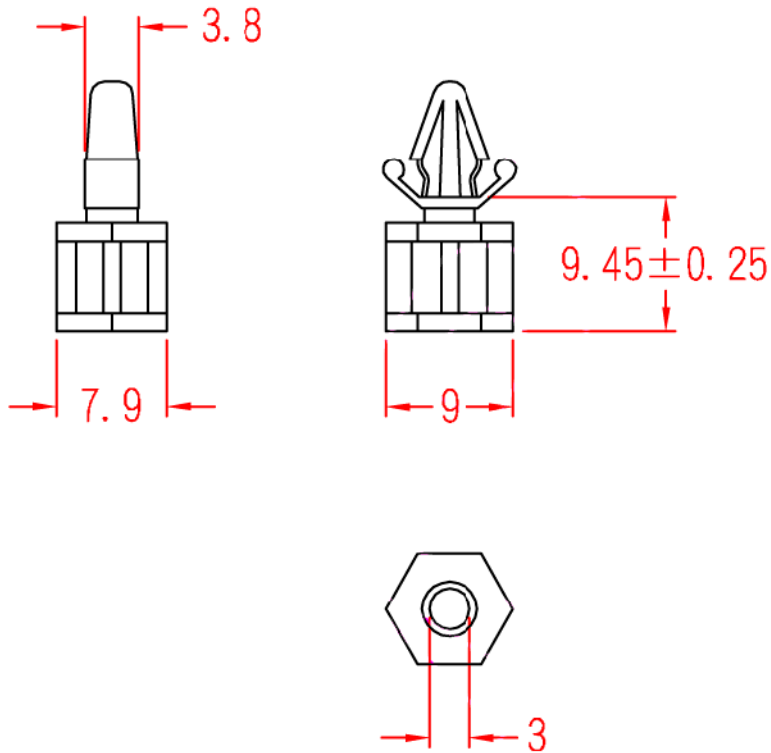
www.Jameco.com ♦ 1-800-831-4242

The content and copyrights of the attached
material are the property of its owner.

Jameco Part Number 156831

Date	Rev.	Description

CS-10



To fit 4.0mm hole
chassis 0.5~2.0mm

DCC. NO.
A4 DRAWING NO.

MATERIAL	GOLDSUN ELECTRONICS CO., LTD.			
	JAMECO NO.	GOLDSUN NO.		
	156831	CS-10		
DRAWN: Kiki Chen	Description			Rev.
VERIFY PEOPLE: Wendy Chen, Fanny Du	PCB STANDOFF MOUNTING HARDWARE			1
	UNIT:	SCALE:	SHEET 1 OF 1	CAS No: ERN No:
	mm			