

1 Resistor - Weerstand - Résistance - Widerstand - Resistencia - Motstand - Vastus - Resistenze

$\varnothing R1: 1M$
 $\varnothing R2: 1M$
 $\varnothing R3: 100K$
 $\varnothing R4: 100K$
 $\varnothing R5: 1K$

(Brown, Black, Green) -(Bruin, Zwart, Groen) -(Brun, Noir, Vert) -(Braun, Schwarz, Grün), -(Brun, Svart, Grön) -(Ruskea, Musta, Vihreä) -(Marrón, Negro, Verde) -(Castanho, Preto, Verde) -(Marrone, Nero, Verde)

(Brown, Black, Yellow) -(Bruin, zwart, Geel) -(Brun, noir, Jaune) -(Braun, Schwarz, Gelb) -(Brun, Svart, Gul) -(Ruskea, Musta, Keltainen) -(Marrón, Negro, Amarillo) -(Castanho, Preto, Amarelo) -(Marrone, Nero, Giallo)

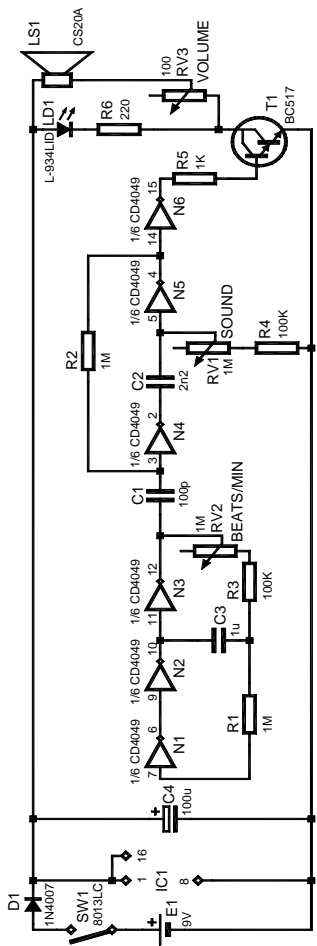
(Brown, Black, Red) -(Bruin, Zwart, Rood) -(Brun, Noir, Rouge) -(Braun, Schwarz, Rot) -(Brun, Svart, Röd) -(Ruskea, Musta, Punainen) -(Marrón, Negro, Rojo) -(Castanho, Preto, Encarnado) -(Marrone, Nero, Rosso)

(Red, Red, Brown) -(Rood, Rood, Bruin) -(Rouge, Rouge, Brun) -(Rot, Rot, Braun) -(Röd, Röd, Brun) -(Punainen, Punainen, Ruskea) -(Rojo, Rojo, Marrón) -(Encarnado, Encarnado, Castanho) -(Rosso, Rosso, Marrone)

2 Diode - Diodo - Diod

$\varnothing D1: 1N4007$
Watch the polarity !

Cathode ! $\leftarrow D$



3 IC Socket - IC voet - Support de CI - IC Fuß - Soporto del CI - IC Sokkel - Mikropiirkanta - IC sokkel - Zoccolo IC

$\varnothing IC1: 16P$

4 Transistor

$\varnothing T1: BC517$

5 Capacitor - Condensateur

$\varnothing C1: 100pF (100, 101)$
 $\varnothing C2: 2n2 (222)$

6 ELCO

$\varnothing C4: 100\mu F$
Watch the polarity !
Att. la polarité !

7 LED

$\varnothing LD1: 3mm$
Watch the polarity !

Cathode ! $\leftarrow LD$

8 -Trimpotentiometer -Potentiomètre de réglage - Potentiómetro de regulacion - Trimmerpotentiometri -Trimme-potentiometer - Trimmer

$\varnothing RV2: 1M (BEATS /MIN)$
 $\varnothing RV1: 1M (SOUND)$

9 IC - CI

$\varnothing IC1: CD4093$

10

11 Switch

12