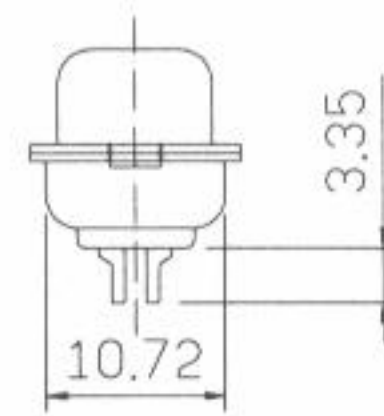
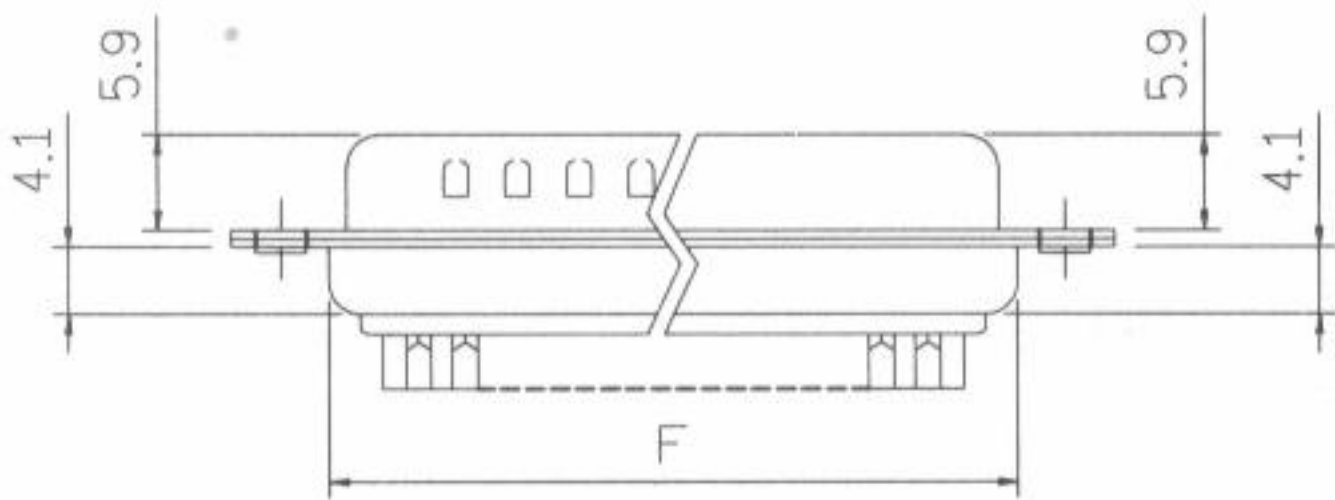
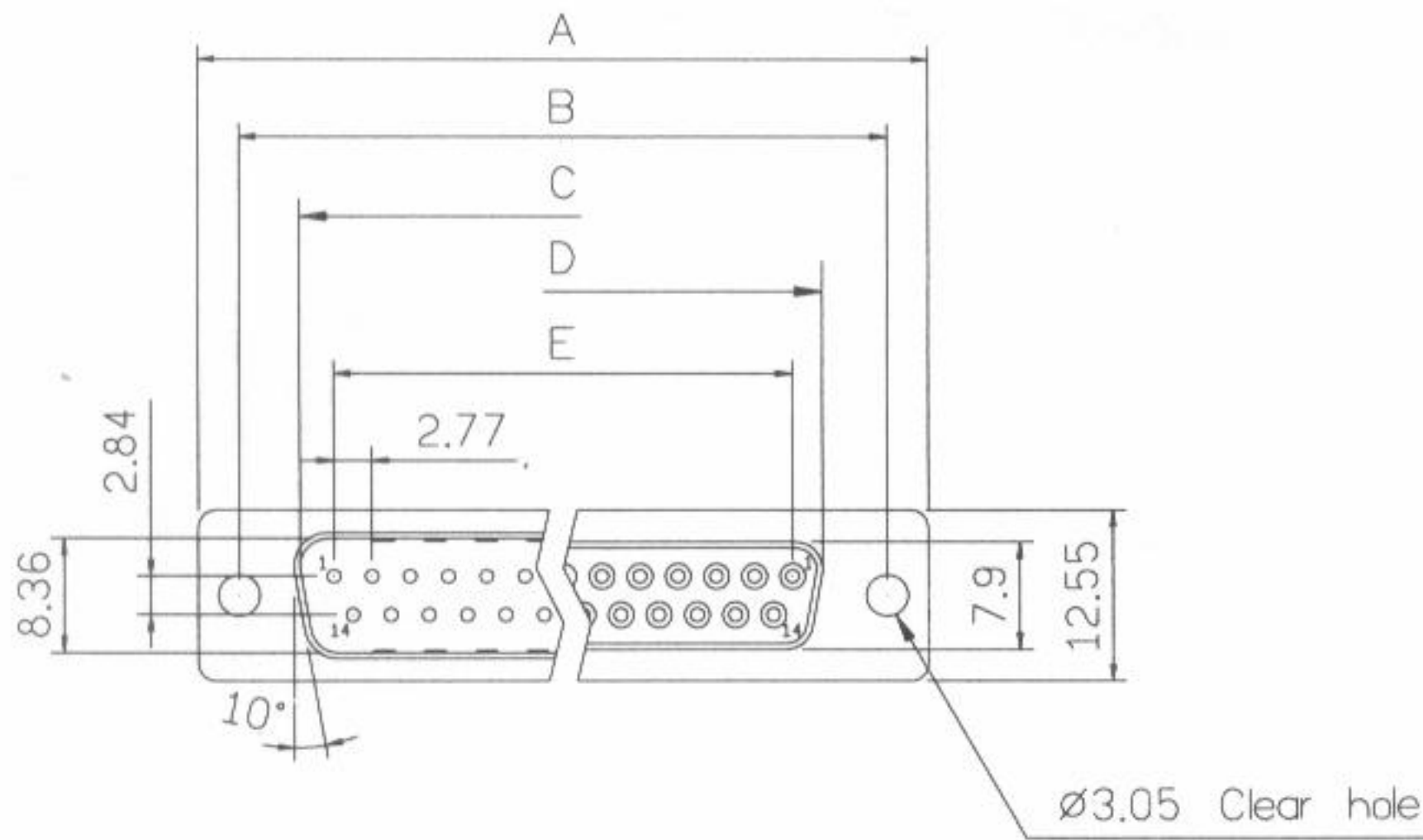
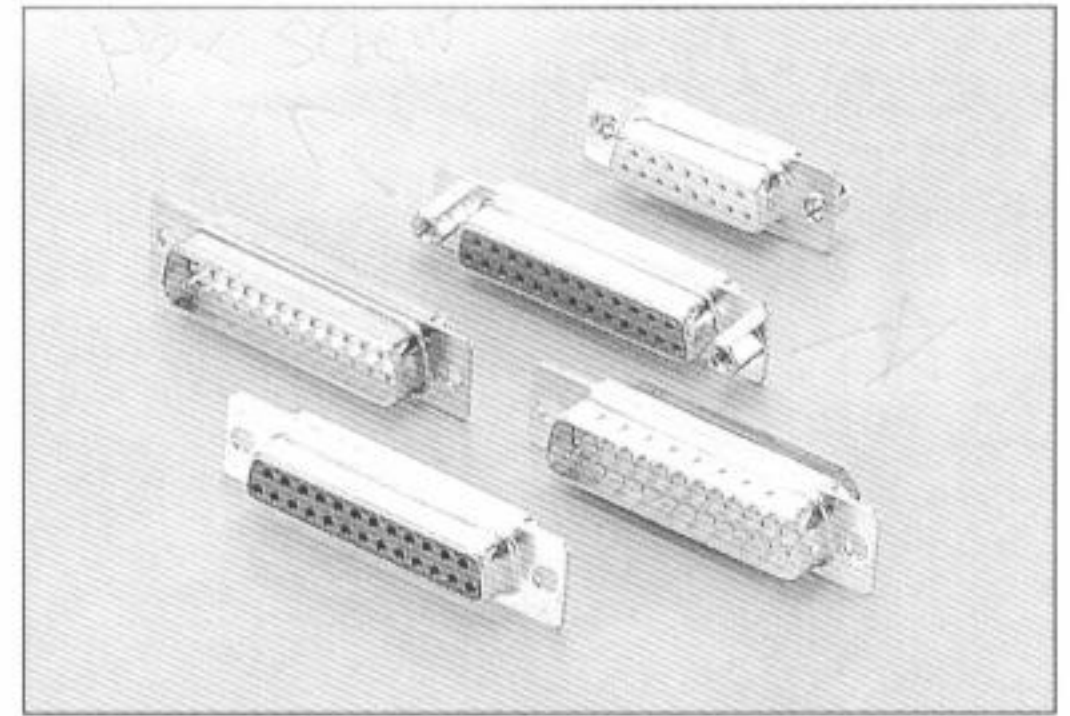
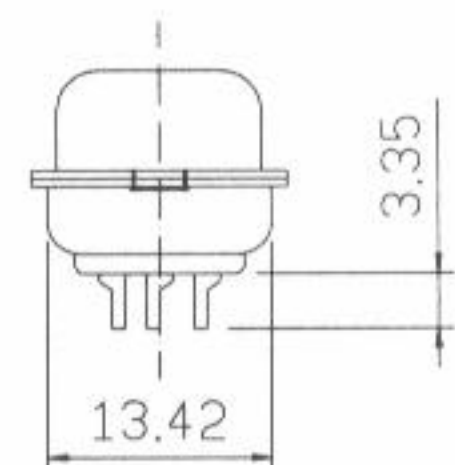
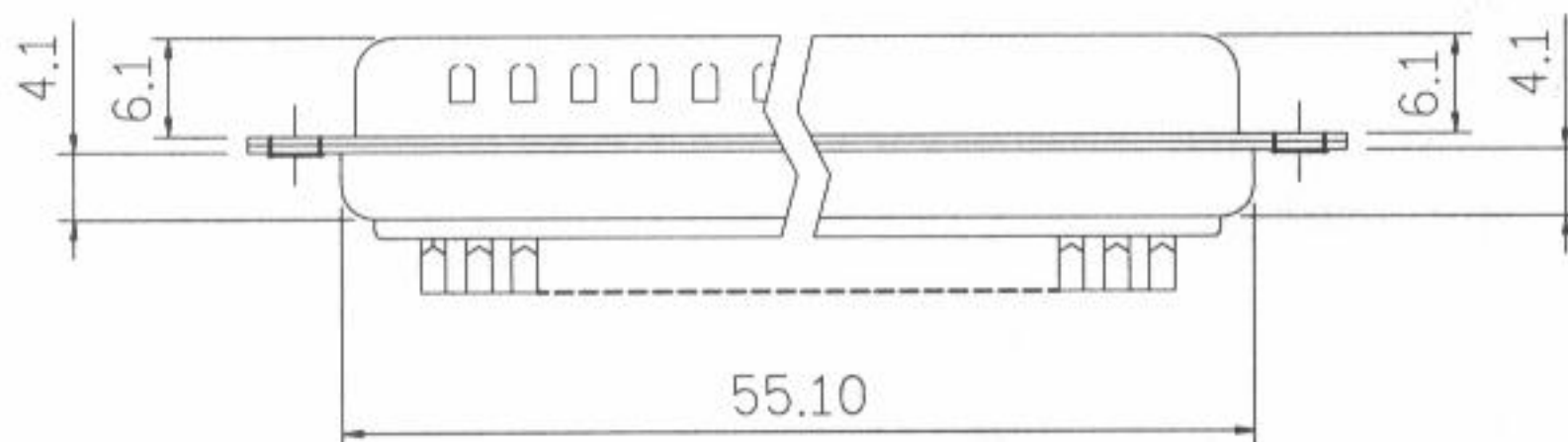
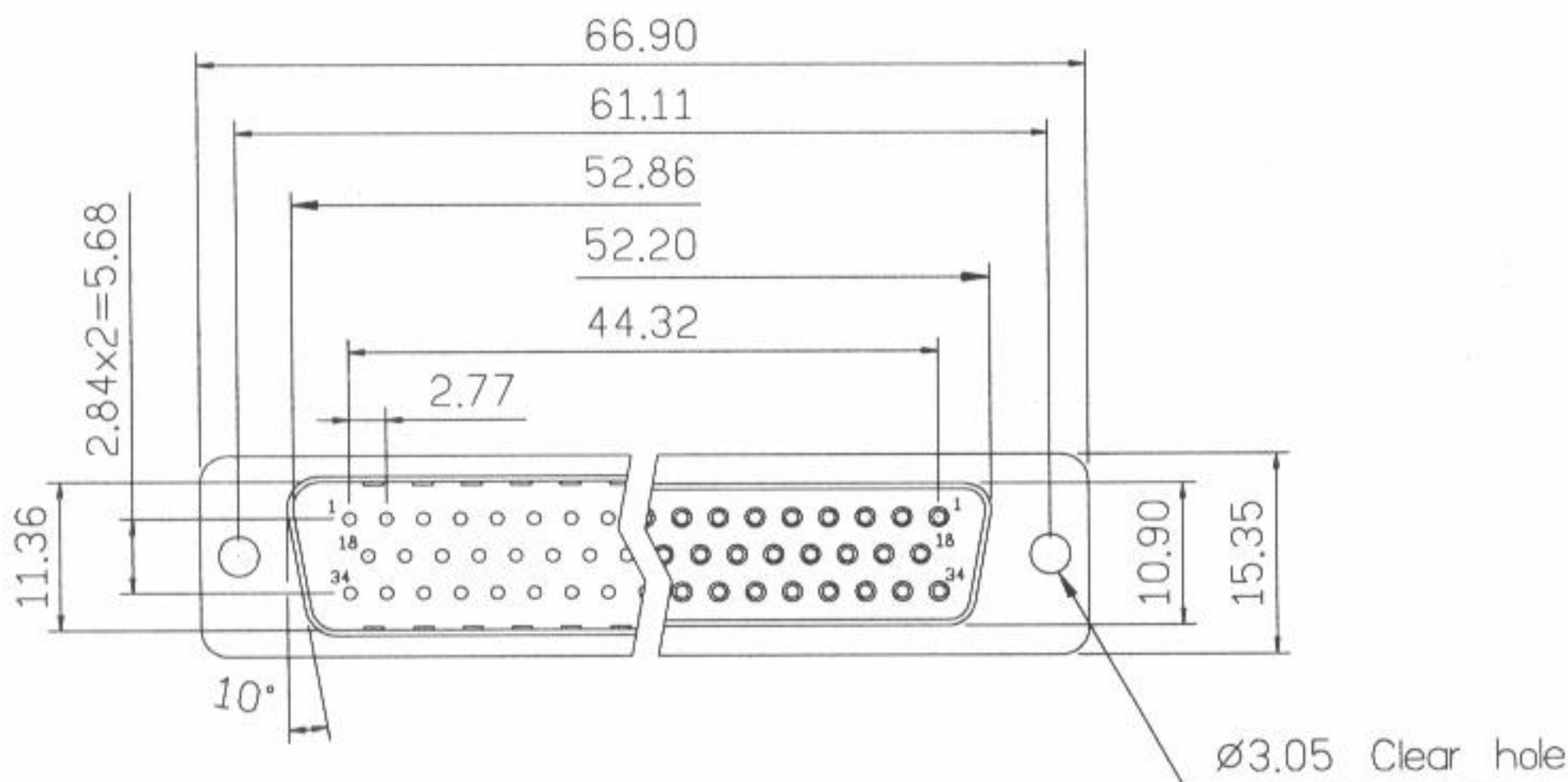


D-SUB Solder Type



Dimensions

Positions	A	B	C	D	E	F
9	30.81	24.99	16.92	16.33	11.08	19.20
15	39.14	33.32	25.50	24.66	19.39	27.70
25	53.04	47.04	38.96	38.38	33.24	41.10
37	69.32	63.50	55.42	54.84	49.86	57.30



50 Positions

1001 SERIES

D-SUB Solder Type

Product Specification

Material

Insulator : Glass-Filled Thermoplastic
PBT,UL94V-0 rated

Contact : Brass or Phosphor Bronze

Shell : Steel, 100u" Tin Over 50u" min
Nickel.

Clinch Nut: Brass, 100u" min Nickel
Plated.

Boardlock : Brass, 100u" min Nickel
Plated.

Screwlock : Brass, 100u" min Nickel
Plated.

Electrical

Contact Resistance : 20 milliohms
Max at 1 AMP DC.

Insulation Resistance : 1000
megohms at 500 VDC

Dielectric Withstanding Voltage :
1000 VAC/rms 60Hz for 1 minute

Current Rating : 5 AMP

Volatge Rating : 250 VAC/rms
60Hz

Soldering temperature for new version
contacts : over 300 degree C for 1-2 seconds

Ordering Information

1001 —

Series No.

No. Of Pins

- 09: 09 positions
- 15: 15 positions
- 25: 25 positions
- 37: 37 positions
- 50: 50 positions

Contact Type

- 1: Male
- 2: Female

Contact Plating

- 0: Gold flash selective gold
- 1: 5u" selective gold on contact
- 2: 10u" selective gold on contact
- 3: 15u" selective gold on contact
- 4: 30u" selective gold on contact
- 5: 50u" selective gold on contact
- 6: Gold flash full gold

Shell Plating

- 1: Nickel
- 2: Tin (standard)
- 3: Chromated

Insulator Color

- 1: Blue
- 2: Black (standard)
- 3: White
- 4: Gray

Position Of Clinch Nut

- 0: Ø3.05mm clear hole
- 1: Riveted front shell
- 2: Riveted rear shell
- 3: Riveted boardlock

Flange Mounting Option

- 0: Ø3.05mm clear hole
- 1: #4-40 threaded hole
- 2: #4-40 threaded hole with #4-40 unc screwlock installed
- 3: #4-40 threaded hole with #4-40 unc screwlock bulk-packed
- 4: M3 threaded hole
- 5: M3 threaded hole with M3 screwlock installed
- 6: M2.6 threaded hole
- 7: M2.6 threaded hole with M2.6 screwlock installed
- 8: #4-40 unc×0.5 Dip

Pin Type

- 1: Stamped pin
- 2: Machined pin

Core

- 0: Without core
- 1: With core