

Distributed by:



[www.Jameco.com](http://www.Jameco.com) ♦ 1-800-831-4242

The content and copyrights of the attached material are the property of its owner.

Jameco Part Number 1585485

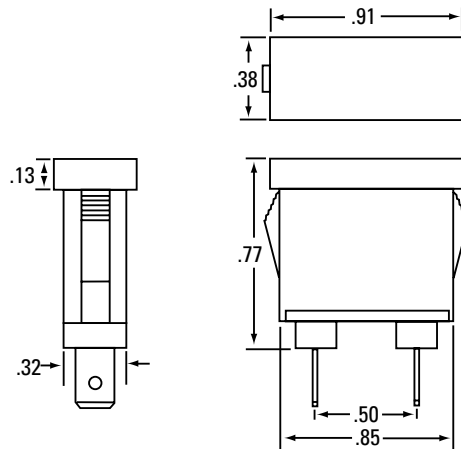
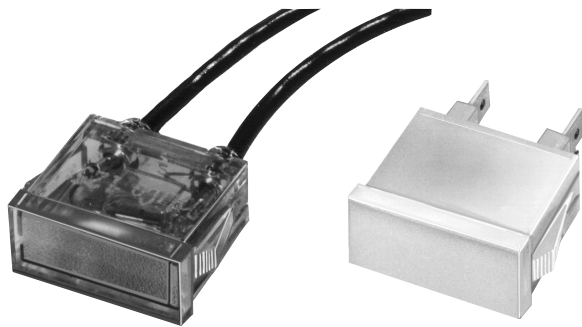
# SERIES

# 32

- Snap fits into .330" x .865" panel cutout
- Body and lens are one piece design
- Incandescent and neon illumination

## SPECIFICATIONS

Body Material: Polycarbonate  
 Lens Material: Polycarbonate  
 Wire Gauge: 18 ga.  
 Wire Strip: 1/2"  
 Panel Thickness: 0.025" to 0.125"  
 Certifications: UL, CSA



Series	Lamp			Termination		Base		Bezel		Lens			
XX	XX			X	X		X	X		XXX	X	0	
32	Voltage	Type	Code	Style	Code	Color	Code	Finish	Code	Style	Code	Color	Plain
	6	INCAND	32	6" Wire	1	N/A	0	N/A	0	Rectangular Translucent	171	Red	1
	14	INCAND	35	.187 Tabs	3					Rectangular Frost	174	Amber	2
	28	INCAND	39	Special	X							Clear	3
	125	NEON	50									Green	4
	250	NEON	52									Blue	5
		Special	XX									White	6
												<i>Color Marked</i>	
												Red	A
												Amber	B
												Clear	C
												Green	D
												Blue	E
												White	F

White lens is Translucent  
 Clear lens is Transparent

### ADDITIONAL OPTIONS (see Pricing Adders)

- Terminals attached to wire leads      Green / Blue Neon Lamps
- High temperature wire leads
- Potted lamp
- Custom Marking
- Additional voltages are available