

Distributed by:

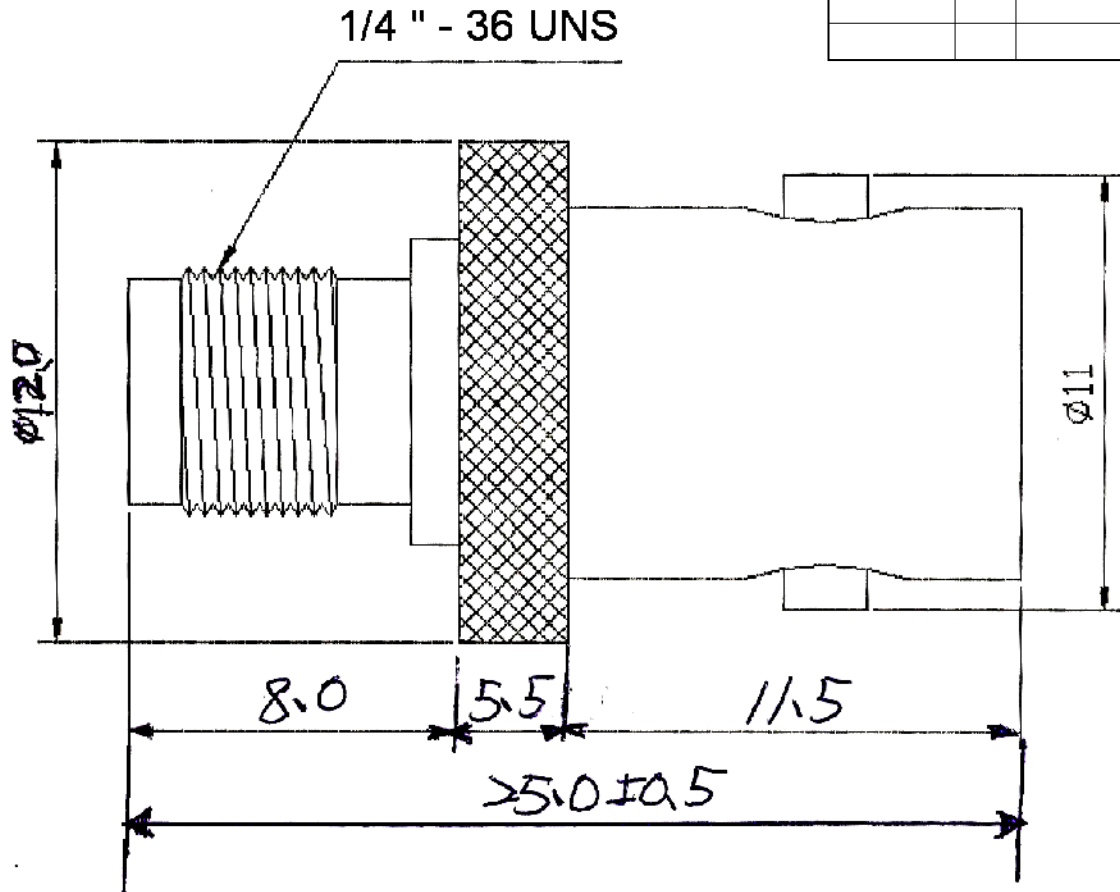
**JAMECO**<sup>®</sup>  
ELECTRONICS

**www.Jameco.com ♦ 1-800-831-4242**

The content and copyrights of the attached  
material are the property of its owner.

Jameco Part Number 159469

Date	Rev.	Description



BODY	BRASS	NICKEL
PIN	BRASS	GOLD
INSULATOR	TEFLON	WHITE

DCC. NO.
A4 DRAWING NO.

MATERIAL		<b>GOLDSUN ELECTRONICS CO., LTD.</b>			
		JAMECO NO.	GOLDSUN NO.		
		<b>159469</b>	CH-7830		
DRAWN: Kiki Chen		Description			Rev.
VERIFY PEOPLE: Ada Zheng , Ivy Lan		SMA FEMALE TO BNC FEMALE			1
UNIT:	SCALE:	SHEET 1 OF 1	CAS No:		
mm			ERN No:		