

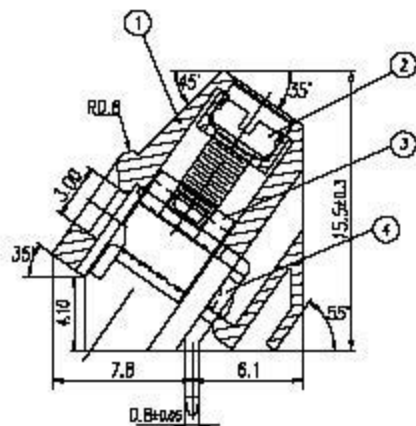
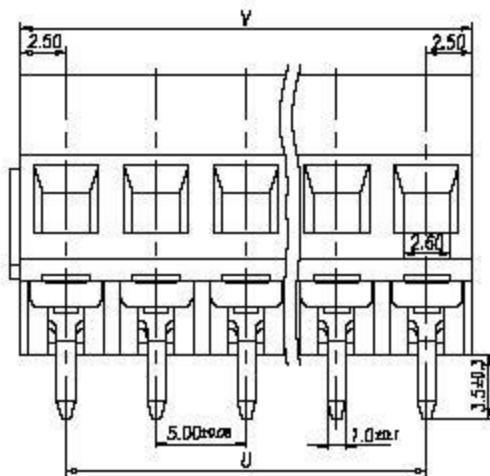
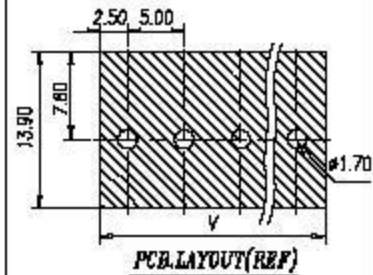
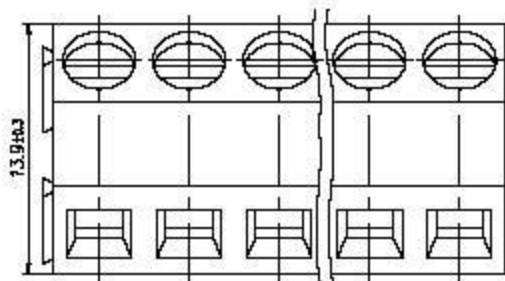
Distributed by:

JAMECO[®]
ELECTRONICS

www.Jameco.com ♦ 1-800-831-4242

The content and copyrights of the attached
material are the property of its owner.

Jameco Part Number 161059



NOTES:

1. Rating: 300V 20A
PITCH: 5.00mm
2. Insulation Withstands Voltage:
AC 1500V/MIN
3. Insulation Resistance:
500MΩ or more at DC300V
4. Using Temperature Range:
-40°C +105°C
5. Screw torque value: $\text{rgf} \cdot \text{m}$
6. Suitable Electric Wire: #12-12 AWG
7. Undimensioned Tolerances:

∅	0.05/10	△
∅	0.3/0	
∅	0.05/10	△
∅	0.3/0	
PITCH ARRAY		±0.3
UNDIMENSIONED TOLERANCES		±0.3

P	2	3	4	5	6	7	8	9	10	11	12	13
U	5.00	10.00	15.00	20.00	25.00	30.00	35.00	40.00	45.00	50.00	55.00	60.00
V	10.00	15.00	20.00	25.00	30.00	35.00	40.00	45.00	50.00	55.00	60.00	65.00
P	14	15	16	17	18	19	20	21	22	23	24	
U	65.00	70.00	75.00	80.00	85.00	90.00	95.00	100.00	105.00	110.00	115.00	
V	70.00	75.00	80.00	85.00	90.00	95.00	100.00	105.00	110.00	115.00	120.00	

Tolerances for PITCH ERROR

4	SOLDER PIN	00148001100	P	COPPER	Tn Plated
3	WIRE CAGE	X000000800	P	STEEL	ME.2/Zn Plated
2	SCREW	S000003400	P	STEEL	M ⁺ -Zn Plated
1	HOUSING	0054A1XX00	1	PAB6(V2)	ε V



△	工程変更	XM	06.03.15	DWG.	RYAN	DATE	08.08.18	UNITS	MM	SHEET/L.	1 / 2
△	客户承認	YPT	09.05.18	CHK.		DATE		5. E	4:1 (2.5:1)		
△	工程承認	張瑞華	01.7.28	APP.		DATE					
△	工程承認	張瑞華	01.08.18								
REV.	CONTENT	CHK.	DATE	NAME		EK500A-□□ P		DWG NO.			
								SP-02-EK500APD			