

8

7

6

5

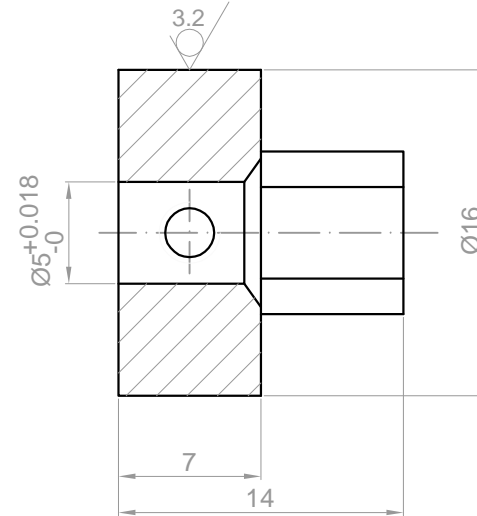
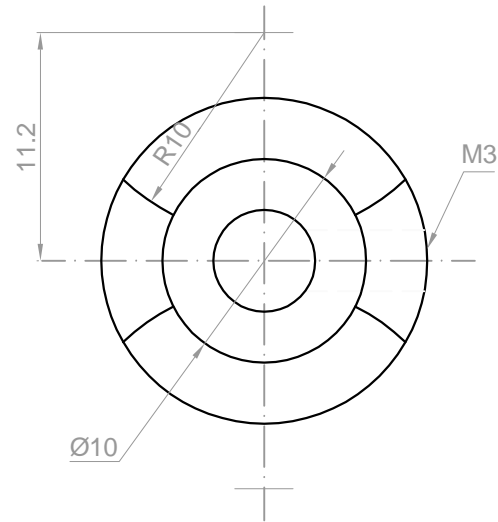
4

3

2

1

Rev.	Revision	Date
01	Update	12/06/2011



DRAWN	Shelly	12/06/2011
CHECKED	Sara	12/06/2011
ENG APPR.		
MFG APPR.		
Q.A.		

UNIT: mm

Sinotech

M01-0002

SIZE
A4

P/N
161998

REV
01

SCALE: 6:1

Weight(kg):

SHEET 1 OF 1

8

7

6

5

4

3

2

1