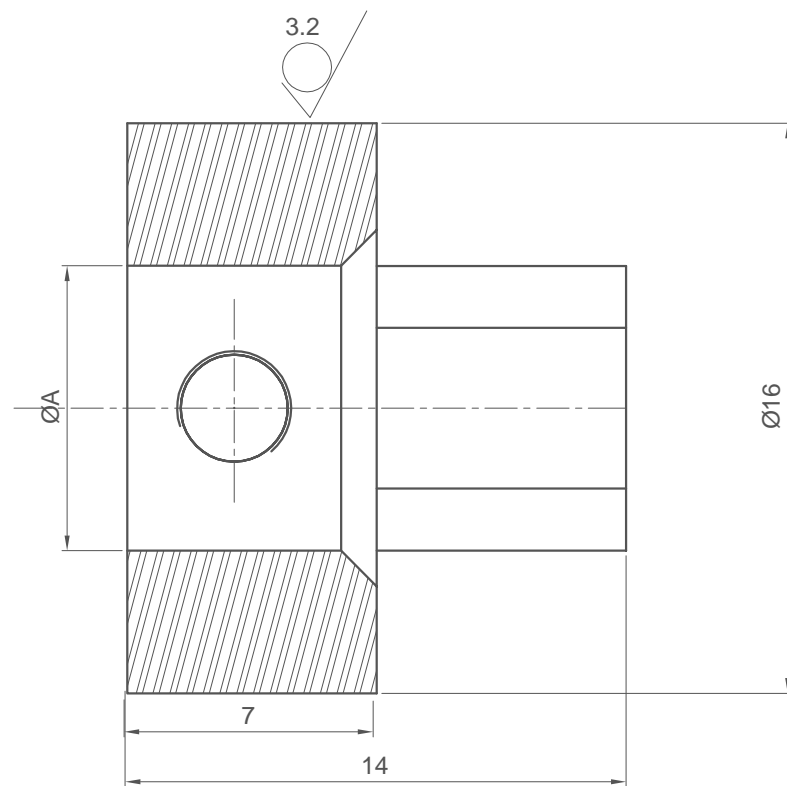
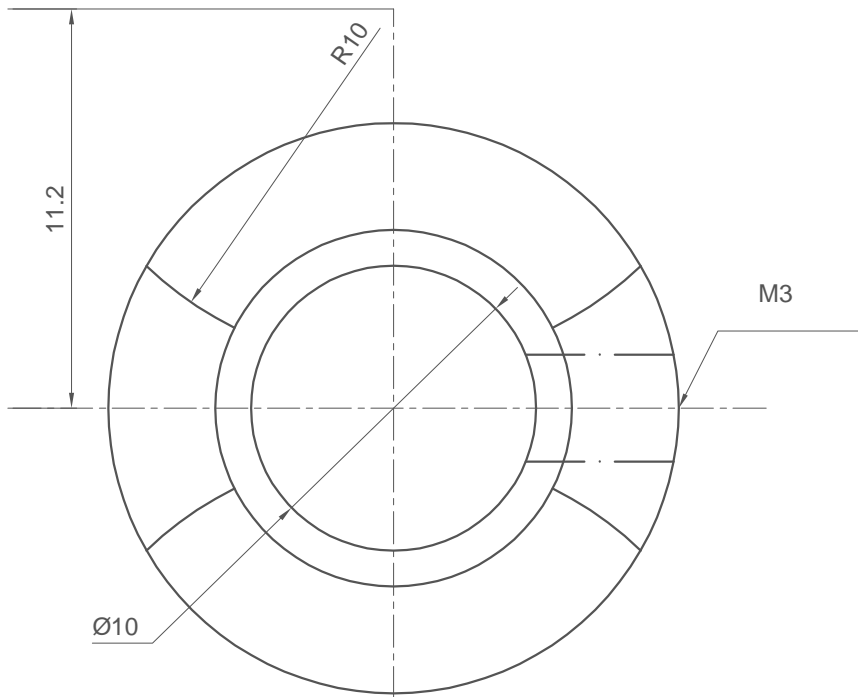


Rev.	Revision	Date
01	Update	10/26/2010



Diameter A
 $+0.018$
 $\text{Ø}3.18 \text{ } 0.000$
 $+0.018$
 $\text{Ø}5.00 \text{ } 0.000$
 $+0.02$
 $\text{Ø}6.35 \text{ } 0.00$

DRAWN	Phoebe	10/27/2010	UNIT: mm	
CHECKED	Sara	10/27/2010	Sinotech	
ENG APPR.				
MFG APPR.				
MATERIAL	Duralumin			
M01-004			SIZE A4	DWG.NO. 162000
			SCALE: 7:1	REV 01
			Weight(kg):	SHEET 1 OF 1