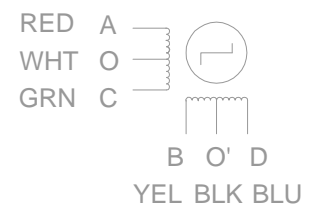
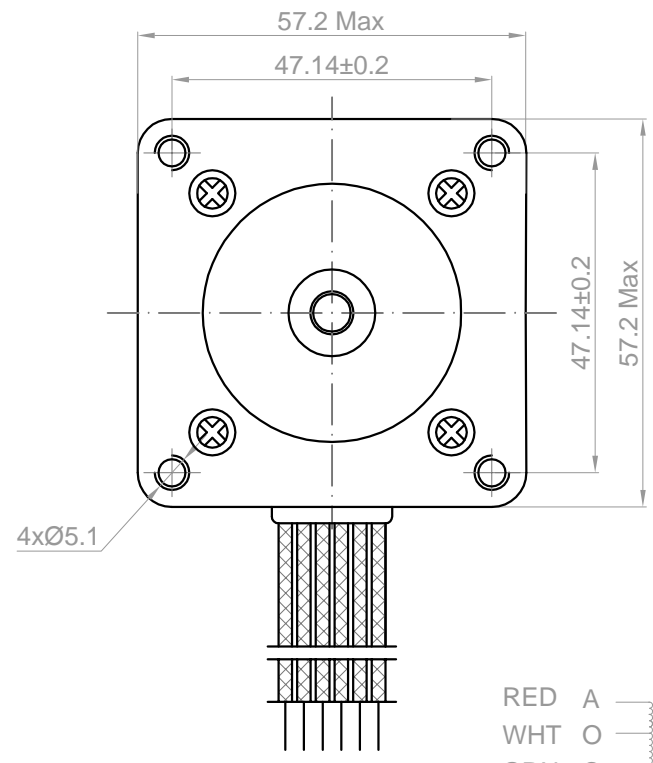
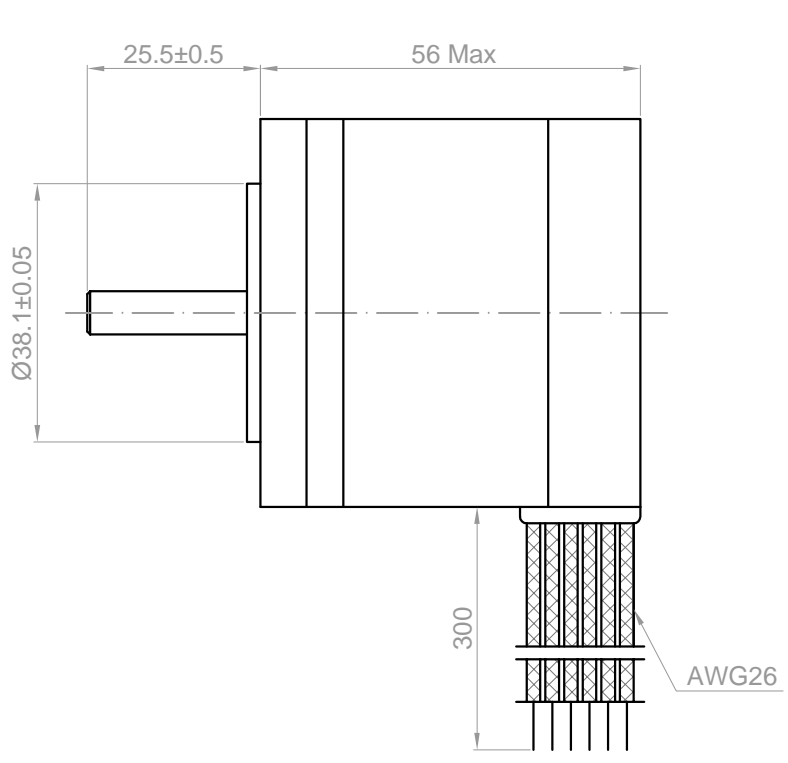


Rev.	Description	Date
01	Release for Production	08/14/2012



NO.	Item	Specification	NO.	Item	Specification
1	Step Angle	1.8°±5%	8	Insulation Class	B
2	Rated Voltage	12 V	9	Insulation Resistance	100MΩ <500V DC>
3	Current Per Phase	0.6 A	10	Ambient Temp	-20~50°C
4	Resistance Per Phase	20 Ω ±10%	11	Temp Rise	80°C
5	Inductance Per Phase	25 mH ±20%	12	Radial Play	0.05mm Max<450g Load>
6	Number of Phase	4	13	End Play	0.1mm Max<450g Load>
7	Holding Torque	6.0 Kg.cm Max	14	Insulation Strength	500VAC/50Hz/1 Minute

Drawn	Feny	08/14/2012	<h1>Sinotech</h1>		
Checked	Sara	08/14/2012			
Eng Appr.					
Mfg Appr.					
Q.A.					
P/N	162027		Size : A4	Weight(Kg): 0.65	Unit: mm
			Scale: 2:1		