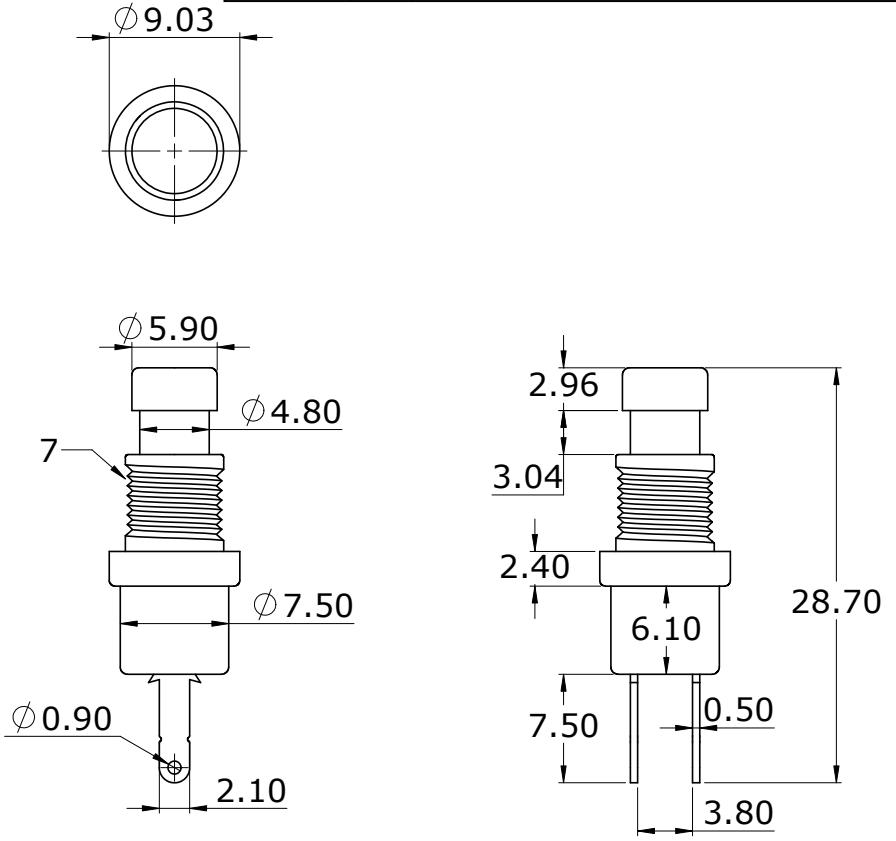
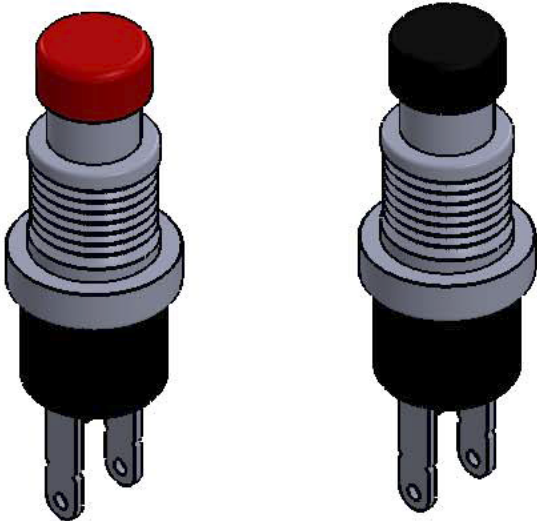


Date	Rev.	Description



**SPECIFICATIONS:**

1. CIRCUIT: A: (ON) -OFF
2. RATING: 1A 250VAC / 3A 125VAC
3. CONTACT RESISTANCE: 30mΩ MAX
4. INSULATION RESISANCE: DC 500V 100M Min
5. DIELECTRIC STRENGTH: AC 1000V 1 MINUTE
6. ELECTRICAL LIFE: 6000 CYCLE Min
7. MECHANICAL LIFE: 10.000 CYCLE Min
8. TERMINAL MATERIAL: COPPER, ALLOY, (SILVER OR GOLD), PLATED
9. PUSH FORCE: >0.3kg
10. BUTTON COLOR: RED, BLACK

Ω

TOLERANCE
±0.5
.X ± 0.5
.X ± 0.2
.XX ± 0.02

DCC. NO.
A4 DRAWING NO.

MATERIAL		<b>GOLDSUN ELECTRONICS CO., LTD.</b>			
		JAMECO NO.	164639		GOLDSUN NO.
DRAWN: Tina		Description			Rev. 1
VERIFY PEOPLE: Chesley		UNIT: mm	SCALE:	SHEET 1 OF 1	CAS No: ERN No: