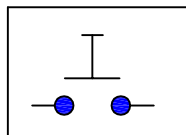
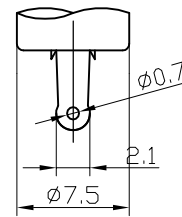
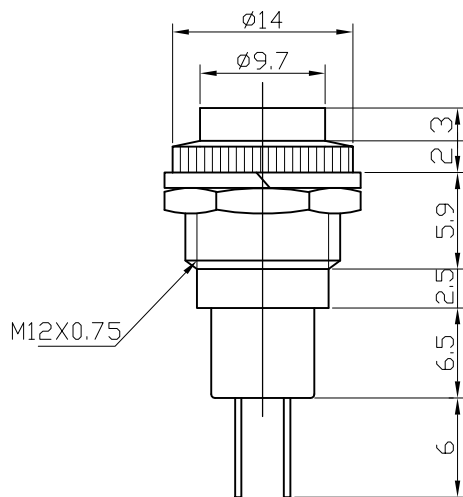
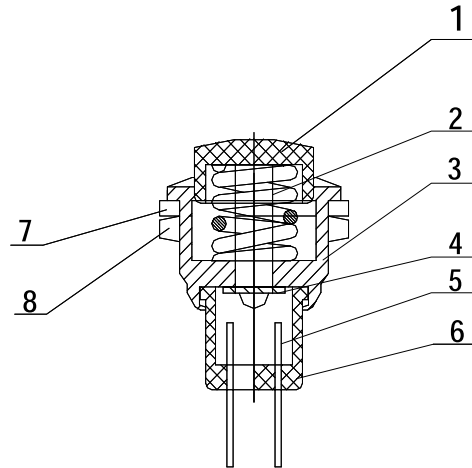


| 序号 | 另件名称 | PARTS NAME | 另件材料 | THE PARTS OF MATERIAL | 电镀 | PLATING | 欧洲环保 | RoHS |
|----|------|---------------|------|-----------------------|-------|----------------|------|------|
| 1 | 按钮 | Push Button | 尼龙 | PA46 | ----- | | RoHS | |
| 2 | 弹簧 | Spring | 钢丝 | Steel wire | ----- | | RoHS | |
| 3 | 本体 | Crust | 黄铜 | Brass | 镀镍 | Nickel Plating | RoHS | |
| 4 | 动触片 | Movable Plate | 黄铜 | Brass | 镀银 | Silver Plating | RoHS | |
| 5 | 端子 | Terminals | 黄铜 | Brass | 镀银 | Silver Plating | RoHS | |
| 6 | 基座 | Housing | 尼龙 | PA46 | ----- | | RoHS | |
| 7 | 固定华司 | Fix Washer | 不锈钢 | Stainless Steel | ----- | | RoHS | |
| 8 | 螺帽 | Nuts | 黄铜 | Brass | 镀镍 | Nickel Plating | RoHS | |



Circuit Diagram

技术特性

1. 接触电阻 Contact R:20mΩ Max
2. 绝缘电阻 Insulation R: DC 500V 100MΩ Min
3. 耐电压 Dielectric Streng:1000VAC 1 Minute
4. 电气寿命 Electrical life:10,000 Cycles
5. 电路特性 Circuitry trait: Puch ON 1A 125V

| | | | | |
|----------------|--------|---|-------------|---------|
| MATERIAL: | | GOLDSUN ELECTRONICS CO., LTD. | | |
| | | JAMECO NO. | GOLDSUN NO. | |
| | | 164671 | | |
| DRAWN: | | Description | | Rev. |
| VERIFY PEOPLE: | | Switch Push Button Single Pole Single Throw Off Momentary (On) 1 Amp 125 Volt | | 1 |
| UNIT: | SCALE: | SHEET 1 OF 1 | | CAS No: |
| mm | | | | ERN No: |