

5

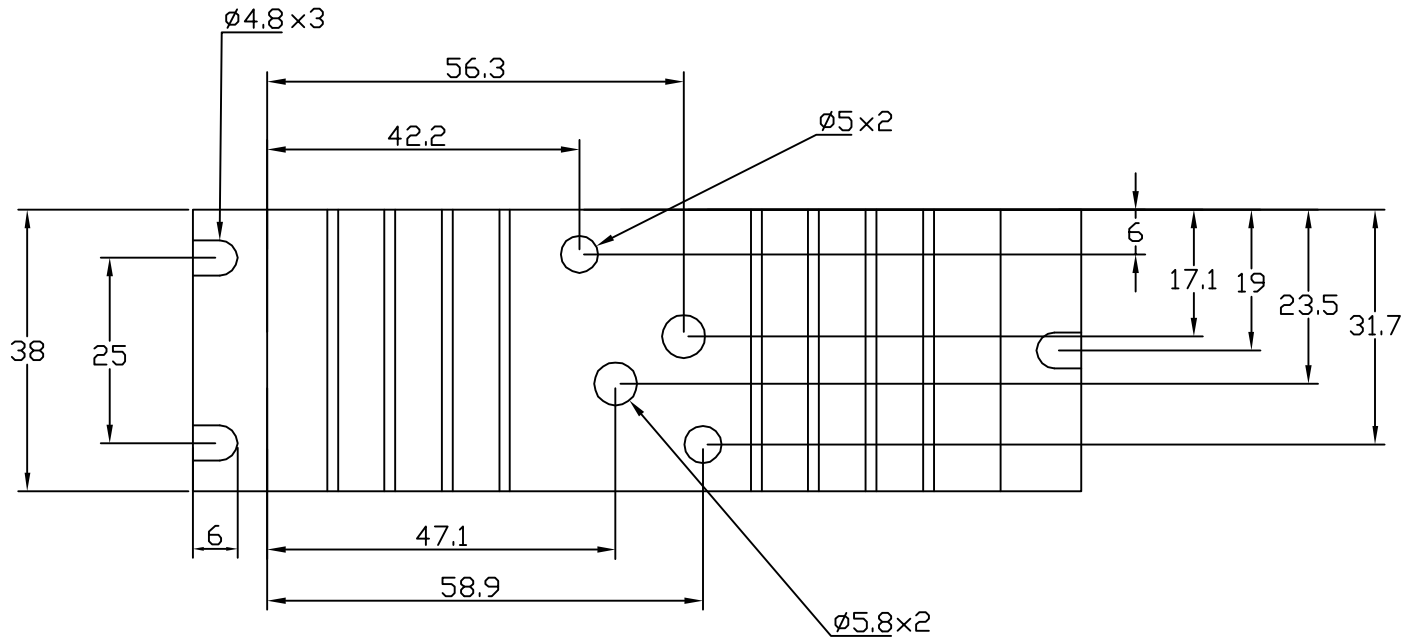
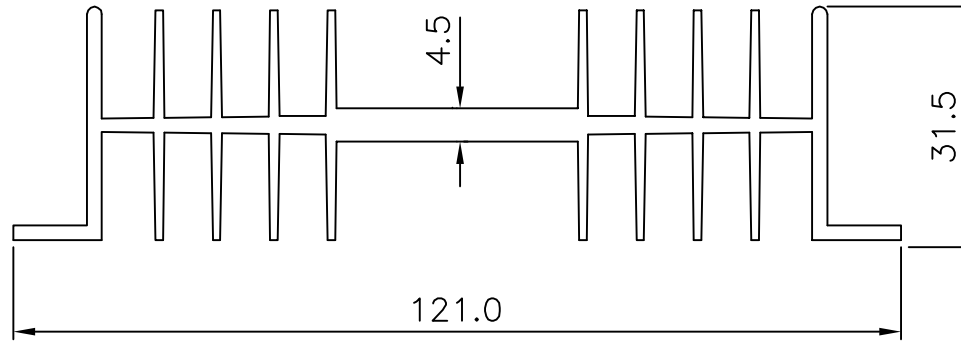
4

3

2

1

Date	Rev.	Description



DCC. NO.
A4 DRAWING NO.

MATERIAL		GOLDSUN ELECTRONICS CO., LTD.	
		JAMECO NO. 16513	GOLDSUN NO.
DRAWN: Simon Yeh		DESCRIPTION HEAT SINKS TO-3 PACKAGE BLACK ANODIZED BULK	
VERIFY PEOPLE: Penny Shi		UNIT: mm	SCALE: 1:1
		SHEET 1 OF 1	CAS No: ERN No:
			Rev. 1

C

B

A